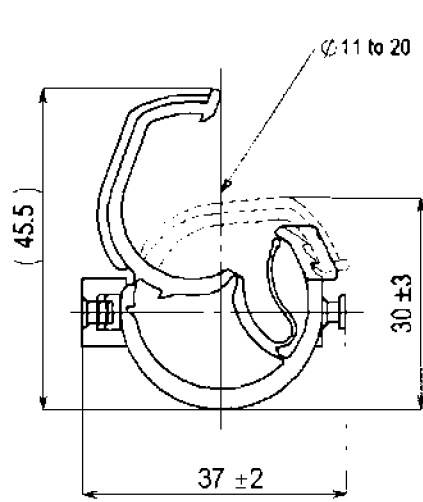
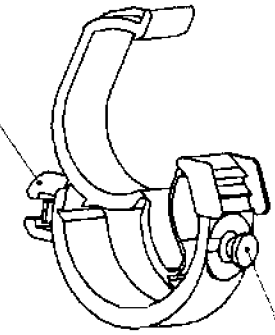


Revision level/ Indice		Revision Record désignation	Changed	Date	Approved	Date
Part Pièce	Drawing Dessin					
	01	Updated drawing :cancels and replaces drawing 13/11/96 Mise à jour du plan: annule et remplace plan du 13/11/96	P.Cherdo	17/06/02	M.Rodriguez	17/06/02



Interconnecting female device /  
dispositif femelle d'interconnection



∅5mm "T" stud  
Interconnecting male device /  
dispositif mâle d'interconnection

\* Measurements are made with application diameter in place  
\* Dimensions relevées avec les diamètres d'application en place

received  
9-19-06

ENTERED  
10-2-2006

Bundle diameter / diamètre  
11 To/à 20 mm.

Material Matière PA 6.6 BLACK NOIR  
Dimension without tolerances Cotes non tolérancées details to:

SolidWorks  
01

Drawn Dessiné par P.Cherdo 17/06/02  
Approved Approuvé par M.Rodriguez 17/06/02

Scale: Echelle 1/1 Patent / Brevet N° 85-19255

DIN 16901 /

The copyright of this drawing is reserved by HELLERMANN France. It is issued on condition that it is not reproduced, copied or disclosed to a third party, either wholly or in part, without the consent of HELLERMANN France.

**HellermannTyton**  
Tel: 01.30.13.80.00  
Fax: 01.30.13.80.60

Title Titre IAHC2T  
Interconnected Automatic Harness Clip

Tolerances PERFORMANCE SPECIFICATION

Drawing-No Plan-N° Agrafe automatique " B" Format A4  
11046

XCL-HFRA013CST

**Product Number**  
**Cross Reference Record**

Uncontrolled Document

<b>Pre-UNS Number System</b>	<b>(New) UNS Universal Number System</b>	<b>Customer Part Number</b>
Product Number  <b>IAHC2T</b>	Product Number  -	Product Number  -
Reference Drawing Number: <b>XCL-HFRA013CST(1104620044)</b>		

Issued By:	(New) UNS Product Number	Issue Date:
<b>HellermannTyton</b>	<b>Universal Numbering System</b>	<b>June 17, 2008</b>