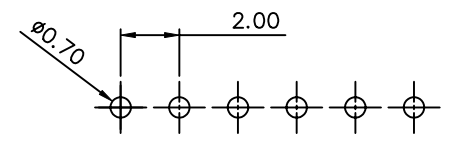
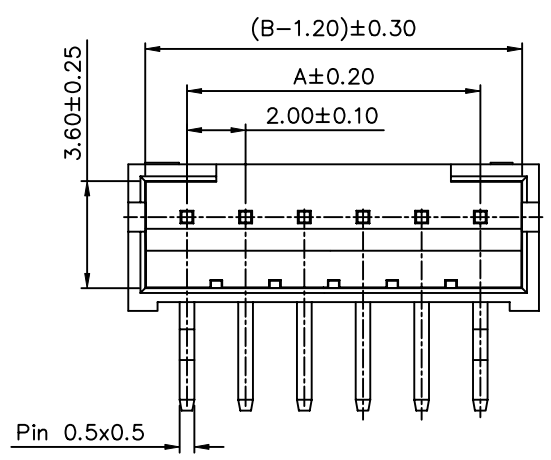
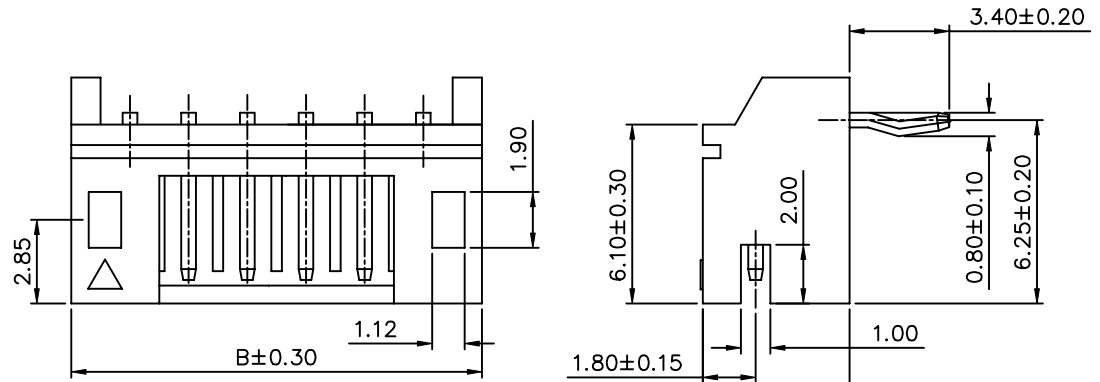


**SPECIFICATION**

Current Rating: 1A AC,DC  
 Voltage Rating: 100V AC,DC  
 Temperature Range: -25°C ~ +85°C  
 Contact Resistance: 20 Milliohms Max.  
 Insulation Resistance: 1000 Megaohms Min.  
 Withstanding Voltage: 800V AC/Minute  
 Insulator: PA66+30%GF, UL94V-0  
 Pin: Brass,  
     Underplated: Nickel  
     Whole Tin Plated  
 RoHS Compliant



Recommended P.C.B Layout(Top Side)  
 P.C.B Thickness=1.20mm  
 (Tolerance=±0.05)



Poles	Dim.A	Dim.B
2	2.00	6.00
3	4.00	8.00
4	6.00	10.00
5	8.00	12.00
6	10.00	14.00
7	12.00	16.00
8	14.00	18.00
9	16.00	20.00
10	18.00	22.00
11	20.00	24.00
12	22.00	26.00
13	24.00	28.00
14	26.00	30.00
15	28.00	32.00
16	30.00	34.00

**4UCON** 元化興業股份有限公司  
 4UCON TECHNOLOGY INC.

DRAWING No.		APPROVED BY		UNLESS OTHERWISE SPECIFIED TOLERANCES ARE ~10 ±0.15 20~30 ±0.30 30~ ±0.50 ANG ±2°
01548		MEI		
		CHECKED BY	HZF	
		DRAWING BY	PEGA	
SCALE	NONE	REV.	BO	UNIT mm

NO.	REV.	REVISIONS	CHK	DATE
△	BO	NEW RELEASE	HZF	12/05/2006