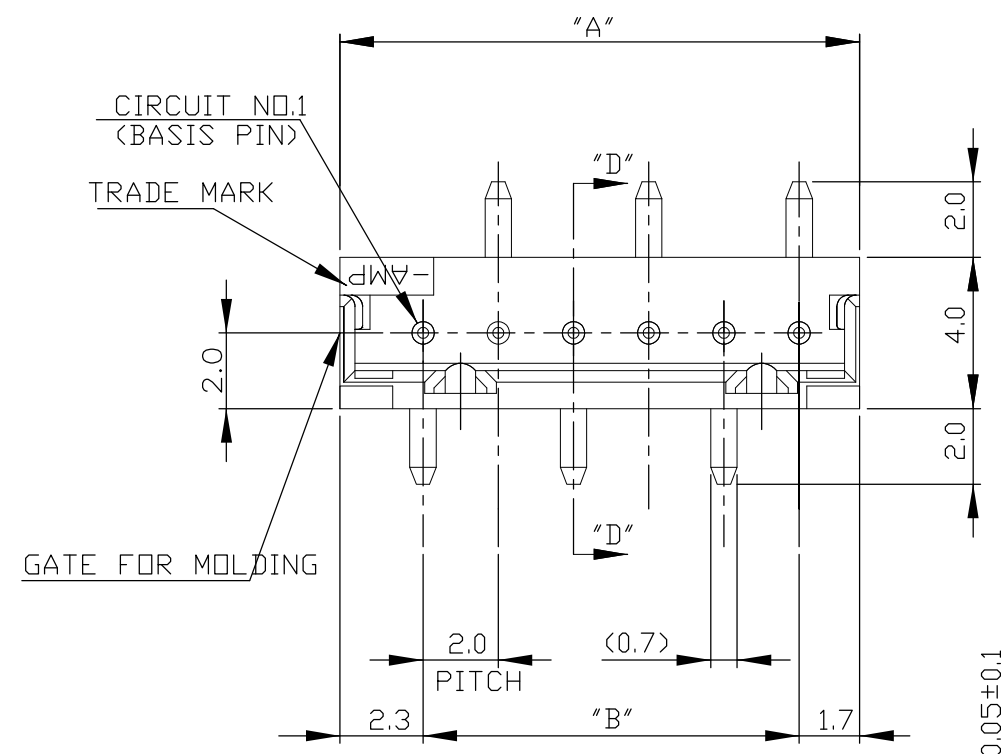
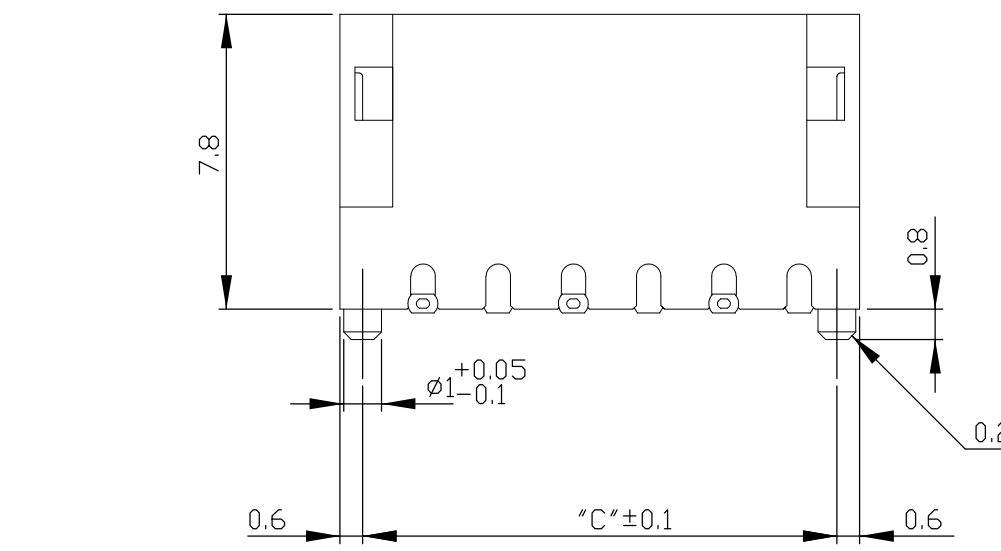


THIS DRAWING IS UNPUBLISHED. RELEASED FOR PUBLICATION  
 © COPYRIGHT - By - ALL RIGHTS RESERVED.

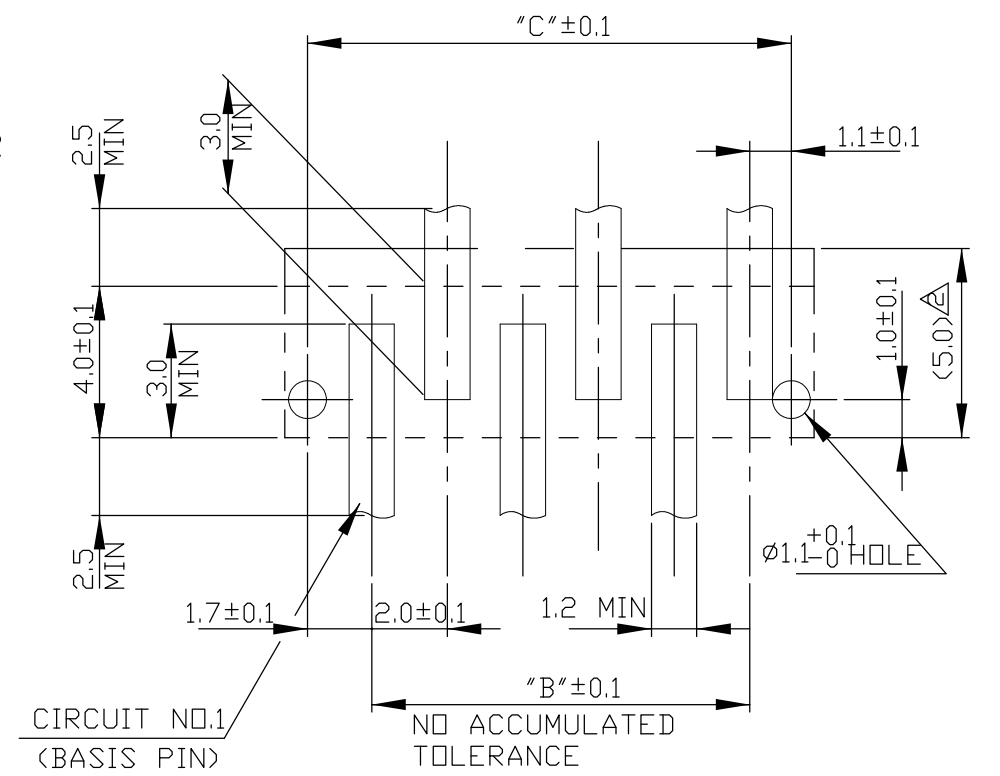
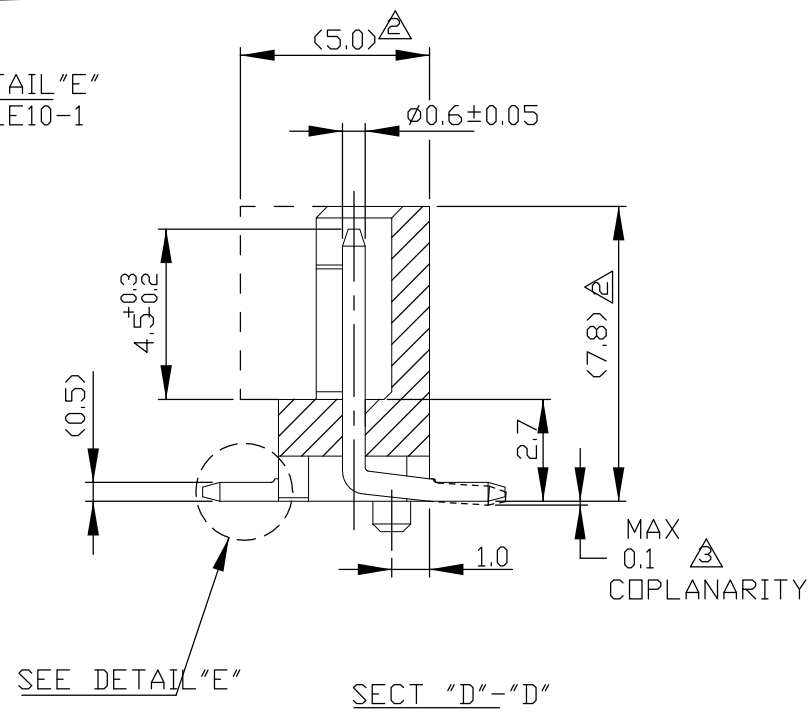
LOC	DIST	REVISIONS					
FB	00	P	LTR	DESCRIPTION	DATE	DWN	APVD
			A1	REVISED PER ECO-11-005033	26MAR11	RK	HMR



- MATERIAL: HOUSING-6T PA G.F.30%(UL94V0)  
 COLOR- BLACK OR NATURAL  
 POST- TIN BRASS
- OCCUPANT AREA ON PC BOARD  
 (AFTER CONNECTOR MATING)
- TO BE MEASURED WITH CONNECTOR PLCD ON  
 HORIZONTAL DATUM SURFACE, FLOAT OF SOLDER  
 TINE FROM DATUM SURFACE IS 0.1mm MAX.
- TUBE P/N 8-720999-6
- PRODUCT MUST COME OUT SMOOTHLY FROM  
 TUBE AT INCLINING THE TUBE TO 45°

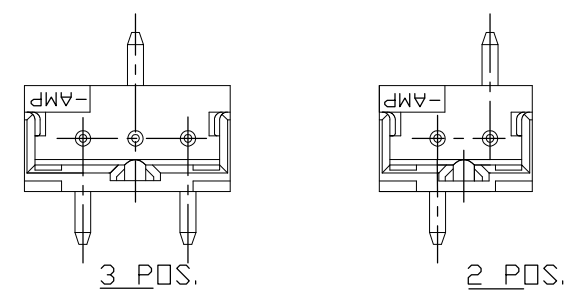


DETAIL "E"  
 SCALE 10-1



RECOMMENDED P.C.BOARD  
 (P.C.B. THK:0.8mm MIN)

20	20.0	16.0	18.8	9	6-292171-9	292171-9
25	18.0	14.0	16.8	8	6- -8	-8
30	16.0	12.0	14.8	7	6- -7	-7
30	14.0	10.0	12.8	6	6- -6	-6
40	12.0	8.0	10.8	5	6- -5	-5
45	10.0	6.0	8.8	4	6- -4	-4
60	8.0	4.0	6.8	3	6- -3	-3
80	6.0	2.0	4.8	2	6-292171-2	292171-2
QTY'S/ TUBE	"A"	"B"	"C"	POS.	NATURAL	BLACK



TOLERANCES UNLESS OTHERWISE SPECIFIED:

10 > *	: ±0.2
30 > * > 10	: ±0.25
100 > * > 30	: ±0.3
ANGEL	: ±3°

THIS DRAWING IS A CONTROLLED DOCUMENT.

DIMENSIONS: mm	TOLERANCES UNLESS OTHERWISE SPECIFIED: 0 PLC ± - 1 PLC ± - 2 PLC ± - 3 PLC ± - 4 PLC ± - ANGLES ± - FINISH	DWN J.JIANG 23JAN03	 TE Connectivity TUBE PACKING AMP CT CONN POST HDR ASS'Y (STD-V SMT)		
MATERIAL	APVD S.YAO 23JAN03	CHK S.YAO			
	APVD T.SASAKI 23JAN03	APVD T.SASAKI 23JAN03			
	PRODUCT SPEC 108-60016	NAME			
	APPLICATION SPEC	SIZE	CAGE CODE	DRAWING NO	RESTRICTED TO
	CUSTOMER DRAWING	WEIGHT	A300779	C-292171	-
		SCALE	1:1	SHEET	1 OF 1
				REV	A1