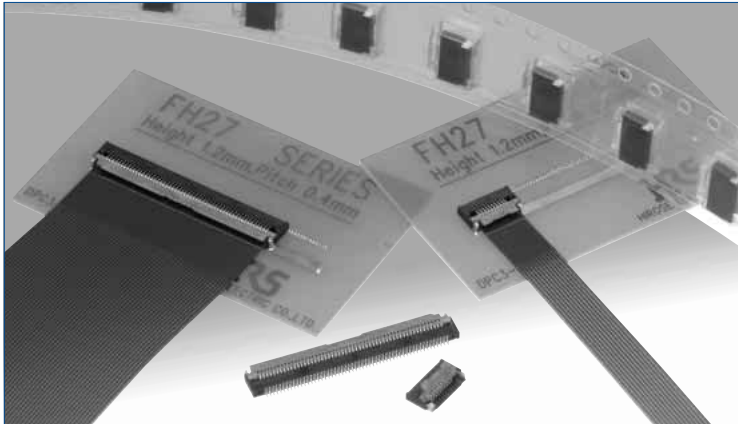


0.4 mm Contact Pitch, 1.2 mm above the board, Flexible Printed Circuit ZIF Connectors

FH 27 Series



Overview

Continuous miniaturization of personal mobile devices created a need for a low profile, high density interconnection system. In the same time, the demand for higher currents and higher reliability Flexible Printed Circuits has also increased. Hirose meets all these challenges with introduction of this connector.

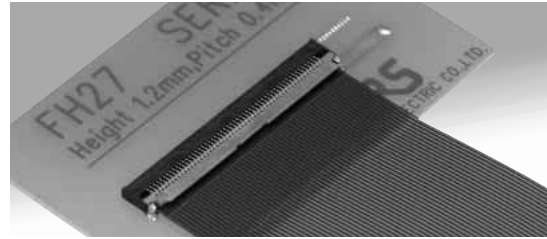
Features

- 1. Low profile, small PCB mounting area, weight reduction**
 Protruding only 1.2 mm above the board the connector occupies 50% less area than comparable type having contacts spaced on 0.5 mm centers. Creative design, coupled with high manufacturing capabilities resulted in extremely low weight of the connector.
- 2. Higher current carrying capacity**
 Contact spacing of 0.4 mm allows production of wider and simpler pattern of conductive traces on FPC.
- 3. FPC temporary hold and verification of correct insertion**
 The connector has built-in FPC hold protrusions allowing the tactile feel of the correct FPC insertion and holding it in position before closing of the actuator.
- 4. Uses standard 0.2 mm thick FPC**
- 5. One-finger operation of the actuator**
 Proven (in several other Hirose's connectors!) Flip-Lock rotating actuator assures reliable mechanical and electrical connection with FPC, confirming it with a definite tactile feel.
- 6. Board placement with automatic equipment**
 Flat top surface and packaging on the tape-and-reel allows the use of vacuum nozzles. Standard reel contains 2,500 connectors.
- 7. Environmental considerations**
 The center cores of the embossed tape reels are made of Styrofoam.
- 8. Variety of contact positions**
 Available with 10, 40, 50, 54, 57 and 60 pos.

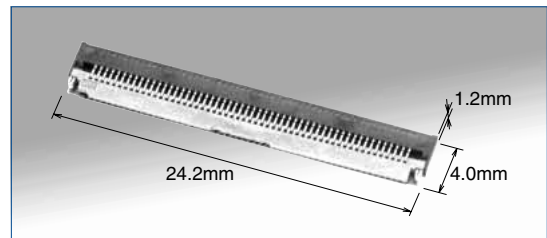
Applications

Mobile phones, PDA's, digital cameras, digital video cameras, LCD connections, plasma displays (PDP), camera modules and other compact devices requiring Flexible Printed Circuit connections using high reliability ultra-small profile connectors

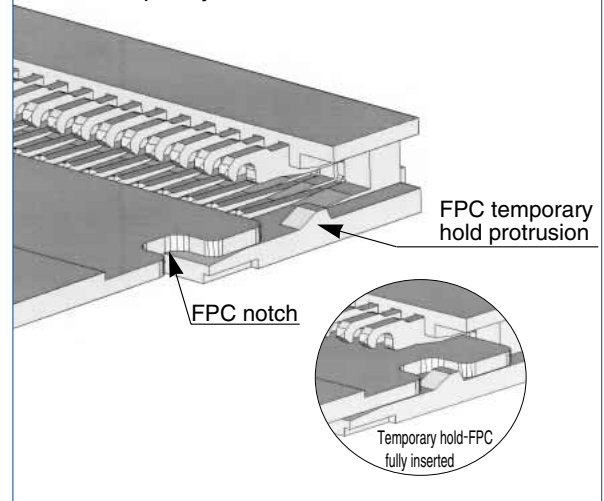
- FPC thickness: 0.2±0.03 mm



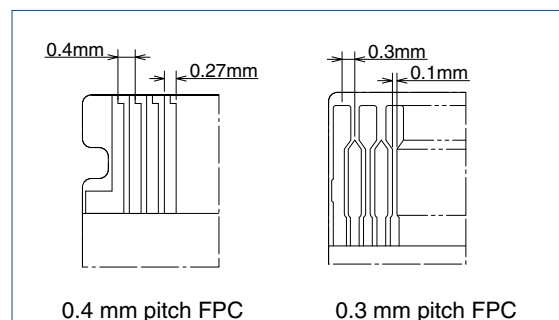
- 1.2 mm Height, actuator fully closed. (54 pos. shown)



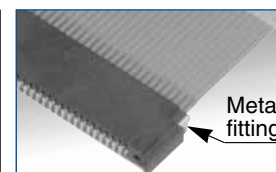
- FPC temporary retention



- Wider FPC conductive traces



Metal fittings on each side do not protrude out allowing side-by-side mounting of the connectors or closer component placement.



Product Specifications

Rating	Rated current 0.4 A DC(Note 1) Rated voltage 40 V AC	Operating temperature range -55°C to +85°C (Note 2) Operating humidity range Relative humidity 90% max. (No condensation)	Storage temperature range -10°C to +50°C (Note 3) Storage humidity range Relative humidity 90% max.
--------	---	--	--

Recommended FPC	Thickness: = 0.2±0.03mm tin-lead plated (Note 3)
-----------------	--

Item	Specification	Conditions
1. Insulation resistance	500 M Ω min.	100 V DC
2. Withstanding voltage	No flashover or insulation breakdown.	120 V AC /one minute
3. Contact resistance	100 m Ω max. * Including FPC conductor resistance	1 mA
4. Durability (insertion/ withdrawal)	Contact resistance: 100 m Ω max. No damage, cracks, or parts dislocation.	20 cycles
5. Vibration	No electrical discontinuity of 1 μs or more. Contact resistance: 100 m Ω max. No damage, cracks, or parts dislocation.	Frequency: 10 to 55 Hz, single amplitude of 0.75 mm, 10 cycles in each of the 3 directions.
6. Shock	No electrical discontinuity of 1 μs. min. Contact resistance: 100 m Ω max. No damage, cracks, or parts dislocation.	Acceleration of 981 m/s ² , 6ms duration, sine half-wave waveform, 3 cycles / each of 3 axis
7. Humidity (Steady state)	Contact resistance: 100 m Ω max. Insulation resistance: 50 M Ω min. No damage, cracks, or parts dislocation.	96 hours at 40°C and humidity of 90% to 95%.RH
8. Temperature cycle	Contact resistance: 100 m Ω max. Insulation resistance: 50 M Ω min. No damage, cracks, or parts dislocation.	Temperature: -55°C → +15°C to +35°C → +85°C → +15°C to +35°C Time: 30 → 2 to 3 → 30 → 2 to 3 (Minutes) 5 cycles
9. Resistance to soldering heat	No deformation of components affecting performance.	Reflow: At the recommended temperature profile Manual soldering: 350°C±10°C for 5 seconds

Note 1: When passing the current through all of the contacts, use 70% of the current rating.

Note 2: Includes temperature rise caused by current flow.

Note 3: The term "storage" refers to products stored for long period of time prior to mounting and use. Operating Temperature Range and Humidity range covers non- conducting condition of installed connectors in storage, shipment or during transportation.

Materials

Part	Material	Finish	Remarks
Insulator	LCP	Color: Black	UL94V-0
Actuator	LCP	Color: Brown	
Contacts	Phosphor bronze	Gold plated (Note 3)	_____
Metal fittings	Phosphor bronze	Tin plated	_____

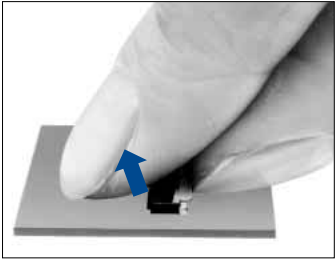
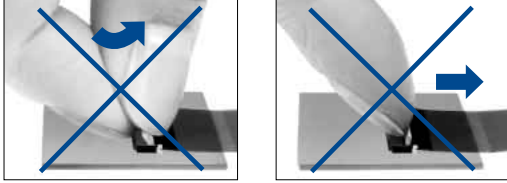
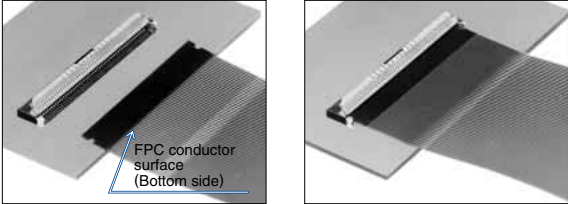
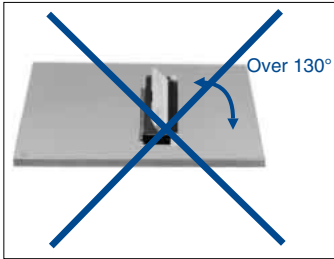
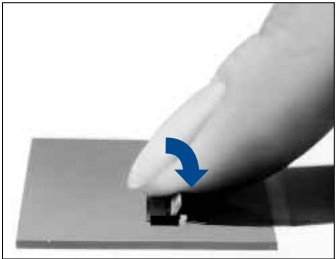
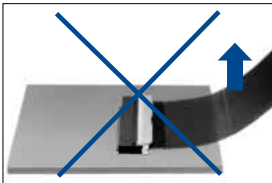
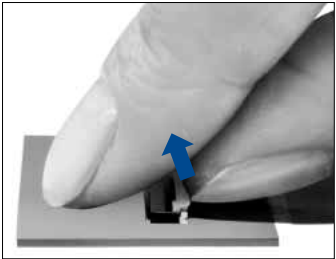
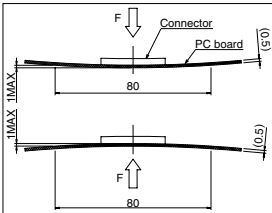
Ordering information

FH27 - 54S - 0.4 SH (05)

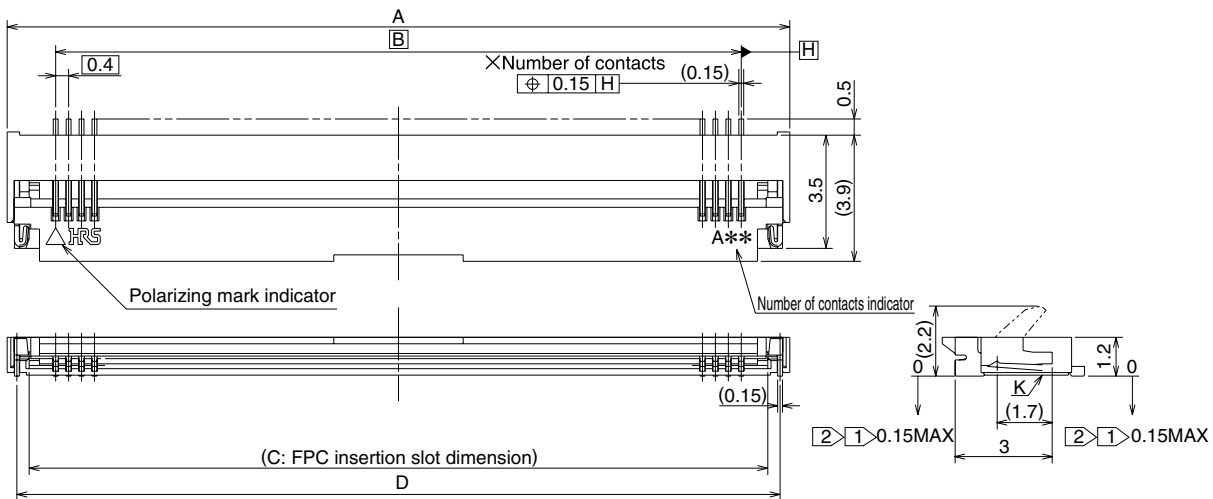
① ② ③ ④ ⑤

① Series name: FH27	④ Terminal type SH: SMT horizontal mounting type
② No. of contacts Number of contacts: 10, 40, 50, 54, 57, 60	
③ Contact pitch: 0.4 mm	⑤ Plating code (05): Gold plated(40,50,60contacts)(RoHS compliant) (15): Gold plated(10,54,57contacts)(RoHS compliant)

◆ Operation and Precautions

Operation	Precautions
<p>1.FPC insertion procedure. Connector installed on the board.</p> <p>① Lift up the actuator. Use thumb or index finger.</p> 	<p>① Do not apply excessive force or use any type of tool to operate the actuator.</p> 
<p>② Fully insert the FPC in the connector parallel to mounting surface, with the exposed conductive traces facing down.</p> 	<p>② The connector will assure reliable performance when the actuator is open to 130° maximum. Do not exceed this angle, as this may cause permanent damage to the connector.</p> 
<p>③ Rotate down the actuator until firmly closed. It is critical that the inserted FPC is not moved and remains fully inserted.</p> 	<p>③ Exercise caution when applying upward force to the connected FPC.</p> 
<p>2.FPC removal</p> <p>① Lift up the actuator. Carefully withdraw the FPC.</p> 	<p>④ The connectors are straight within 0.1 mm max. Make sure that the PC board connector mounting area flatness can accept the connector terminals without causing any failure of the solder joints.</p> 

Connector Dimension



- Notes
- ① Lead co-planarity including reinforced metal fittings shall be 0.1 MAX.
 - ② The contact terminal lead position indicates the dimension from the K surface, the bottom surface of the insulator body.
 - 3 Packaging for this product is embossed carrier tape packaging. Refer to packaging specification.
 - 4 Note that preventive hole for sink mark could be added for improvement.
The quality remains good, even with the dark spots, which could occasionally occur on molded plastic.

Unit: mm

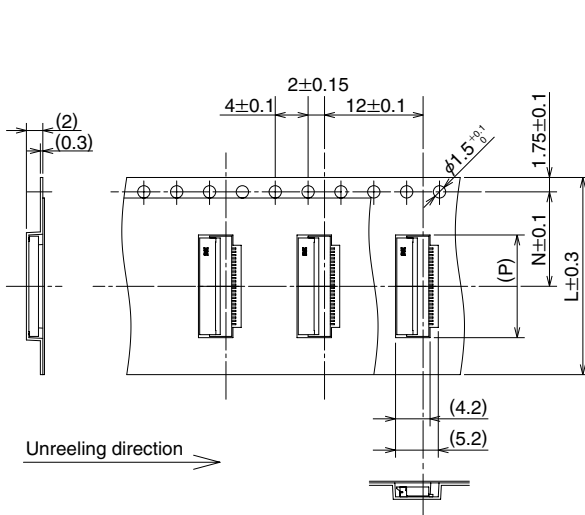
Part Number	CL No.	Number of Contacts	A	B	C	D	RoHS
FH27-10S-0.4SH(15)	CL580-0004-0-15	10	6.6	3.6	5.24	6.0	YES Note1
FH27-40S-0.4SH(05)	CL580-0005-3-05	40	18.6	15.6	17.24	18.0	
FH27-50S-0.4SH(05)	CL580-0010-3-05	50	22.6	19.6	21.24	22.0	
FH27-54S-0.4SH(15)	CL580-0001-2-15	54	24.2	21.2	22.84	23.6	
FH27-57S-0.4SH(15)	CL580-0003-8-15	57	25.4	22.4	24.04	24.8	
FH27-60S-0.4SH(05)	CL580-0006-6-05	60	26.6	23.6	25.24	26.0	

- Note 1 : Refer to "Ordering information".
 Note 2 : Tape and reel packaging (2,500 pieces/reel).
 Order by number of reels.

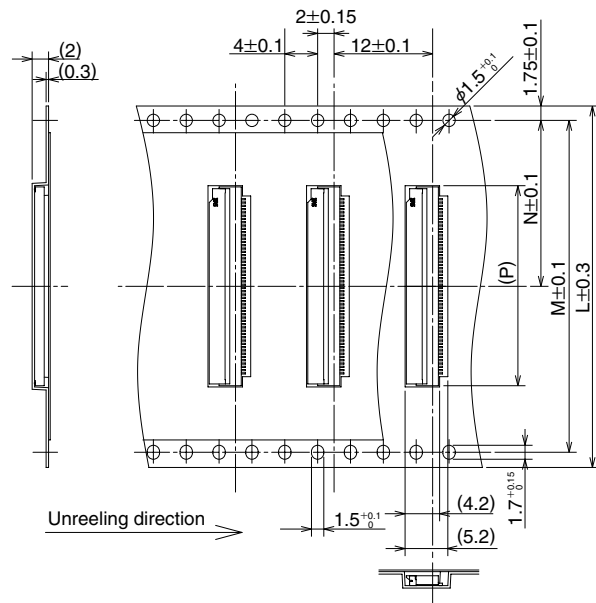
◆ Packaging Specification

● Embossed Carrier Tape Dimensions

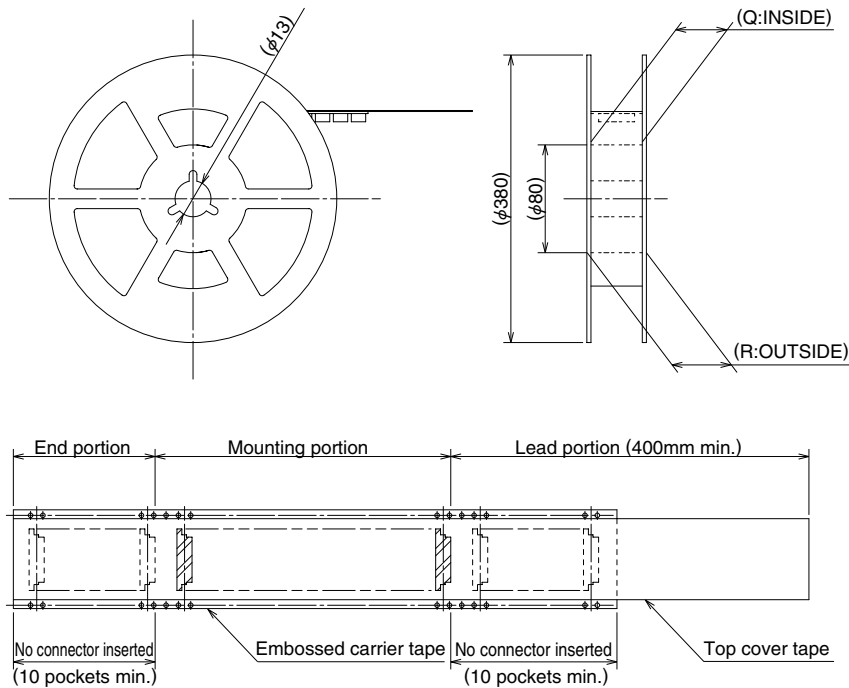
● Tape width up to 24mm .



● Tape width 32mm and over.



● Reel Dimensions



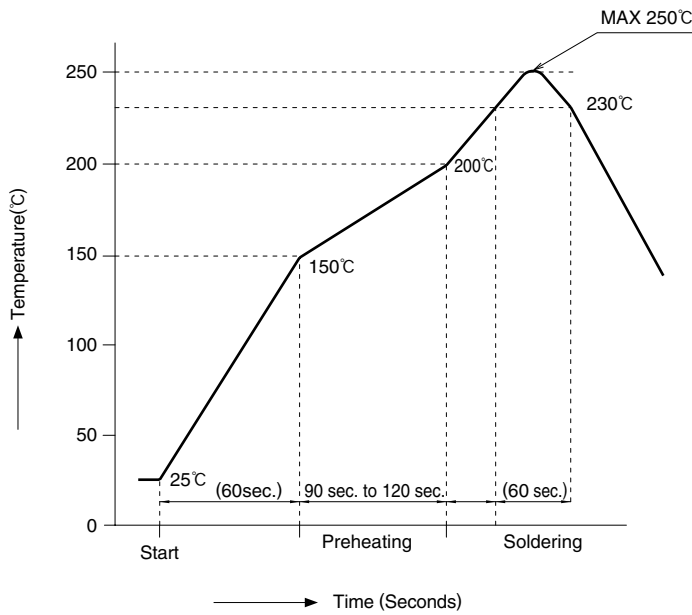
Unit: mm

Part Number	CL No.	Number of Contacts	L	M	N	P	Q	R
FH27-10S-0.4SH(15)	CL580-0004-0-15	10	16.0	—	7.5	6.9	17.4	21.4
FH27-40S-0.4SH(05)	CL580-0005-3-05	40	32.0	28.4	14.2	18.9	33.4	37.4
FH27-50S-0.4SH(05)	CL580-0010-3-05	50	44.0	40.4	20.2	22.9	45.4	49.4
FH27-54S-0.4SH(15)	CL580-0001-2-15	54	44.0	40.4	20.2	24.5	45.4	49.4
FH27-57S-0.4SH(15)	CL580-0003-8-15	57	44.0	40.4	20.2	25.7	45.4	49.4
FH27-60S-0.4SH(05)	CL580-0006-6-05	60	44.0	40.4	20.2	26.9	45.4	49.4

2,500 pieces per reel.

◆ Recommended Temperature Profile

● Using Lead-free Solder Paste



HRS test condition

Solder method :Reflow, IR/hot air

(Nihon Den-netsu Co., Ltd.'s Part Number:
SENSBY NR- II)

Environment :Room air

Solder composition :Paste, 96.5%Sn/3.0%Ag/0.5%Cu
(Senju Metal Industry, Co., Ltd.'s Part Number:
M705-221CM5-42-10.5)

Test board :Glass epoxy 45mm×100mm×1.6mm thick
Land dimensions:0.23mm×0.8mm

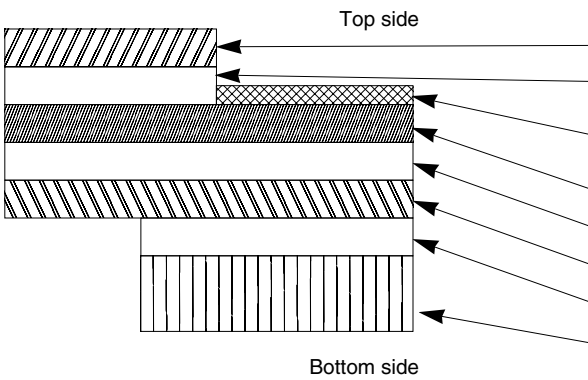
Metal mask :0.2×0.8×0.12mm thick

The temperature profiles shown are based on the above conditions.

In individual applications the actual temperature may vary, depending on solder paste type, volume / thickness and board size / thickness. Consult your solder paste and equipment manufacturer for specific recommendations.

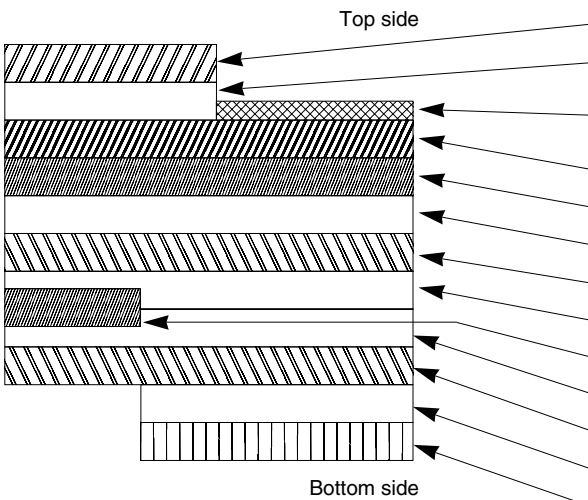
◆ FPC Construction (Recommended Specifications)

1. Using Single-sided FPC



Material Name	Material	Thickness (μm)
Covering layer film	Polyimide 1 mil thick.	25
Cover adhesive		25
Surface treatment	1 to 5 micron nickel underplated 0.2 micron gold palated	3
Copper foil	Cu 1oz	35
Base adhesive		25
Base film	Polyimide 1 mil thick	25
Reinforcement material adhesive	Thermosetting adhesive	30
Stiffener	Polyimide 3 mil thick	75
Total		193

2. Using Double-sided FPC



Material Name	Material	Thickness (μm)
Covering layer film	Polyimide 1 mil thick	25
Cover adhesive		25
Surface treatment	1 to 5 micron nickel underplated 0.2 micron gold palated	3
Through-hole copper	Cu	15
Copper foil	Cu 1/2oz	18
Base adhesive		18
Base film	Polyimide 1 mil thick	25
Base adhesive		18
Copper foil	Cu 1/2oz	18
Cover adhesive		25
Covering layer film	Polyimide 1 mil thick	25
Reinforcement material adhesive	Thermosetting adhesive	25
Stiffener	Polyimide 1 mil thick	25
Total		197

To prevent release of the lock due to FPC bending, use of the FPC with copper foil on bottom side is not recommended.