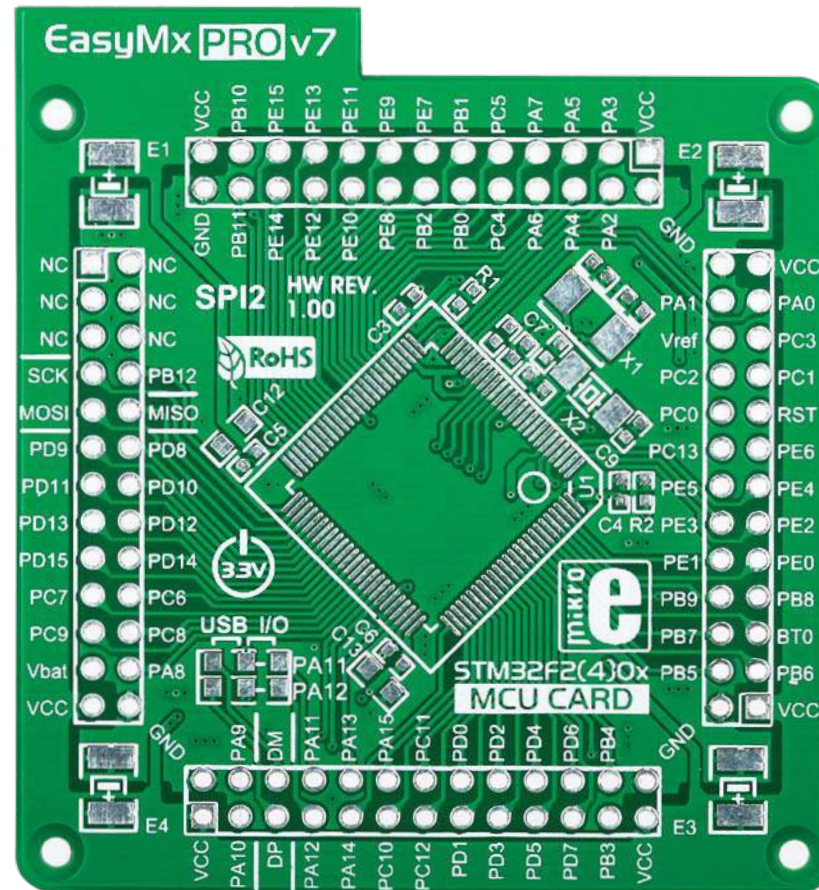


# Empty HP MCU card for 100-pin TQFP STM32F2(4)0x family



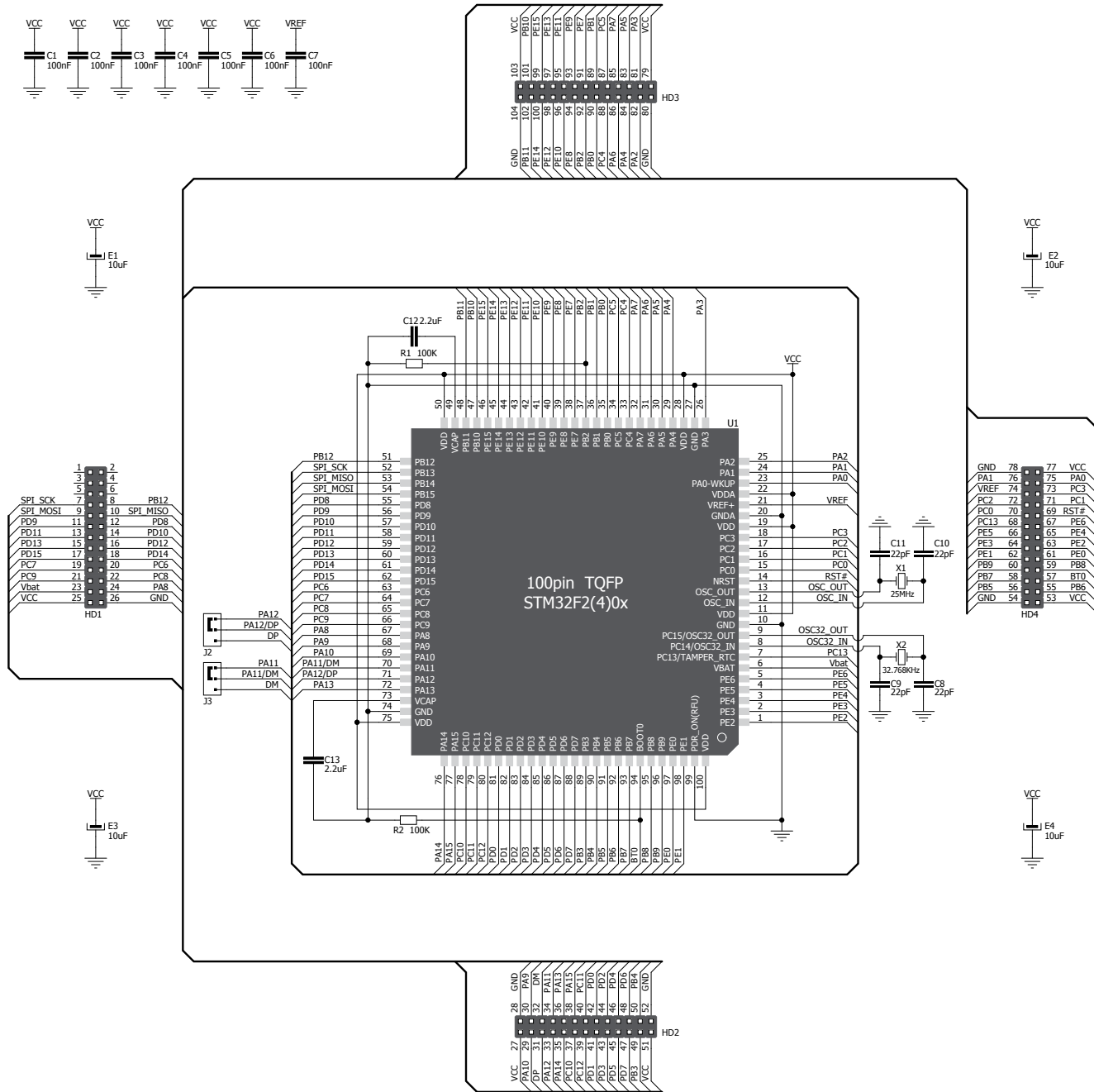


Figure 1: MCU card schematics

# Card dimensions

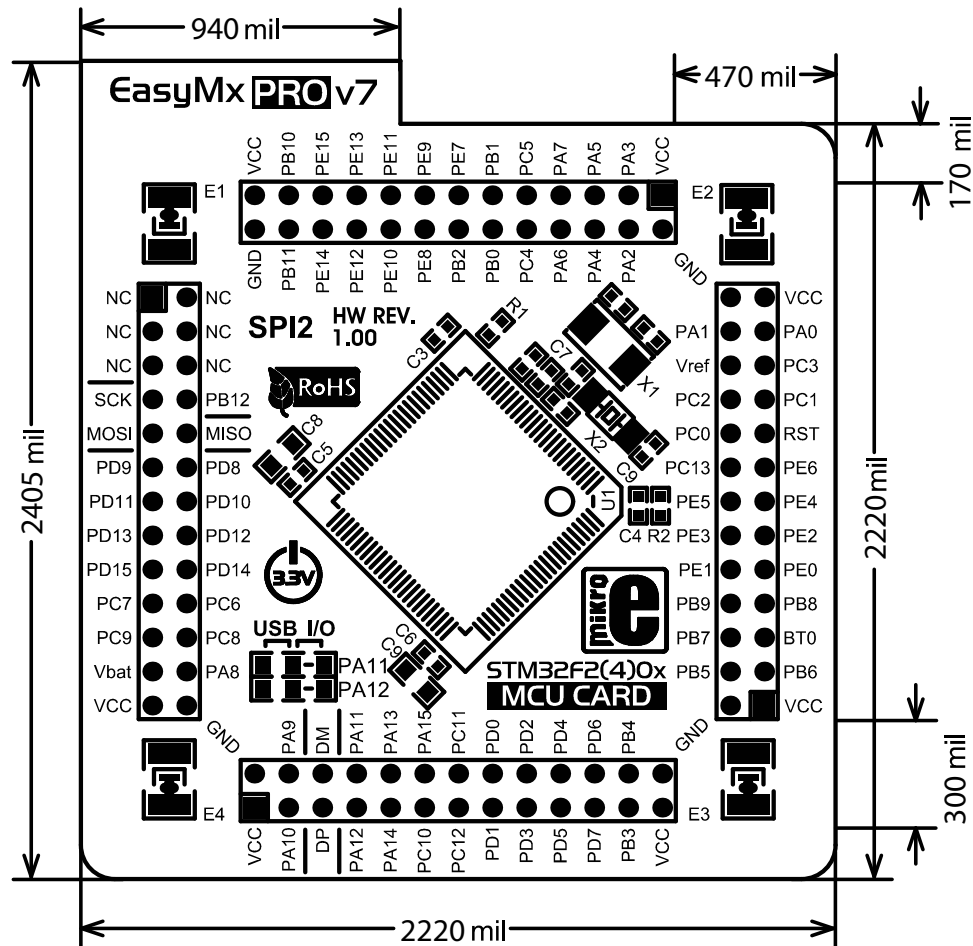


Figure 2: MCU card dimensions. Values are in mils.



If you want to learn more about our products, please visit our web site at [www.mikroe.com](http://www.mikroe.com)

If you are experiencing some problems with any of our products or just need additional information, please place your ticket at [www.mikroe.com/esupport](http://www.mikroe.com/esupport)

If you have any questions, comments or business proposals, do not hesitate to contact us at [office@mikroe.com](mailto:office@mikroe.com)