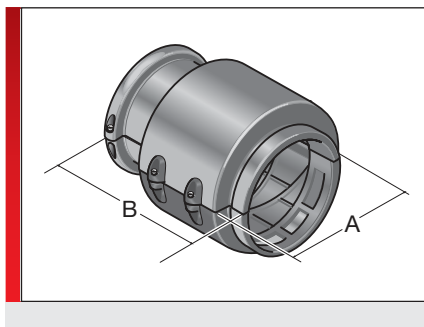


## KEG-AK telescopic joint



with SH and ZS70

### PRODUCT INFORMATION

The extendible KEG/AK telescopic joint makes a length adjustment of approx. 30 mm possible. The conduit connection piece can be pivoted by approx. 20° in all directions and can therefore adapt to the dresspack movements. If used in conjunction with the strain-relief

systems ZS-70 or ZS-70-KB it provides optimum wear protection, even when using heavy media packages.

### SPECIFICATIONS

- Mod. polyamide
- 40 – 110 °C
- V0

RoHS
 HF
 Made in Germany

Type	Order No.	Colour	Suitable for Murrflex	Suitable for System holder	Version	A mm	B mm	C mm	Pack qty.
KEG/AK-70	83692480	Black	NW70	SH 56/70	separable	105.00	120.00		1

Suitable for

Mod. polyamide

### THERMAL PROPERTIES

**Temperature / temperature range**  
-40 – 110 °C

### FIRE BEHAVIOUR

**Fire classification**  
V0

### APPROVALS AND OPERATING PERMITS

**ROBI approval**

### TECHNICAL INFORMATION

**Halogen-free**

### CONFORMITY

**RoHS (EC Directive 202/95/EC)**

## KEG-AK telescopic joint

### GENERAL INFORMATION



Made in Germany

All details given in our sales material prospectuses and catalogues as well as the information available online are based on our current knowledge of the products described.

The electronic data and files made available by Murrplastik, particularly CAD files are based on our current knowledge of the product described.

A legally binding assurance of certain properties or the suitability for a certain purpose can not be determined from this information.

All information with respect to the chemical and physical properties of Murrplastik products as well as application advice given verbally, in writing or by tests, is given to the best of our knowledge.

This does not free the purchaser of carrying out their own inspections and tests in order to determine the suitability of a product for a specific purpose.

Murrplastik accepts no responsibility for the available information being up-to-date, correct or complete. Neither do we accept responsibility for the quality of this information.

Murrplastik accepts no liability for damage caused as a result of using our products.

Murrplastik reserves the right to make technical changes and improvements through constant further development of products and services.

Our General Terms and Conditions apply.

© Murrplastik Systemtechnik GmbH • proID\_96558~20170601~890283~aur\_gsa