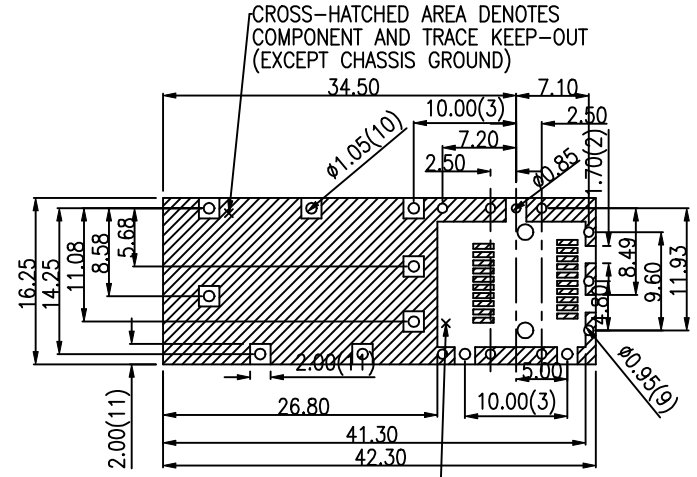
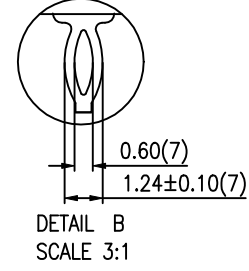
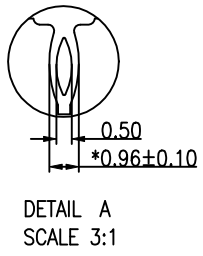
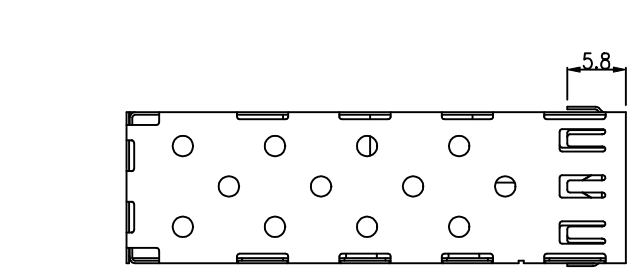
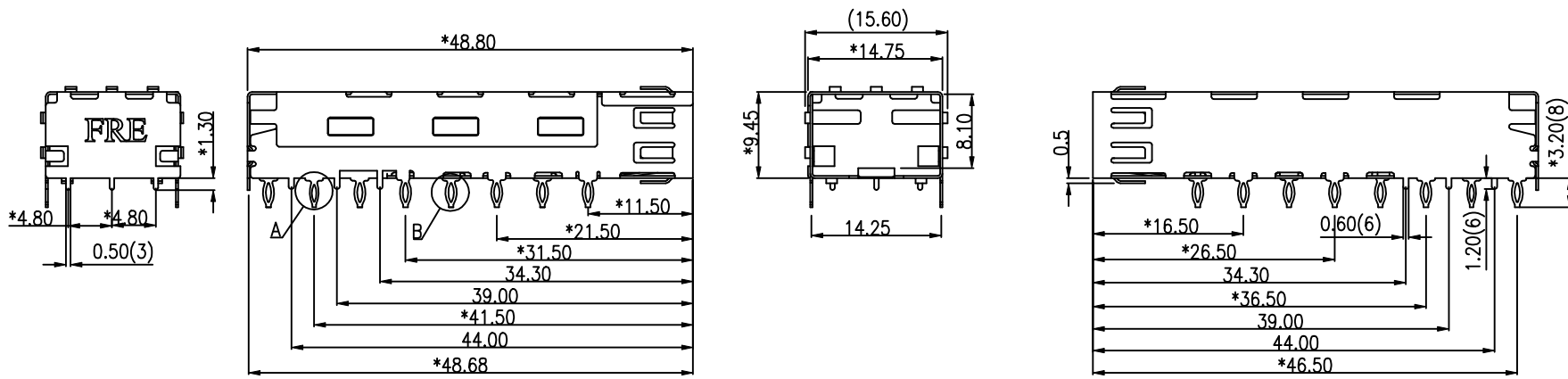


REVISION RECORD				
REV	ECO	DESCRIPTION	DRFT	CHKD
▲		Modify Design	yanglan 10/07/05	



NOTE:
MECHANICAL:
SHIELD(CAGE) MATERIAL:
1. THICKNESS=0.25mm, C5191H.
2. PLATED: SELECTIVE PLATED OVER NICKEL
PLATED NICKEL 50u"~110u" ▲
OR PLATED TIN 100u"~180u".

PART NUMBER : E81M0-WXY8X-L

1-W/O LOGO C5191H A-TIN
C-W/FRE C5191H B-NICKEL

DETACHED LISTS	MM (INCH)		DFTO YANGLAN	DATE 06/08/05'	FULL RISE ELECTRONIC CO., LTD	
	TOLERANCES EXCEPT AS NOTED		CHKD JACK	DATE 2005/10/07		
	MM	±	MFO	DATE	TITLE SFP CAGE	
	.0 ±0.20	±	APPV LUSHENG	DATE 2005/10/07		
.00 ±0.15	±	MATERIAL :		DRAWING NO. GE813032		
.000 ±0.075	±	ANGLES ±		/PART NO. SEE NOTE		
THIRD ANGLE PROJECTION		FINISH :		DO NOT SCALE DRAWING		
		SCALE : 2:1		SHEET X OF Y		