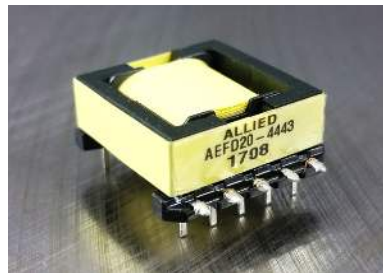




Flyback Transformer

AEFD20-4443

- EFD20 Core Through Hole Package
- 12W~14W Transformer
- Operating Ambient Temperature Range: -10°C to +85°C
- 1200Vac Hi Pot



Primary Electrical Specifications @ 25°C

S - F	INDUCTANCE @100KHz, 1V	LEAKAGE INDUCTANCE @100KHz, 1V	DCR (Ω Max)
3 - 1	650μH ± 10%	10μH Max	1.6
5 - 4	—	—	1.3

Secondary Electrical Specifications @ 25°C

S - F	INDUCTANCE @100KHz, 1V	LEAKAGE INDUCTANCE @100KHz, 1V	DCR (mΩ Max)
10 - 9	—	—	175
6 - 7	—	—	900

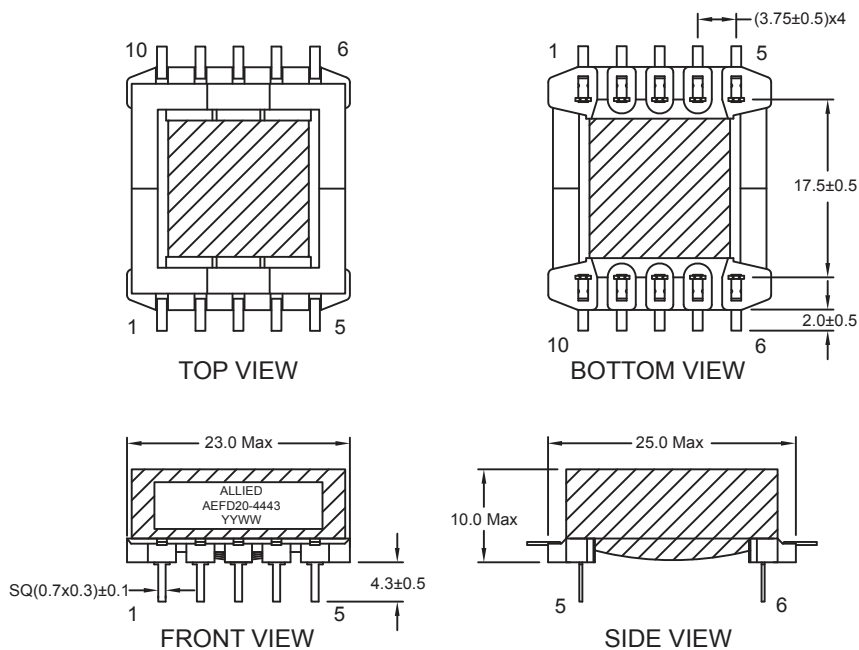
Hi - Pot / Insulation Resistance

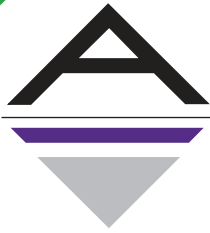
LOCAT. / DESC.	PRI - PRI	PRI - SEC	SEC - SEC	PRI - CORE	SEC - CORE
HI-POT (50Hz/60Hz)	—	3600VAC 5mA, 3Sec	—	1200VAC 5mA, 3Sec	1200VAC 5mA, 3Sec
INSULATION RESISTANCE	—	500VDC 100mΩ Min	—	500VDC 100mΩ Min	500VDC 100mΩ Min

All specifications subject to change without notice.

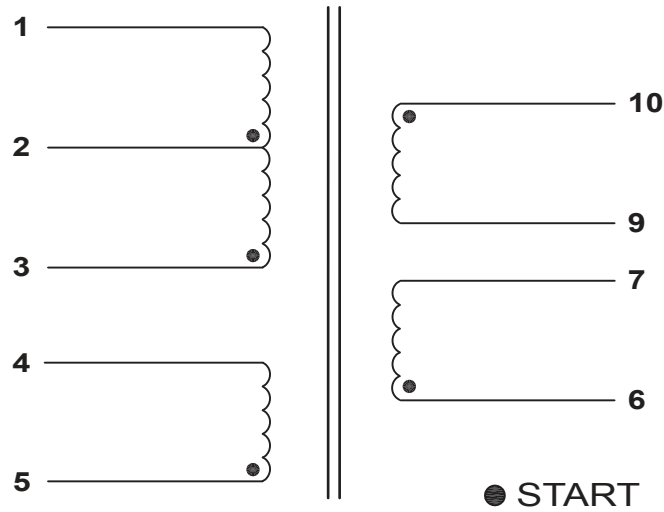
MECHANICAL

Dimensions: mm





SCHEMATIC



CONSTRUCTION

