

## Printed-circuit board connector - DMC 1,5/ 3-G1-3,5 P20THR R24-2 - 1816140

Please be informed that the data shown in this PDF Document is generated from our Online Catalog. Please find the complete data in the user's documentation. Our General Terms of Use for Downloads are valid (<http://phoenixcontact.com/download>)



Header, Nominal current: 8 A, Rated voltage (III/2): 160 V, Number of positions: 3, Pitch: 3.5 mm, Color: black, Contact surface: Tin, Assembly: Taped SMD/THT/THR components

The figure shows a 10-pos. version with 20 contacts

### Product Features

- ✓ Headers with flange can be combined with plugs with screw flange or with Lock & Release levers
- ✓ At 8 mm, the distance from the edge of the PCB to the first row of holes is compatible with MC headers
- ✓ Extremely small THR double-level headers for SMT and wave soldering processes



### Key commercial data

Packing unit	1 pc
Minimum order quantity	180 pc
Weight per Piece (excluding packing)	3.666 GRM
Custom tariff number	85366990
Country of origin	Germany

### Technical data

#### Dimensions

Length	11.6 mm
Height	12.8 mm
Pitch	3.5 mm
Dimension a	7 mm
Pin dimensions	0,8 x 0,8 mm
Pin spacing	2.50 mm
Hole diameter	1.4 mm

# Printed-circuit board connector - DMC 1,5/ 3-G1-3,5 P20THR R24-2 - 1816140

## Technical data

### General

Range of articles	DMC 1,5/...G1-THR
Insulating material group	IIIa
Rated surge voltage (III/3)	2.5 kV
Rated surge voltage (III/2)	2.5 kV
Rated surge voltage (II/2)	2.5 kV
Rated voltage (III/3)	160 V
Rated voltage (III/2)	160 V
Rated voltage (II/2)	250 V
Connection in acc. with standard	EN-VDE
Nominal current $I_N$	8 A
Maximum load current	8 A
Insulating material	LCP
Inflammability class according to UL 94	V0
Color	black
Number of positions	3

## Classifications

### eCl@ss

eCl@ss 4.0	272607xx
eCl@ss 4.1	27260701
eCl@ss 5.0	27260701
eCl@ss 5.1	27260701
eCl@ss 6.0	27260704
eCl@ss 7.0	27440402
eCl@ss 8.0	27440402

### ETIM

ETIM 3.0	EC001121
ETIM 4.0	EC002637
ETIM 5.0	EC002637

### UNSPSC

UNSPSC 6.01	30211810
UNSPSC 7.0901	39121409
UNSPSC 11	39121409

# Printed-circuit board connector - DMC 1,5/ 3-G1-3,5 P20THR R24-2 - 1816140

## Classifications

### UNSPSC

UNSPSC 12.01	39121409
UNSPSC 13.2	39121409

## Approvals

### Approvals


#### Approvals


UL Recognized / cUL Recognized / VDE Gutachten mit Fertigungsüberwachung / IECCEB CB Scheme / cULus Recognized

#### Ex Approvals

#### Approvals submitted

## Approval details

UL Recognized 		
	B	C
Nominal current IN	8 A	8 A
Nominal voltage UN	150 V	50 V

cUL Recognized 		
	B	C
Nominal current IN	8 A	8 A
Nominal voltage UN	150 V	50 V

# Printed-circuit board connector - DMC 1,5/ 3-G1-3,5 P20THR R24-2 - 1816140

## Approvals

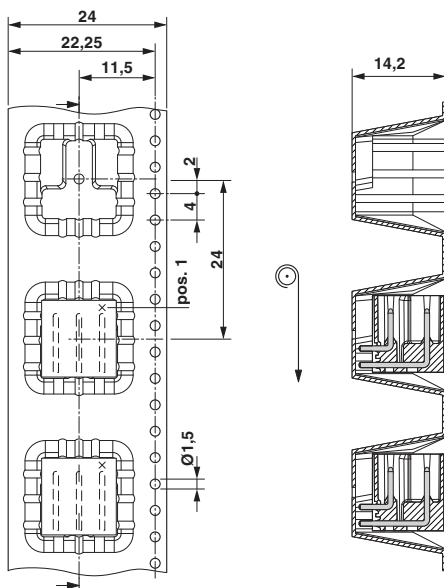
VDE Gutachten mit Fertigungsüberwachung	
Nominal current IN	8 A
Nominal voltage UN	160 V

IECEE CB Scheme	
Nominal current IN	8 A
Nominal voltage UN	160 V

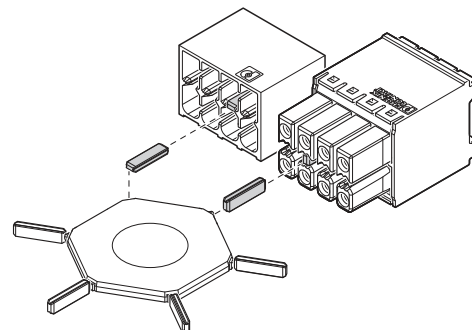
cULus Recognized	
------------------	--

## Drawings

Dimensioned drawing



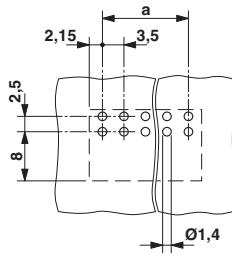
Schematic diagram



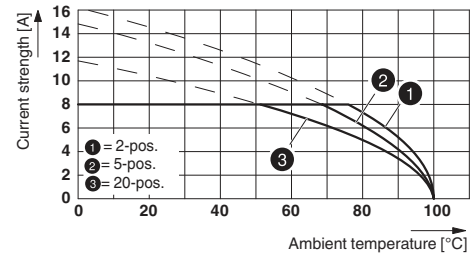
Use of the CP-DMC... coding profile

# Printed-circuit board connector - DMC 1,5/ 3-G1-3,5 P20THR R24-2 - 1816140

Drilling diagram



Diagram



Dimensioned drawing

