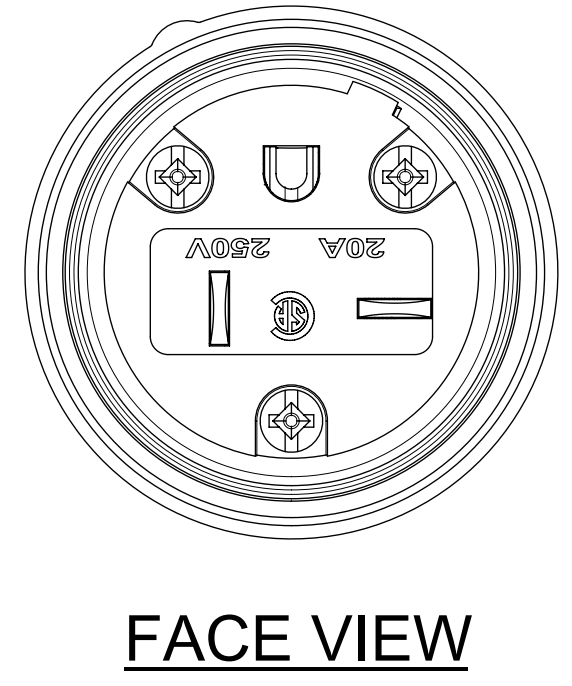
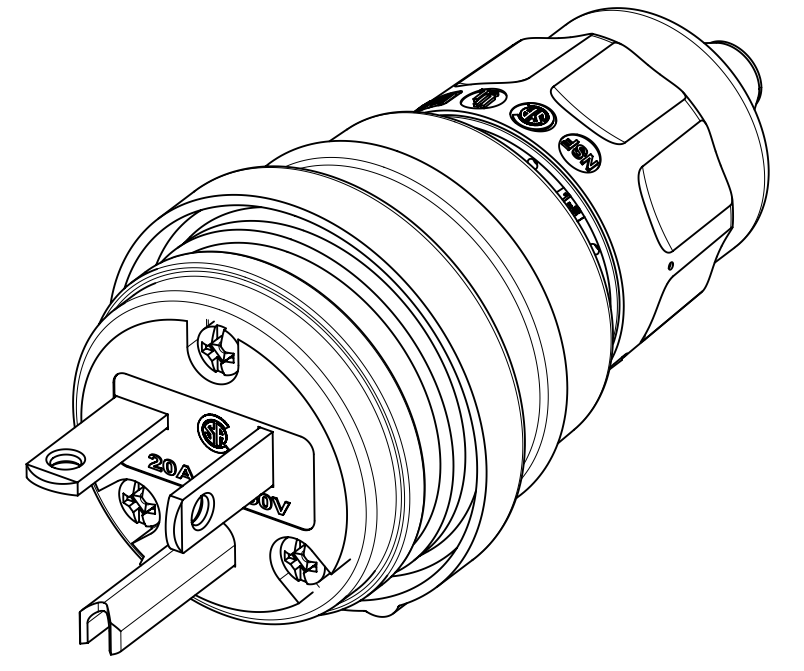
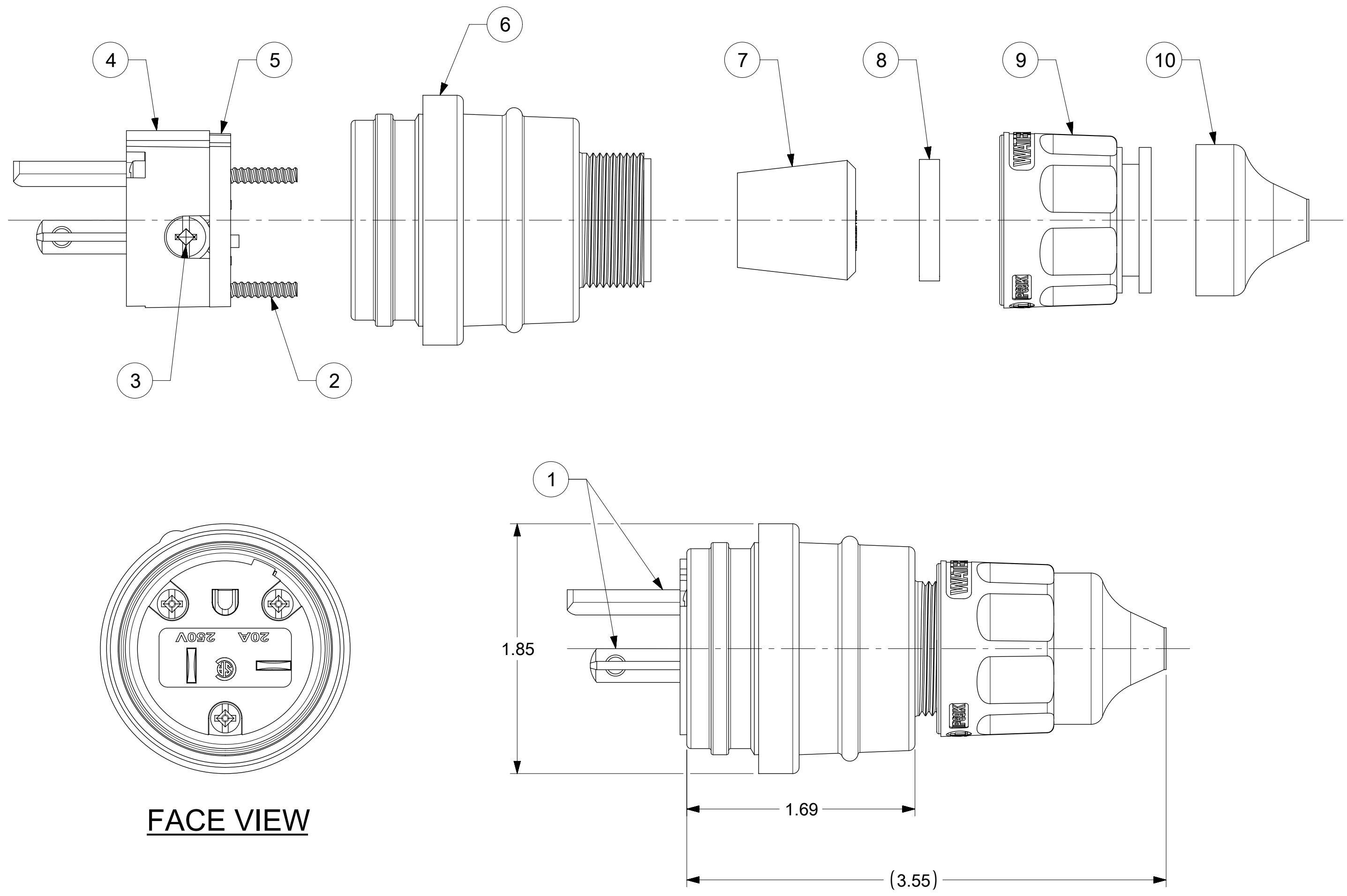


ORDER NO.	WOODHEAD NO.	COLOR
130146-0040	14W48	YELLOW
130146-0041	14W48BLK	BLACK



ITEM NO.	DESCRIPTIONS	MATERIAL	QTY.
1	BLADES	BRASS	3
2	RETAINING SCREWS	STAINLESS STEEL	3
3	TERMINAL SCREWS	BRASS, ZINC PLATED	3
4	INSERT	NYLON	1
5	TERMINAL COVER	POLYCARBONATE	1
6	HOUSING	SILICONE WITH NYLON THREAD	1
7	GROMMETS	RUBBER	5
8	FRICTION RING	NYLON	1
9	COMPRESSION NUT	NYLON	1
10	CABLE GLOVE	SILICONE	1

NOTES:
 1. SEE INSTRUCTION SHEET NUMBER 1301414770 FOR PRODUCT SPECIFICATION.
 2. CABLE RANGE FROM 0.375" TO 0.625"

THIS DRAWING CONTAINS INFORMATION THAT IS PROPRIETARY TO MOLEX ELECTRONIC TECHNOLOGIES, LLC AND SHOULD NOT BE USED WITHOUT WRITTEN PERMISSION											
DIMENSION UNITS		SCALE		CURRENT REV DESC:							
INCH		NTS		<p style="text-align: center;">molex</p> <p style="text-align: center;">WATERTITE PLUG, 6-20P</p> <p style="text-align: center;">PRODUCT CUSTOMER DRAWING</p>							
GENERAL TOLERANCES (UNLESS SPECIFIED)											
ANGULAR TOL ± 0.5°											
4 PLACES ±											
3 PLACES ± 0.005											
2 PLACES ± 0.01				EC NO: 613686 DRWN: VHANDI 2019/03/13 CHK'D: DNGUYEN62 2019/03/18 APPR: HKNEELAND 2019/03/21							
1 PLACE ± 0.02				INITIAL REVISION: DRWN: NVELUSAMY 2018/10/26 APPR: HKNEELAND 2019/02/11							
0 PLACES ±				DRAFT WHERE APPLICABLE MUST REMAIN WITHIN DIMENSIONS		THIRD ANGLE PROJECTION		DRAWING		SERIES	
				C-SIZE		130146		MATERIAL NUMBER		CUSTOMER	
								SEE TABLE		GENERAL MARKET	
								DOCUMENT NUMBER		DOC TYPE DOC PART REVISION	
								1301460040		PSD 000 A1	
								SHEET NUMBER		1 OF 1	