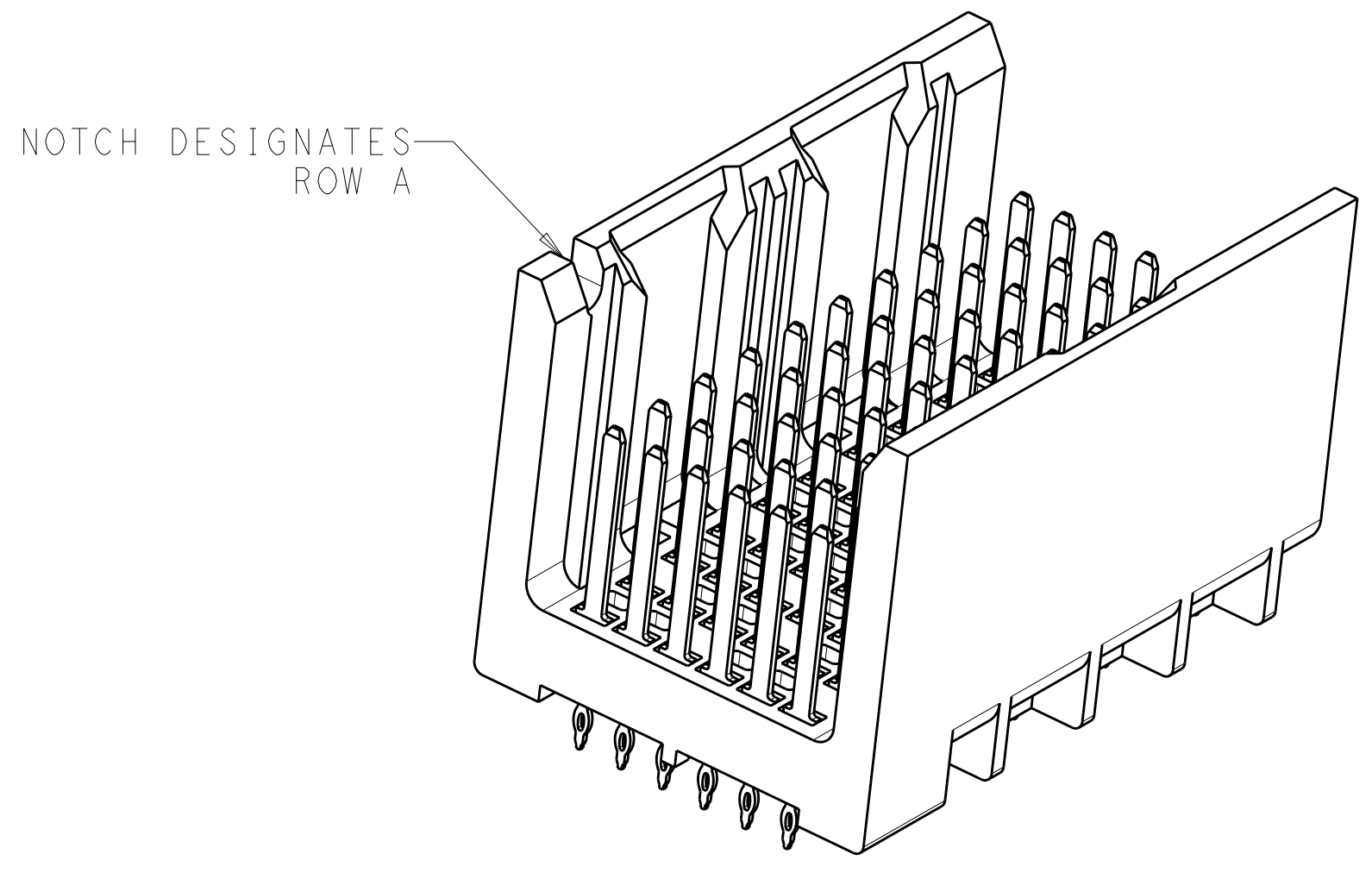
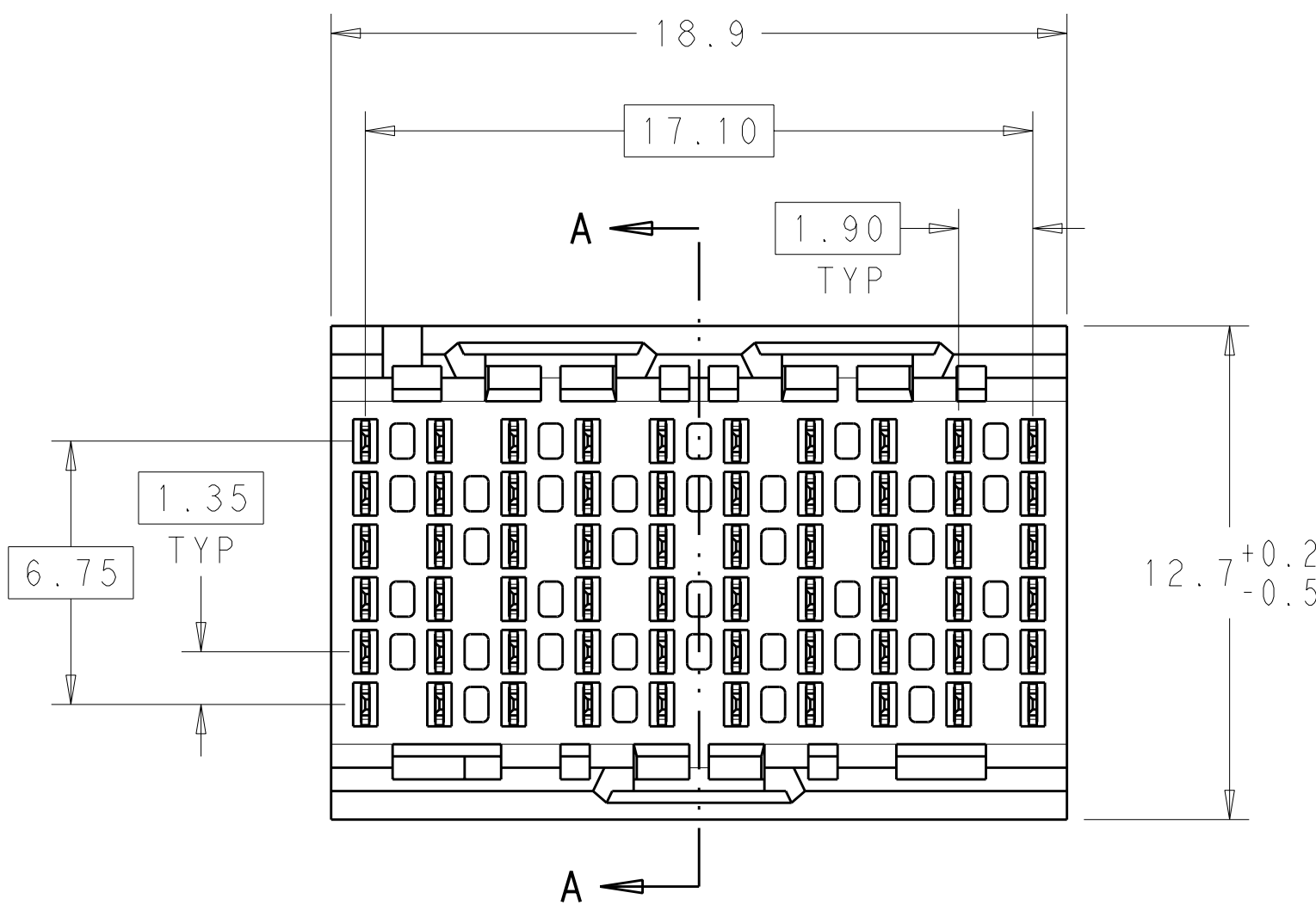
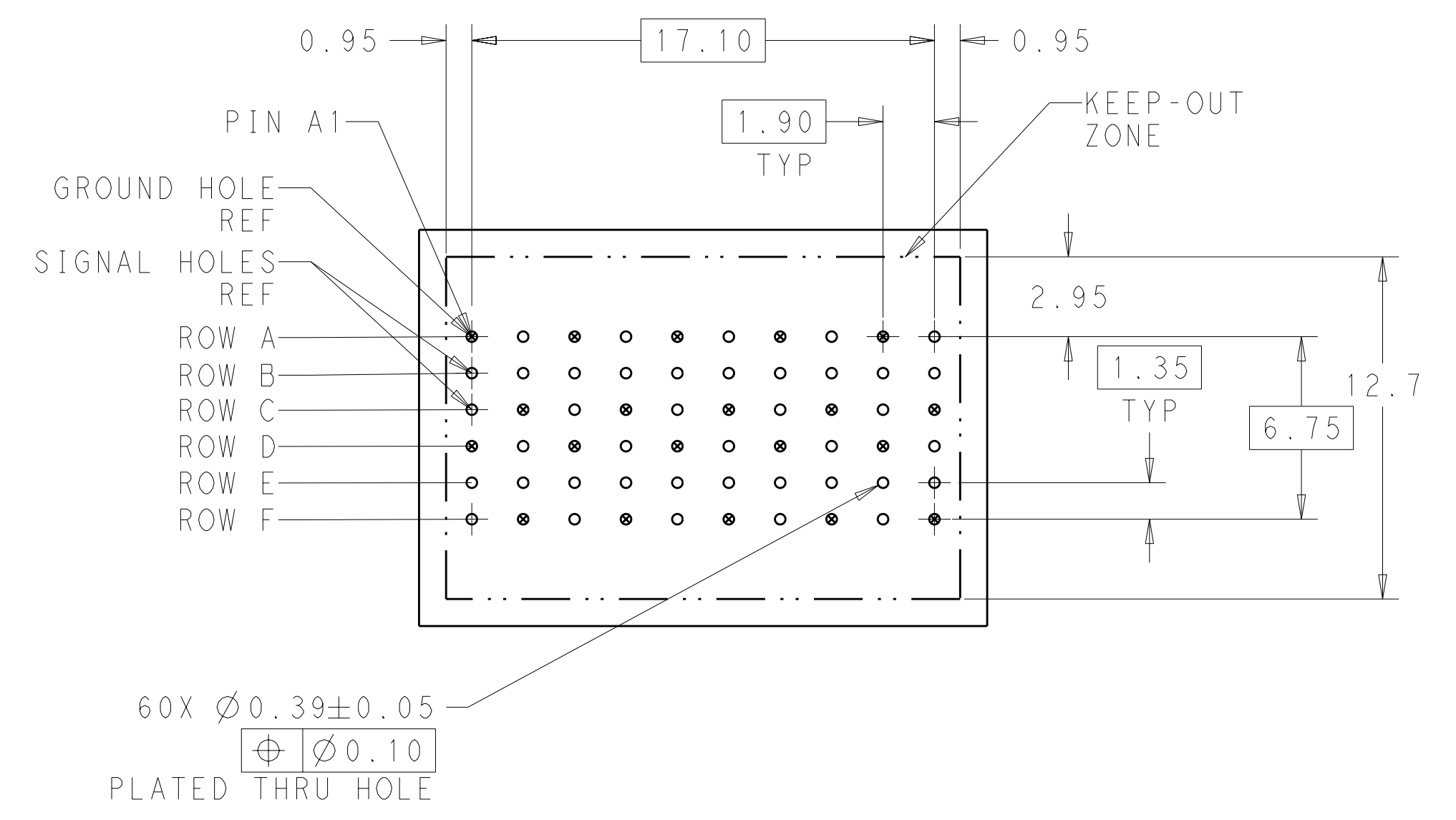


LOC	DIST	REVISIONS			
AD	00	REV	DATE	BY	APPD
		B	04JAN12	KH	DY

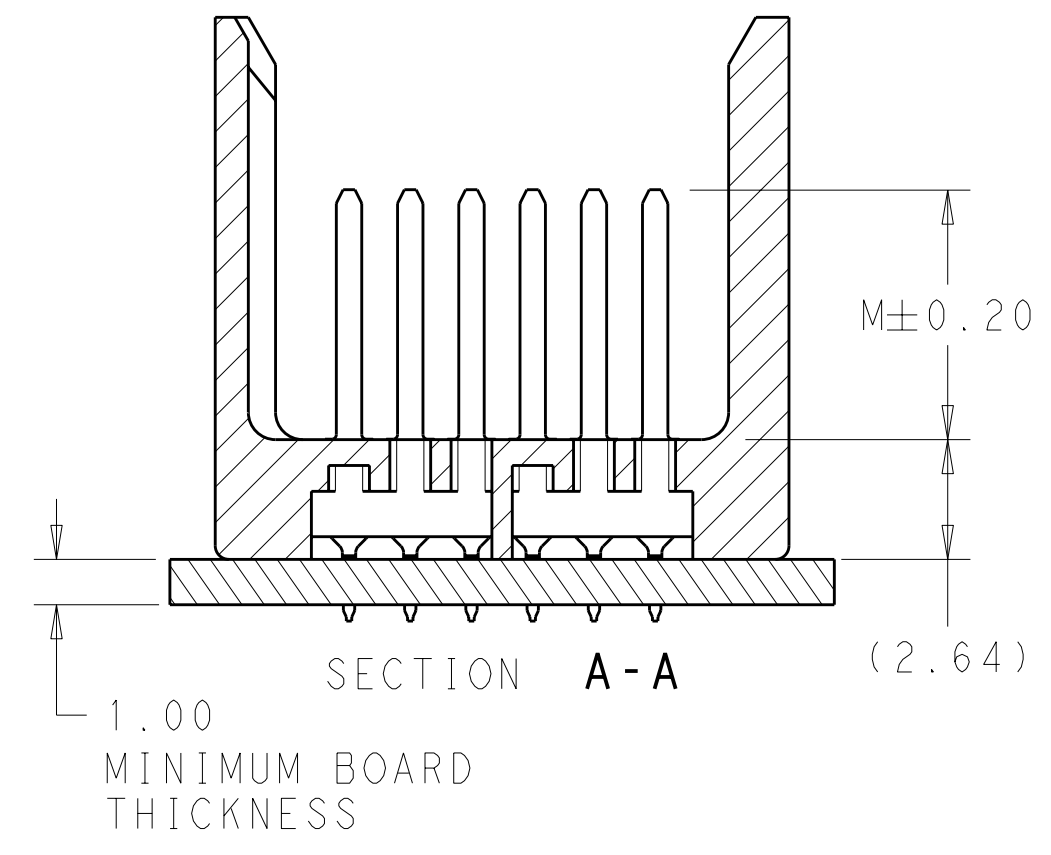
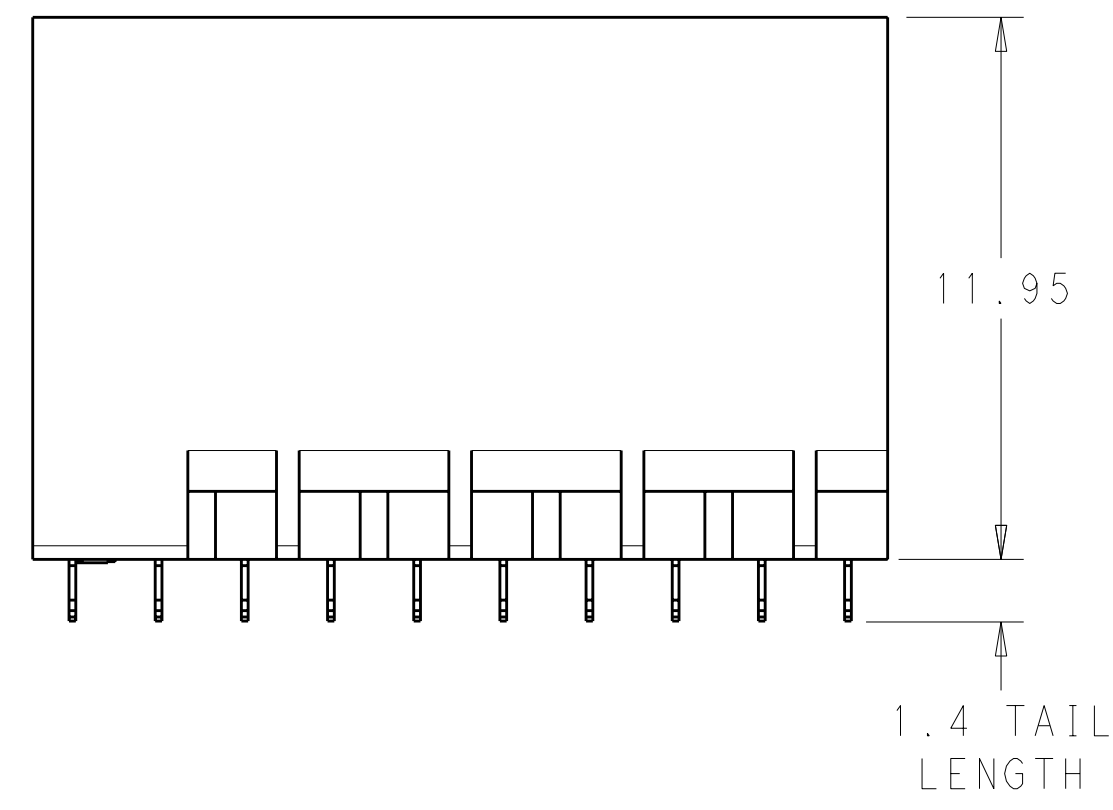


- 1 MATERIAL:
HOUSING: LCP, GLASS FILLED, UL94V-0.
TERMINALS: HIGH PERFORMANCE COPPER ALLOY.
- 2 FINISH:
30µ" MIN GOLD IN CONTACT AREA. SELECTIVE TIN
ON PCB TAILS, NICKEL OVERALL.
- 3 FINISH:
30µ" MIN GOLD IN CONTACT AREA. SELECTIVE TIN-LEAD
ON PCB TAILS, NICKEL OVERALL.



60X Ø0.39±0.05
 ⊕ Ø0.10
 PLATED THRU HOLE

UNGUIDED
 BACKPLANE HOLE PATTERN
 (CONNECTOR SIDE)




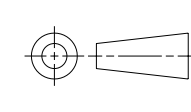
THIS DRAWING IS A CONTROLLED DOCUMENT.		DWN J. K. SHOBER 27JAN2011	TE Connectivity
DIMENSIONS: mm		CHK J. EARY 27JAN2011	
TOLERANCES UNLESS OTHERWISE SPECIFIED: 9 PLC ± 1 PLC ±0.25 3 PLC ±0.13 5 PLC ± 4 PLC ± ANGLES ± FINISH SEE TABLE		APVD J. EARY 27JAN2011	NAME IMPACT, 2 PAIR, 10 COLUMN, HEADER UNGUIDED, OPEN END WALL SIGNAL MODULE, 0.39 PTH
MATERIAL		PRODUCT SPEC	RESTRICTED TO
		APPLICATION SPEC	SIZE CAGE CODE DRAWING NO
		WEIGHT	A100779C=2057430
		CUSTOMER DRAWING	SCALE 6:1 SHEET 1 OF 2 REV B

THIS DRAWING IS UNPUBLISHED. RELEASED FOR PUBLICATION 20
 © COPYRIGHT 20 . . . ALL RIGHTS RESERVED.

LOC	DIST	REVISIONS				
AD	00	P	LTG	DATE	DWN	APVD
		-	-	SEE SHEET 1	-	-

FINISH	DIM M	PART NUMBER
\triangle_3	5.5	2057430-6
\triangle_3	4.9	2057430-5
\triangle_3	4.5	2057430-4
\triangle_2	5.5	2057430-3
\triangle_2	4.9	2057430-2
\triangle_2	4.5	2057430-1

REFER TO WWW.TE.COM
FOR PRODUCT AVAILABILITY

THIS DRAWING IS A CONTROLLED DOCUMENT.		DWN J. K. SHOBER 27JAN2011	 TE Connectivity	
DIMENSIONS: mm		CHK J. EARY 27JAN2011		
		TOLERANCES UNLESS OTHERWISE SPECIFIED: 9 PLC ± 7 PLC ±0.25 5 PLC ±0.13 4 PLC ± ANGLES ± FINISH SEE TABLE		NAME IMPACT, 2 PAIR, 10 COLUMN, HEADER UNGUIDED, OPEN END WALL SIGNAL MODULE, 0.39 PTH
MATERIAL		APVD J. EARY 27JAN2011	PRODUCT SPEC APPLICATION SPEC WEIGHT CUSTOMER DRAWING	SIZE CAGE CODE DRAWING NO A100779C=2057430 RESTRICTED TO SCALE 5:1 SHEET 2 OF 2 REV B