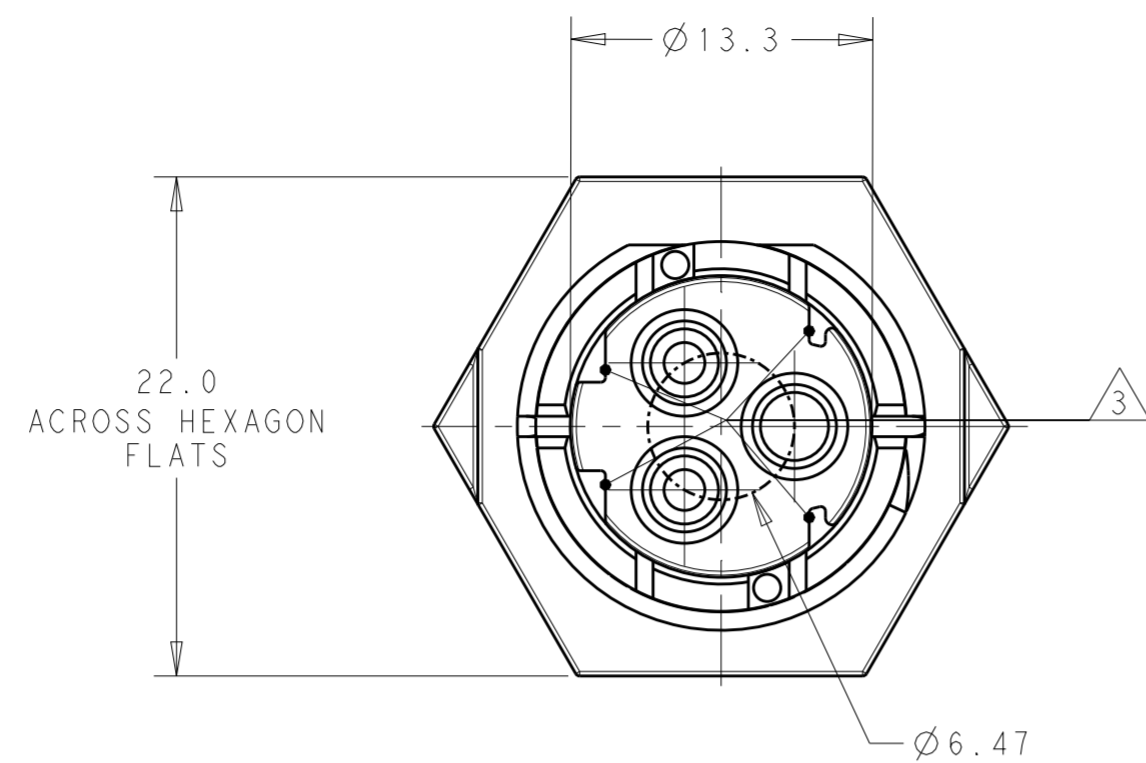


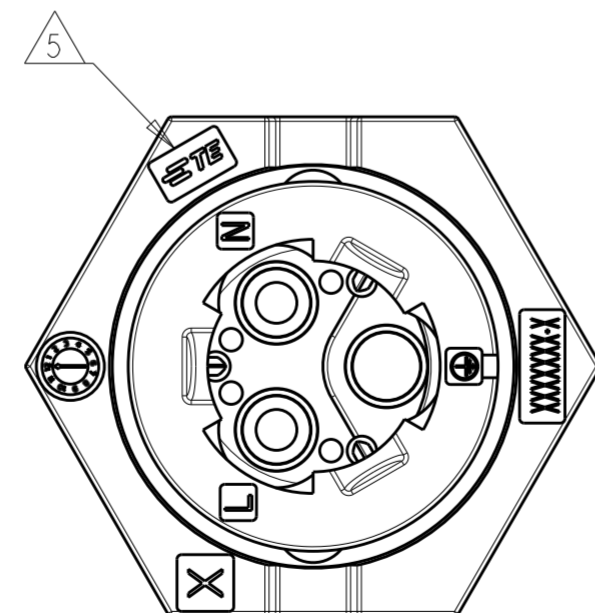
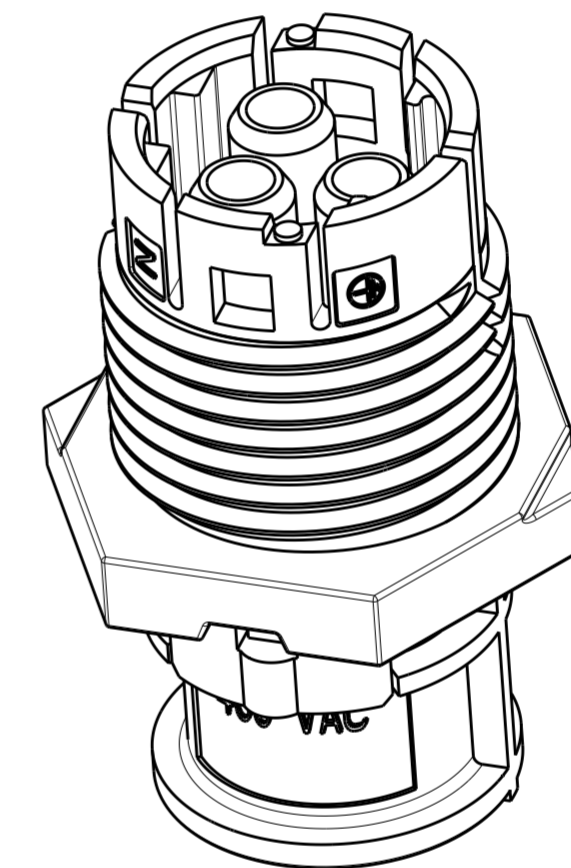
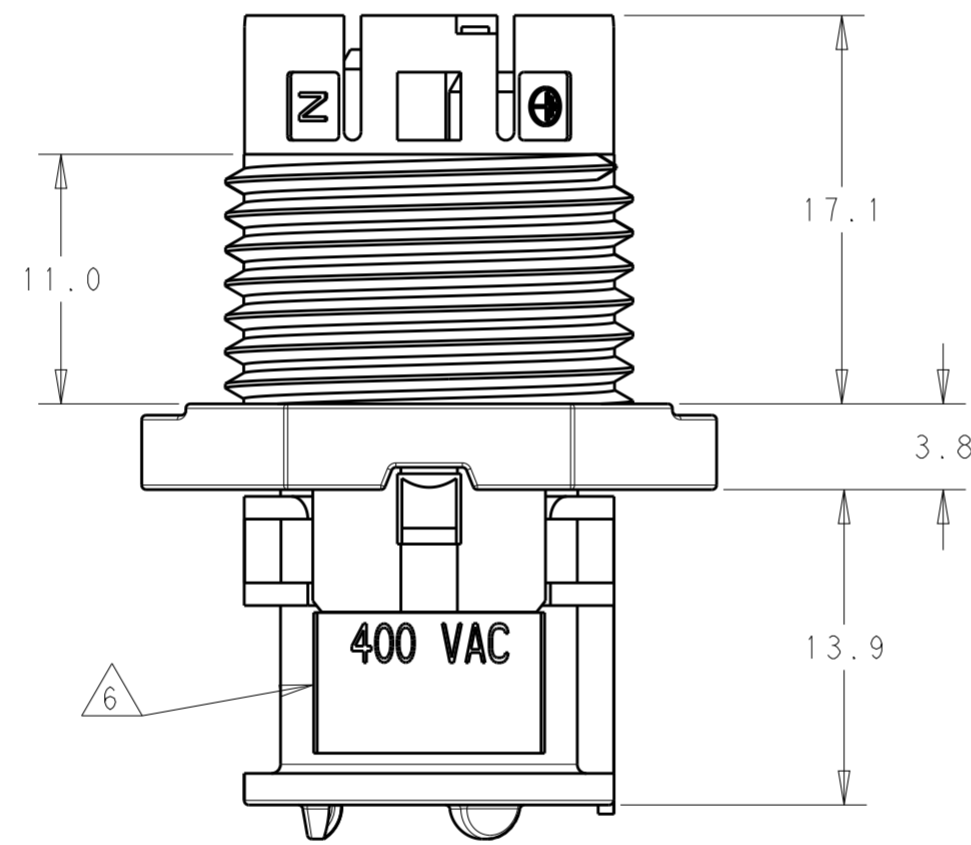
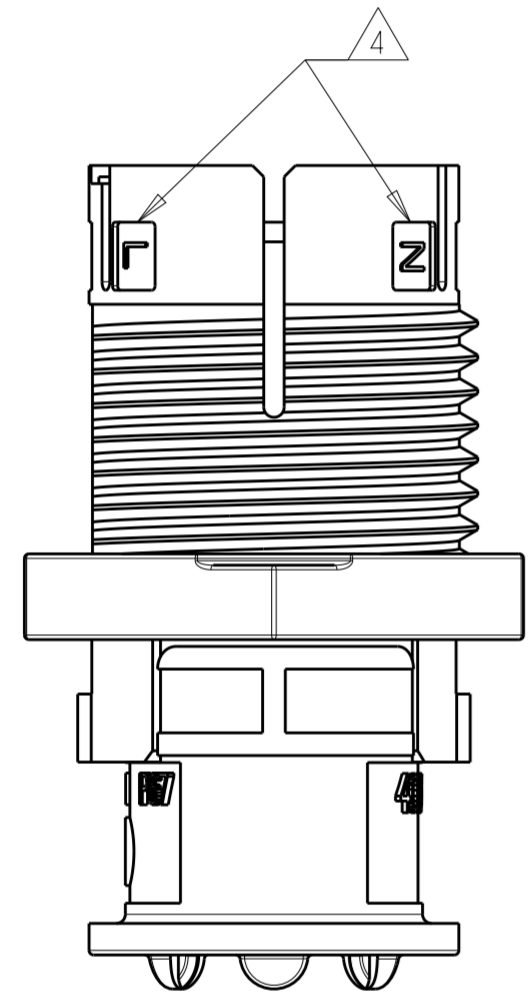
THIS DRAWING IS UNPUBLISHED. RELEASED FOR PUBLICATION 20  
 © COPYRIGHT 20 BY - ALL RIGHTS RESERVED.

REVISIONS					
P	LTR	DESCRIPTION	DATE	DWN	APVD
A		REVISED AS PER ECR-15-005925	22APR2015	RS	JL
A1		ECR-18-006945	02JUL2018	SR	MZ



NOTES:

- MATERIAL: GLASS FILLED PBT, COLOR: BLACK
- MUST COMPLY WITH DIRECTIVE 2002/95/EC (ROHS)
- ALL POLARIZATION KEYS SHOWN FOR REF ONLY.
- CIRCUIT I.D.
- TE LOGO
- VOLTAGE RATING
- THIS PRODUCT HAS NOT COMPLETED VALIDATION TESTING



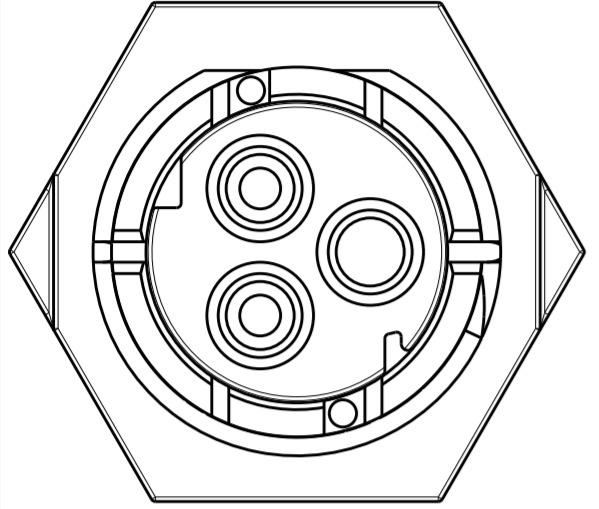
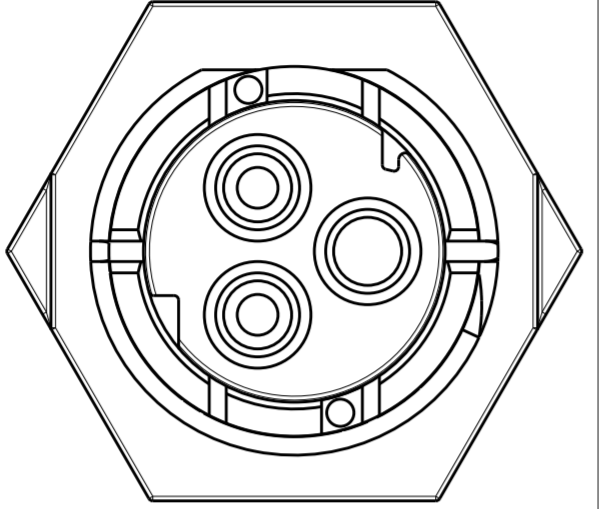
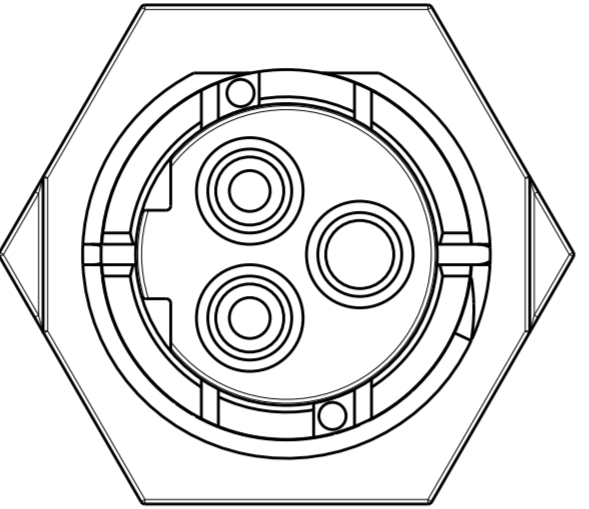
OBSOLETE	C	PANEL MOUNT SOCKET SEALED NECTOR 3 POSITION	2213468-3
	B	PANEL MOUNT SOCKET SEALED NECTOR 3 POSITION	2213468-2
	A	PANEL MOUNT SOCKET SEALED NECTOR 3 POSITION	2213468-1
	POLARIZATION TYPE	DESCRIPTION	PART NUMBER

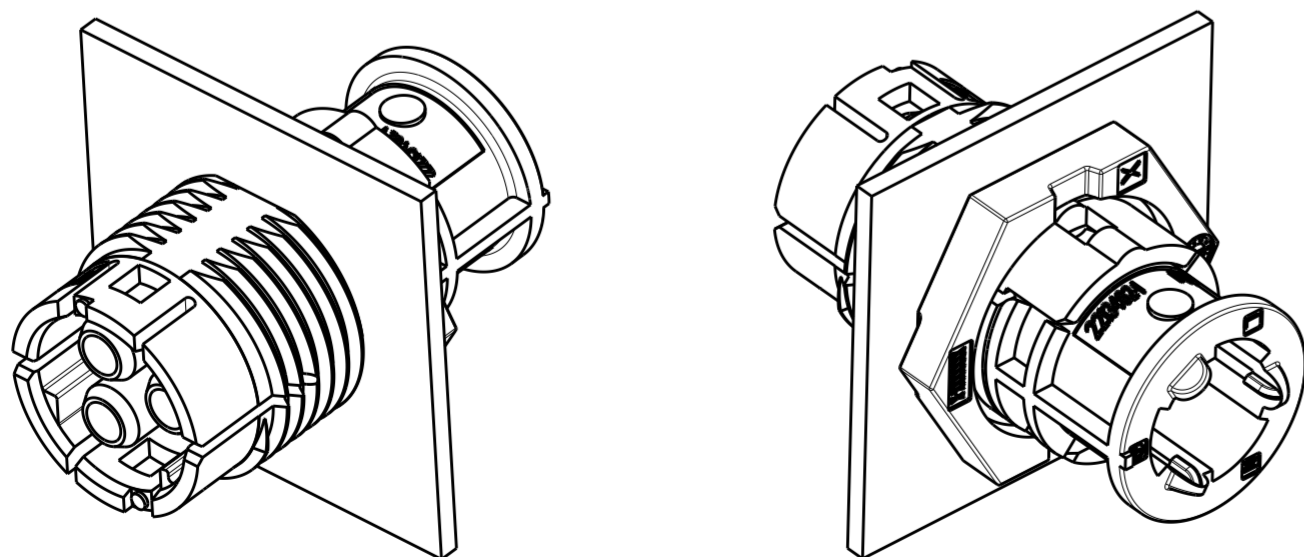
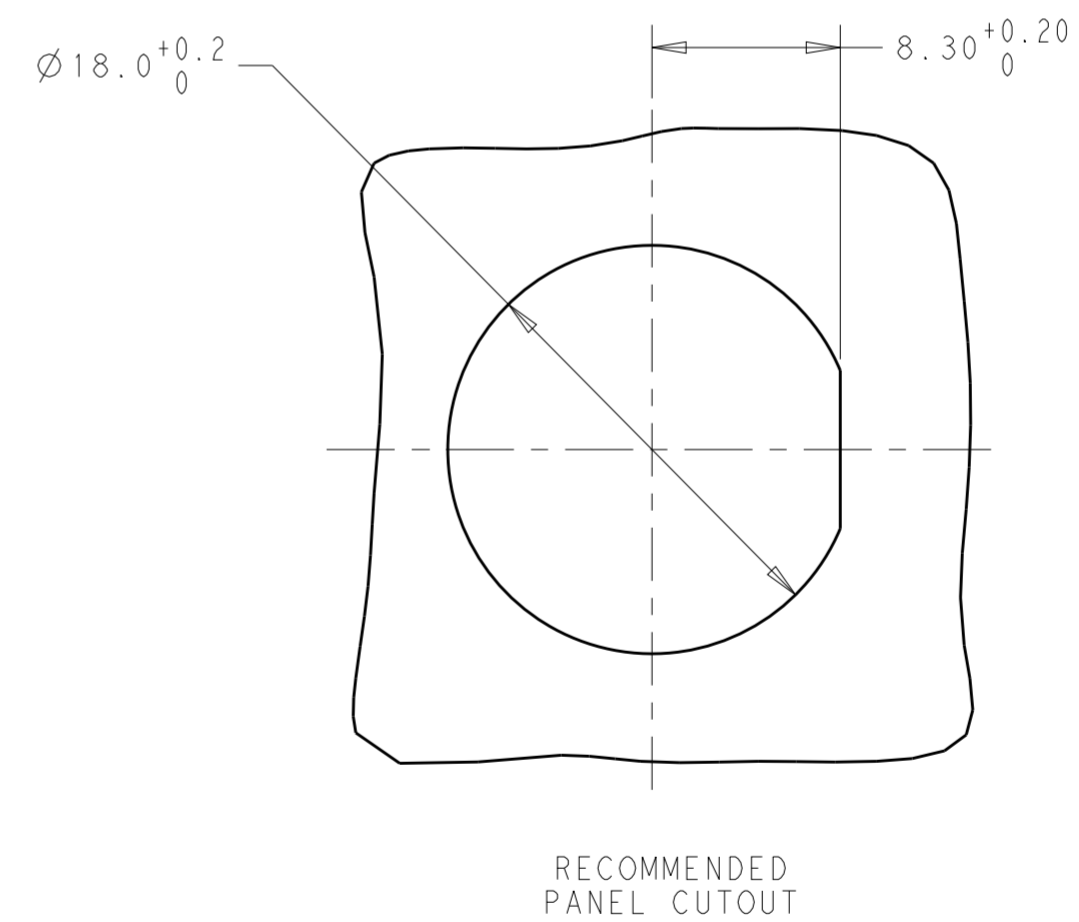
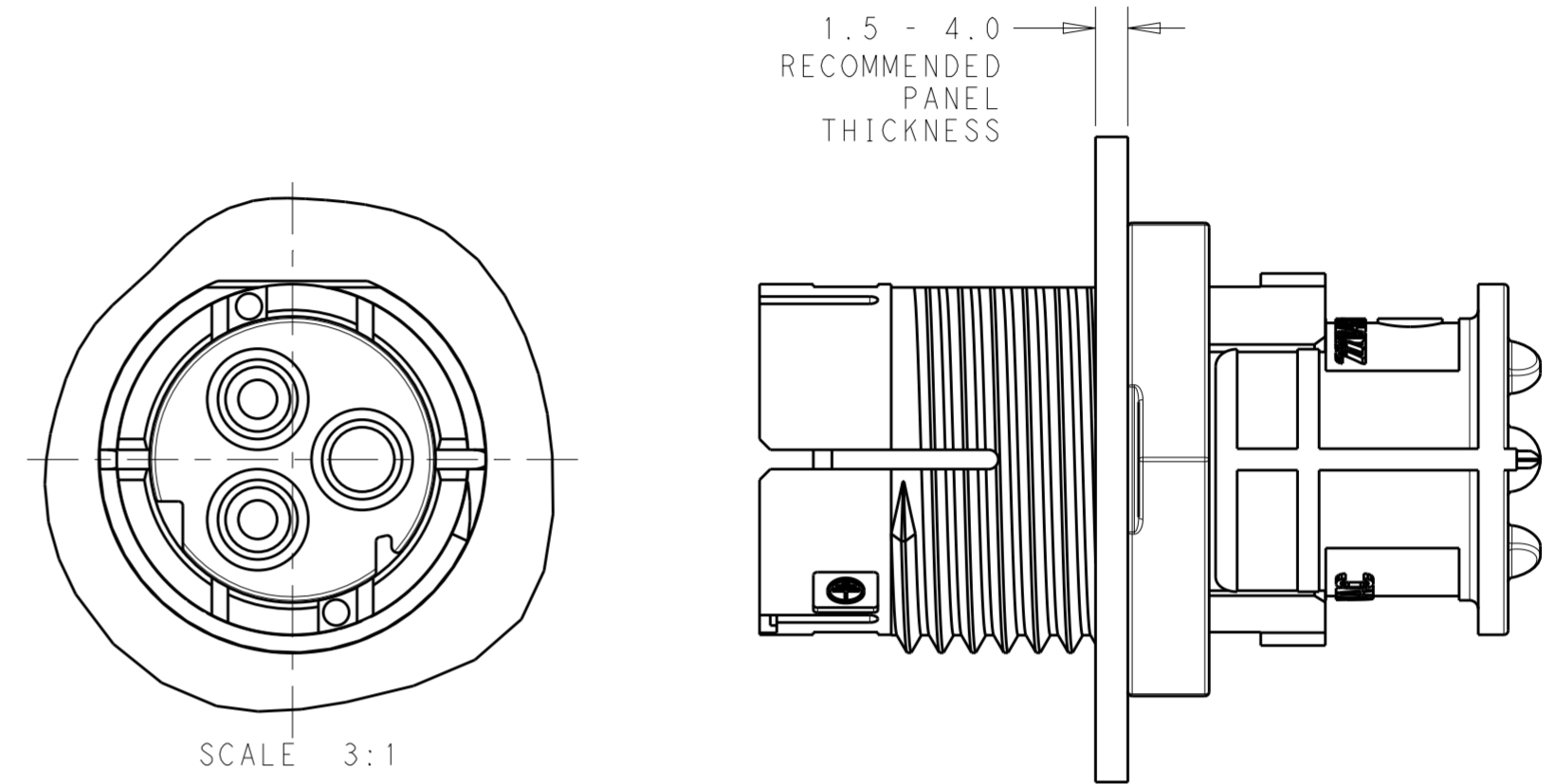
DIMENSIONS:		TOLERANCES UNLESS OTHERWISE SPECIFIED:		APVD		NAME	
mm	0 PLC	±		DWN	J. SHAFFER	20MAR2014	TE Connectivity
	1 PLC	±0.3		CHK	M. LUKSIC	20MAR2014	
	2 PLC	±0.20		APVD	M. LUKSIC	20MAR2014	
	3 PLC	±		PRODUCT SPEC			
	4 PLC	±		APPLICATION SPEC			
	ANGLES	±3°					
	FINISH	-					
MATERIAL	TBD	-		SIZE	A2	CAGE CODE	-
	-	-		DRAWING NO	G-2213468	RESTRICTED TO	-
				WEIGHT	-	SCALE	1:1
				Customer Drawing		SHEET	1 OF 2
						REV	A1

THIS DRAWING IS UNPUBLISHED. RELEASED FOR PUBLICATION 20  
 © COPYRIGHT 20 BY - ALL RIGHTS RESERVED.


REVISIONS				
P	LTR	DESCRIPTION	DATE	APVD
-		SEE SHEET 1	-	-

### POLARIZATION TYPES

POLARIZATION TYPE "A"	POLARIZATION TYPE "B"	POLARIZATION TYPE "C"
		
PN 2213468-1	<del>PN 2213468-2</del>	<del>PN 2213468-3</del>



3D VIEWS  
FOR REFERENCE ONLY

THIS DRAWING IS A CONTROLLED DOCUMENT.		DWN J. SHAFFER 20MAR2014	 TE Connectivity	
DIMENSIONS: mm		CHK M. LUKSIC 20MAR2014		
TOLERANCES UNLESS OTHERWISE SPECIFIED:		APVD M. LUKSIC 20MAR2014	NAME PANEL MOUNT, SOCKET; SEALED NECTOR M 3 POSITION	
0 PLC ±		PRODUCT SPEC 108-133014	SIZE A2	
1 PLC ±0.3		APPLICATION SPEC 114-32111	CAGE CODE -	
2 PLC ±0.20		WEIGHT -	DRAWING NO. G-2213468	
3 PLC ±		Customer Drawing	RESTRICTED TO -	
4 PLC ±			SCALE 1:1 SHEET 2 OF 2 REV A1	
ANGLES ±3°				
FINISH -				
MATERIAL TBD				