



Mallory Sonalert Products, Inc.

Part #:

SCE016XD3MG5F

Sales Outline Drawing

Revision:

B

Specifications:

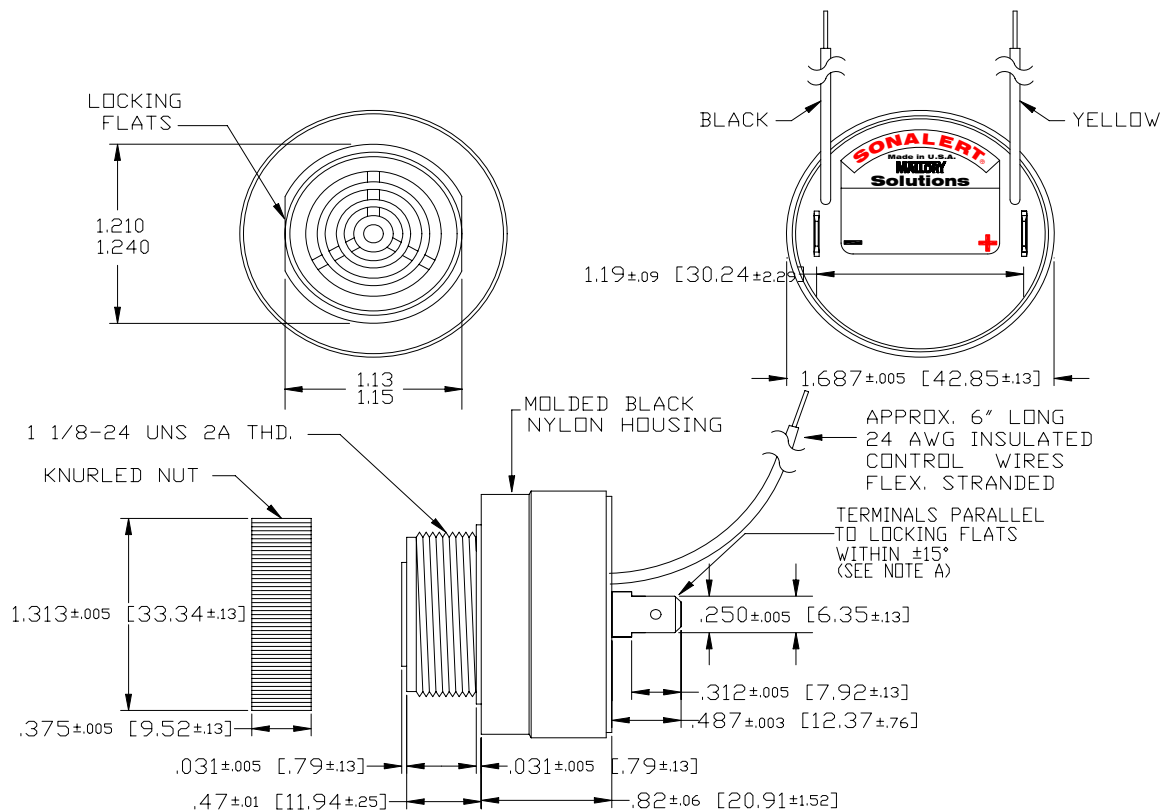
| | | | | |
|------------------------|--|------------------------------|-------------------------------|------------------------------|
| Sound Level Category: | Extra Loud | Extra Loud | Loud | Loud |
| Mode of Operation: | Continuous | Double Pulse | Dual Tone | Siren Sweep |
| Loudness @ 2 FT: | 95 to 105 dB(A) Typ. | 95 to 105 dB(A) Typ. | 85 to 95 dB(A) Typ. | 85 to 95 dB(A) Typ. |
| Pulse Rate (PPS): | N/A | 2 | 7 | 5 |
| Frequency: | 2900 ± 500 Hz | 2900 ± 500 Hz | 3.0 - 2.9 kHz | 2.6 - 3.2 kHz |
| Connection: | TERMINALS ONLY | TERMINALS; BLACK WIRE TO (-) | TERMINALS; YELLOW WIRE TO (-) | TERMINALS; BOTH WIRES TO (-) |
| Voltage Rating: | 6 to 16 VDC | | | |
| Current Draw: | 40mA MAX | | | |
| Housing Material: | 6/6 Nylon, Color: Black | | | |
| Storage Temperature: | -40° to +85° C | | | |
| Operating Temperature: | -40° to +85° C | | | |
| Panel Mounting: | Recommended hole size is 1.25"(31.75mm). Thread front will fit standard 30mm(1.181") hole. | | | |
| Knurled Nut: | Used to attach part to panel. The max recommended torque is 10 in-lbs. | | | |
| Weight (Typical): | 1.6 oz (45g) | | | |
| NEMA 3R,4X, & 12: | Approved with use of ACC03. | | | |
| cUL Recognition: | cUL Recognized | | | |
| Options: | Please contact factory. | | | |

Dimensions:

Inches (mm)

cUL Recognized

ROHS Compliant



MOUNTING: REMOVE BLACK PLASTIC NUT AND INSERT THREADED FRONT THROUGH 1.25" HOLE PUNCHED IN PANEL, IF ORIENTATION IS NEEDED, NOTE LOCKING FLATS ON DRAWING. SCREW NUT BACK ON. DO NOT OVERTIGHTEN.