

THIS DRAWING IS UNPUBLISHED. RELEASED FOR PUBLICATION  
 © COPYRIGHT - BY TYCO ELECTRONICS CORPORATION. ALL RIGHTS RESERVED.

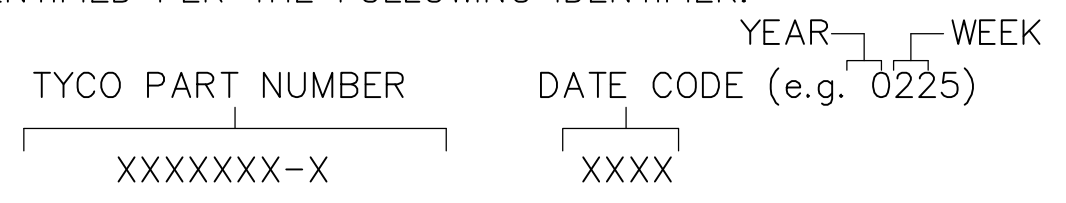
LOC		DIST		REVISIONS			
GP	00	P	LTR	DESCRIPTION	DATE	DWN	APVD
			A	RELEASED	16MAY06	RG	SF

5 RECOMMENDED MOUNTING HARDWARE TO BE ORDERED SEPARATELY FOR REFERENCE ONLY:  
 FOR PANEL MOUNTING USE:  
 1650402-1, 8-32 SHOULDER SCREW  
 1650589-1, M4 X 0.7 SHOULDER SCREW

4. ELCON SERIES 424-0001-01100

3. MATERIALS:  
 INSULATORS: THERMOPLASTIC, GLASS REINFORCED, UL 94V-0, FLAMMABILITY RATED, COLOR-BLACK.  
 RETENTION CLIPS: BERYLLIUM COPPER OR STAINLESS STEEL.  
 PLASTIC RETENTION SCREW: STEEL

2 ITEMS PROVIDED TO THIS SPECIFICATION TO BE PERMANENTLY IDENTIFIED PER THE FOLLOWING IDENTIFIER:



1. PART NUMBER CHANGES AND OR DESIGN CHANGES AFFECTING ITEM INTERCHANGEABILITY REQUIRE PRIOR TYCO APPROVAL AND AUTHORIZATION BY REVISION TO THIS DRAWING.

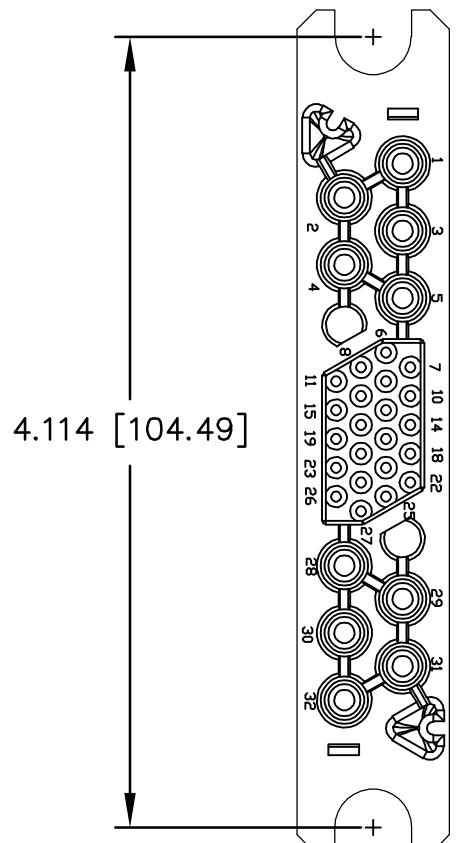
AS SHOWN	1648212-1
DESCRIPTION	PART NUMBER

THIS DRAWING IS A CONTROLLED DOCUMENT.		DWN R.GRZYBOWSKI 16MAY2006	Tyco Electronics Corporation Harrisburg, PA 17105-3608	
DIMENSIONS: INCHES		CHK S.FLICKINGER 16MAY06		
TOLERANCES UNLESS OTHERWISE SPECIFIED:		APVD S.FLICKINGER 16MAY06	NAME	
0 PLC ± - 1 PLC ± - 2 PLC ± .02 3 PLC ± .010 4 PLC ± - ANGLES ± .5		PRODUCT SPEC	CONNECTOR HOUSING, STRAIGHT SOCKET P10S22 WITH RETENTION CLIPS	
MATERIAL		APPLICATION SPEC	SIZE	CAGE CODE
FINISH		WEIGHT	DRAWING NO	
-		-	A3 00779 C-1648212	
		CUSTOMER DRAWING		RESTRICTED TO
		SCALE 1:1	SHEET 1 OF 3	REV A

ELCON P10S22 DRAWER

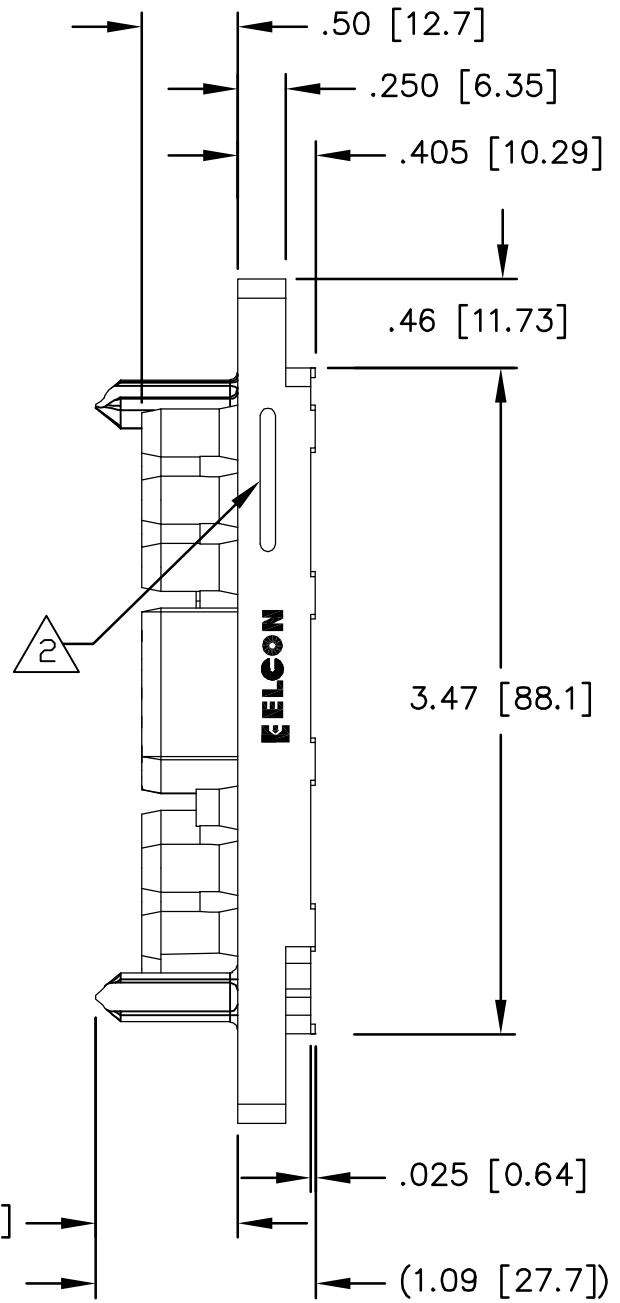
THIS DRAWING IS UNPUBLISHED. RELEASED FOR PUBLICATION  
 © COPYRIGHT BY TYCO ELECTRONICS CORPORATION. ALL RIGHTS RESERVED.

LOC	DIST	REVISIONS					
GP	00	P	LTR	DESCRIPTION	DATE	DWN	APVD
		-		SEE SHEET 1	-	-	-

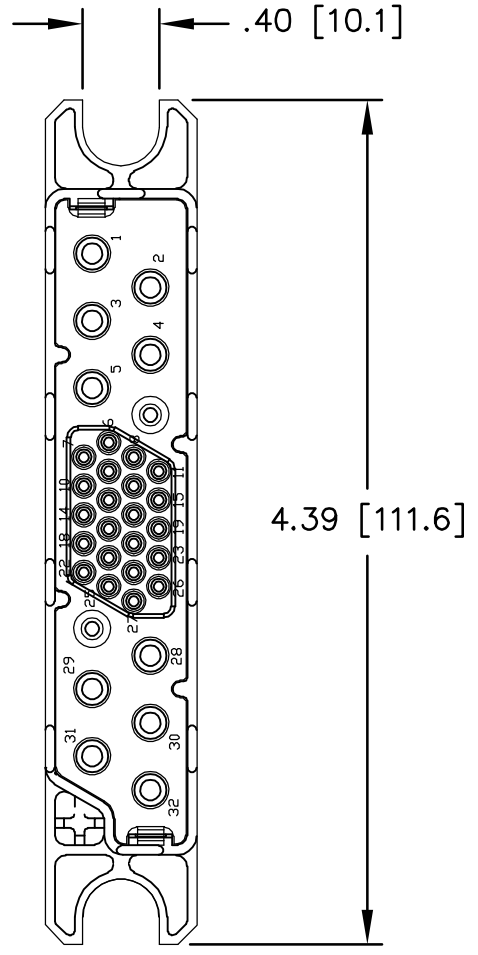


4.114 [104.49]

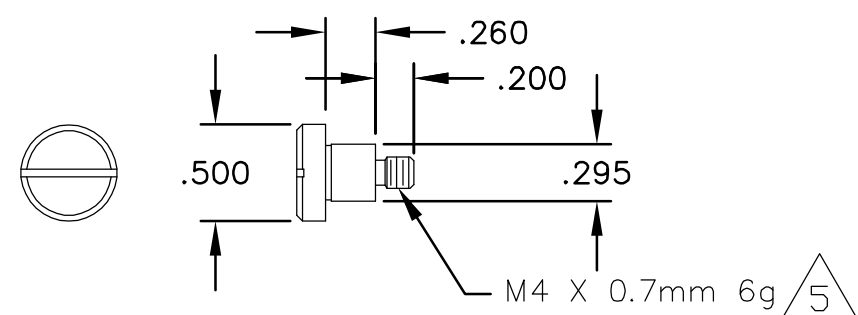
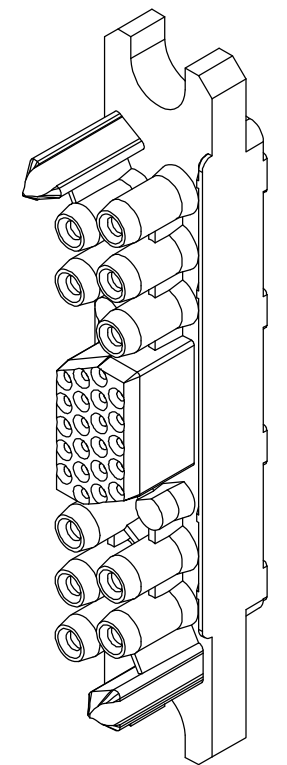
FRONT VIEW



RIGHT SIDE



REAR VIEW  
(SOCKET CONTACT INSERTION SIDE)

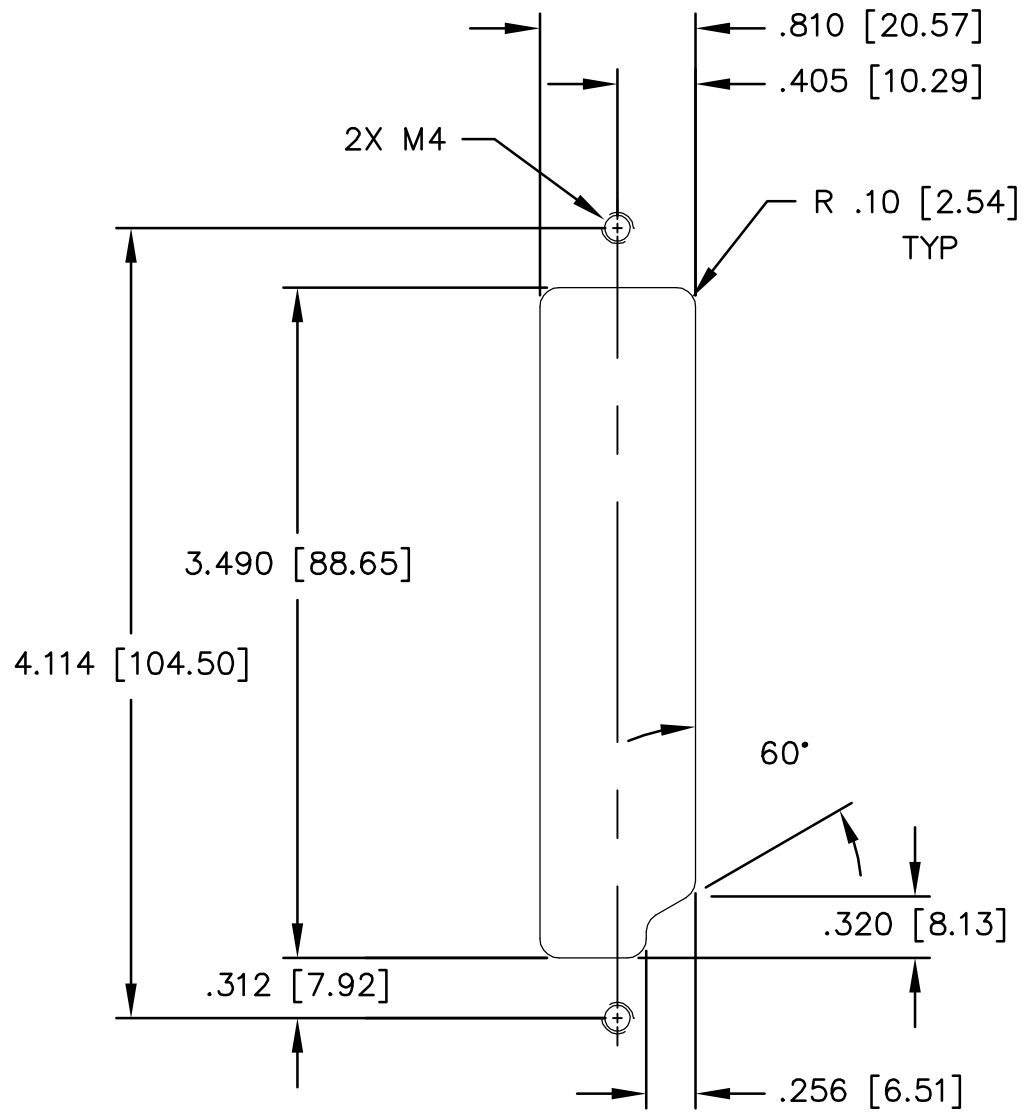


SHOULDER SCREW  
(REFERENCE ONLY)

THIS DRAWING IS A CONTROLLED DOCUMENT.		DWN R.GRZYBOWSKI 16MAY2006	Tyco Electronics Corporation Harrisburg, PA 17105-3608	
DIMENSIONS: INCHES		CHK S.FLICKINGER 16MAY06	NAME CONNECTOR HOUSING, STRAIGHT SOCKET P10S22 WITH RETENTION CLIPS	
TOLERANCES UNLESS OTHERWISE SPECIFIED:		APVD S.FLICKINGER 16MAY06	PRODUCT SPEC	
0 PLC ± -		APPLICATION SPEC		
1 PLC ± -		SIZE		
2 PLC ± .02		CAGE CODE		
3 PLC ± .010		DRAWING NO		
4 PLC ± -		RESTRICTED TO		
ANGLES ± .5		A3 00779 C-1648212		
MATERIAL		WEIGHT		
FINISH		CUSTOMER DRAWING		
		SCALE 1:1		SHEET 2 OF 3
				REV A

THIS DRAWING IS UNPUBLISHED. RELEASED FOR PUBLICATION  
 © COPYRIGHT - BY TYCO ELECTRONICS CORPORATION. ALL RIGHTS RESERVED.

LOC	DIST	REVISIONS			
P	LTR	DESCRIPTION	DATE	DWN	APVD
GP	00	SEE SHEET 1	-	-	-



SUGGESTED PANEL CUTOUT FOR FIXED CONNECTOR

THIS DRAWING IS A CONTROLLED DOCUMENT.		DWN R.GRZYBOWSKI 16MAY2006	Tyco Electronics Corporation Harrisburg, PA 17105-3608			
DIMENSIONS: INCHES	TOLERANCES UNLESS OTHERWISE SPECIFIED:	CHK S.FLICKINGER 16MAY06	NAME CONNECTOR HOUSING, STRAIGHT SOCKET P10S22 WITH RETENTION CLIPS			
	0 PLC ± -	APVD S.FLICKINGER 16MAY06	PRODUCT SPEC			
	1 PLC ± -	PRODUCT SPEC	APPLICATION SPEC			
MATERIAL	FINISH	WEIGHT	SIZE	CAGE CODE	DRAWING NO	RESTRICTED TO
-	-	-	A3	00779	C-1648212	-
CUSTOMER DRAWING			SCALE	SHEET	REV	
			1:1	3 OF 3	A	