



**Industrial RJ45 IP20**

TE Internal #: 1987236-1

RJ45 Connectors, Circular RJ45, Single Port, RJ Type Jacks & Plugs, Standard Connector Contact Density, Plug, Shielded, Cat 5e, Industrial RJ45 IP20

[View on TE.com >](#)

Connectors > Modular Jacks & Plugs > RJ45 Connectors



Modular Jack & Plug Interface Type: **Circular RJ45**

Port Configuration: **Single Port**

Modular Jacks & Plugs Products: **RJ Type Jacks & Plugs**

Connector Contact Density: **Standard**

Modular Connector Style: **Plug**

**Features**

**Product Type Features**

Modular Jack & Plug Interface Type	Circular RJ45
Modular Jacks & Plugs Products	RJ Type Jacks & Plugs
Modular Connector Style	Plug
Connector & Contact Terminates To	Wire & Cable

**Configuration Features**

Status Indicator Type	None
Port Configuration	Single Port
Connector Contact Density	Standard
Number of Positions	4
Number of Loaded Positions	4

**Body Features**

Shield Plating Material	Nickel
Shield Material	Copper Alloy

**Contact Features**



Contact Current Rating (Max)	.5 A
Contact Mating Area Plating Material	Gold
Contact Base Material	Phosphor Bronze
Contact Mating Area Plating Material Thickness	1.27 µm[50 µin]

### Mechanical Attachment

Connector Mounting Type	Panel Mount
-------------------------	-------------

### Housing Features

Housing Material	Polycarbonate GF
------------------	------------------

### Usage Conditions

Operating Temperature Range	-40 – 70 °C[-40 – 158 °F]
-----------------------------	---------------------------

### Operation/Application

Shielded	No, Yes
Circuit Application	Signal

### Industry Standards

IP Rating	IP20
Performance Category	Cat 5e

### Packaging Features

Packaging Quantity	1
Packaging Method	Carton

## Product Compliance

[For compliance documentation, visit the product page on TE.com>](#)

EU RoHS Directive 2011/65/EU	Compliant
EU ELV Directive 2000/53/EC	Compliant
China RoHS 2 Directive MIIT Order No 32, 2016	No Restricted Materials Above Threshold
EU REACH Regulation (EC) No. 1907/2006	Current ECHA Candidate List: JUNE 2023 (235) Candidate List Declared Against: JUNE 2022 (224) Does not contain REACH SVHC
Halogen Content	Not Yet Reviewed for halogen content
Solder Process Capability	Not applicable for solder process capability

Product Compliance Disclaimer

This information is provided based on reasonable inquiry of our suppliers and represents our current actual knowledge based on the information they provided. This information is subject to change. The part numbers that TE has identified as EU RoHS compliant have a maximum concentration of 0.1% by weight in homogenous materials for lead, hexavalent chromium, mercury, PBB, PBDE, DBP, BBP, DEHP, DIBP, and 0.01% for cadmium, or qualify for an exemption to these limits as defined in the Annexes of Directive 2011/65/EU (RoHS2). Finished electrical and electronic equipment products will be CE marked as required by Directive 2011/65/EU. Components may not be CE marked. Additionally, the part numbers that TE has identified as EU ELV compliant have a maximum concentration of 0.1% by weight in homogenous materials for lead, hexavalent chromium, and mercury, and 0.01% for cadmium, or qualify for an exemption to these limits as defined in the Annexes of Directive 2000/53/EC (ELV). Regarding the REACH Regulation, the information TE provides on SVHC in articles for this part number is based on the latest European Chemicals Agency (ECHA) 'Guidance on requirements for substances in articles' posted at this URL: <https://echa.europa.eu/guidance-documents/guidance-on-reach>

## Compatible Parts

 <p>TE Part # 1-2301994-0 RJ45 JACK INT.MAG. 1GB LED 1X1</p>	 <p>TE Part # 1-2301994-1 RJ45 JACK INT.MAG. 1GB LED 1X1 INV (LOW)</p>	 <p>TE Part # 1-2301994-2 RJ45 JACK INT.MAG. 1GB LED 1X1</p>	 <p>TE Part # 2301994-1 RJ45 JACK INT.MAG. 10/100 1X1 INV.</p>
 <p>TE Part # 2301994-2 RJ45 JACK INT.MAG. 10/100 LED 1X1 INV.</p>	 <p>TE Part # 2301994-5 RJ45 JACK INT.MAG. 1GB 1X1 INV.</p>	 <p>TE Part # 2301994-7 RJ45 JACK INT.MAG. 1GB 1X1</p>	 <p>TE Part # 2301997-7 RJ45 JACK INT.MAG. 1GB LED 2X1</p>
 <p>TE Part # 1987306-1 ASSY, FRAME, RJ45 CONNECTOR IP</p>	 <p>TE Part # 2-2301994-3 RJ45 JACK INT.MAG. 1GB LED 1X1</p>	 <p>TE Part # 2301994-4 RJ45 JACK INT.MAG. 10/100 1X1</p>	 <p>TE Part # 2301994-6 RJ45 JACK INT.MAG. 1GB 1X1</p>
 <p>TE Part # 2301994-8 RJ45 JACK INT. MAG. 10/100 LED 1X1 INV.</p>	 <p>TE Part # 2301994-9 RJ45 JACK INT.MAG. 10/100 LED 1X1</p>	 <p>TE Part # 2301995-1 RJ45 JACK INT.MAG. 1GB 1X1 VERT.</p>	 <p>TE Part # 2301995-2 RJ45 JACK INT.MAG. 10/100 1X1 VERT.</p>




TE Part # 2301995-4  
RJ45 JACK INT.MAG. 1GB LED 1X1 VERT.



TE Part # 2301996-1  
RJ45 JACK INT.MAG. 10/100 1X2 INV.



TE Part # 2301996-2  
RJ45 JACK INT.MAG. 10/100 1X2



TE Part # 2301996-3  
RJ45 JACK INT.MAG. 1GB 1X2 INV.


Also in the Series | **Industrial RJ45 IP20**



Circular Ethernet Hardware(1)



PCB D-Sub Connectors(1)

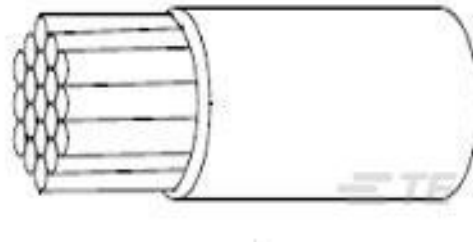


RJ45 Connectors(8)

Customers Also Bought



TE Part #017227-000  
55A0112-12-4



TE Part #738505-000  
22759/44-26-2

TE Part #ER8670-000  
55A0112-12-7

TE Part #662616-000  
55A0112-12-8

TE Part #D8170E61-0SN-5146  
RECP ASSY

TE Part #YD8177E61-0PY-6201  
PLUG ASSY

TE Part #YD8179E61-0PY-6201  
PLUG ASSY

TE Part #10221272-00  
6111-2011-130 POTENTIOMETER, 3X, SH CONT

TE Part #Y66613-K09-98PN000  
RECP ASSY

TE Part #R-13751-1  
RTD,CUST,CAP,P1000,385,0.06%,



## Documents

### Product Drawings

[RJ45 CONNECTOR IP20 45 DEG., INDUSTRIAL](#)

English

---

### CAD Files

Customer View Model

[ENG\\_CVM\\_CVM\\_1987236-1\\_A.2d\\_dxf.zip](#)

English

3D PDF

3D

Customer View Model

[ENG\\_CVM\\_CVM\\_1987236-1\\_A.3d\\_igs.zip](#)

English

Customer View Model

[ENG\\_CVM\\_CVM\\_1987236-1\\_A.3d\\_stp.zip](#)

English

By downloading the CAD file I accept and agree to the [Terms and Conditions](#) of use.

---

### Product Specifications

[Application Specification](#)

English

---

### Instruction Sheets

[Instruction Sheet \(non U.S.\)](#)

English

---

### Agency Approvals

[UL Report](#)

English

---