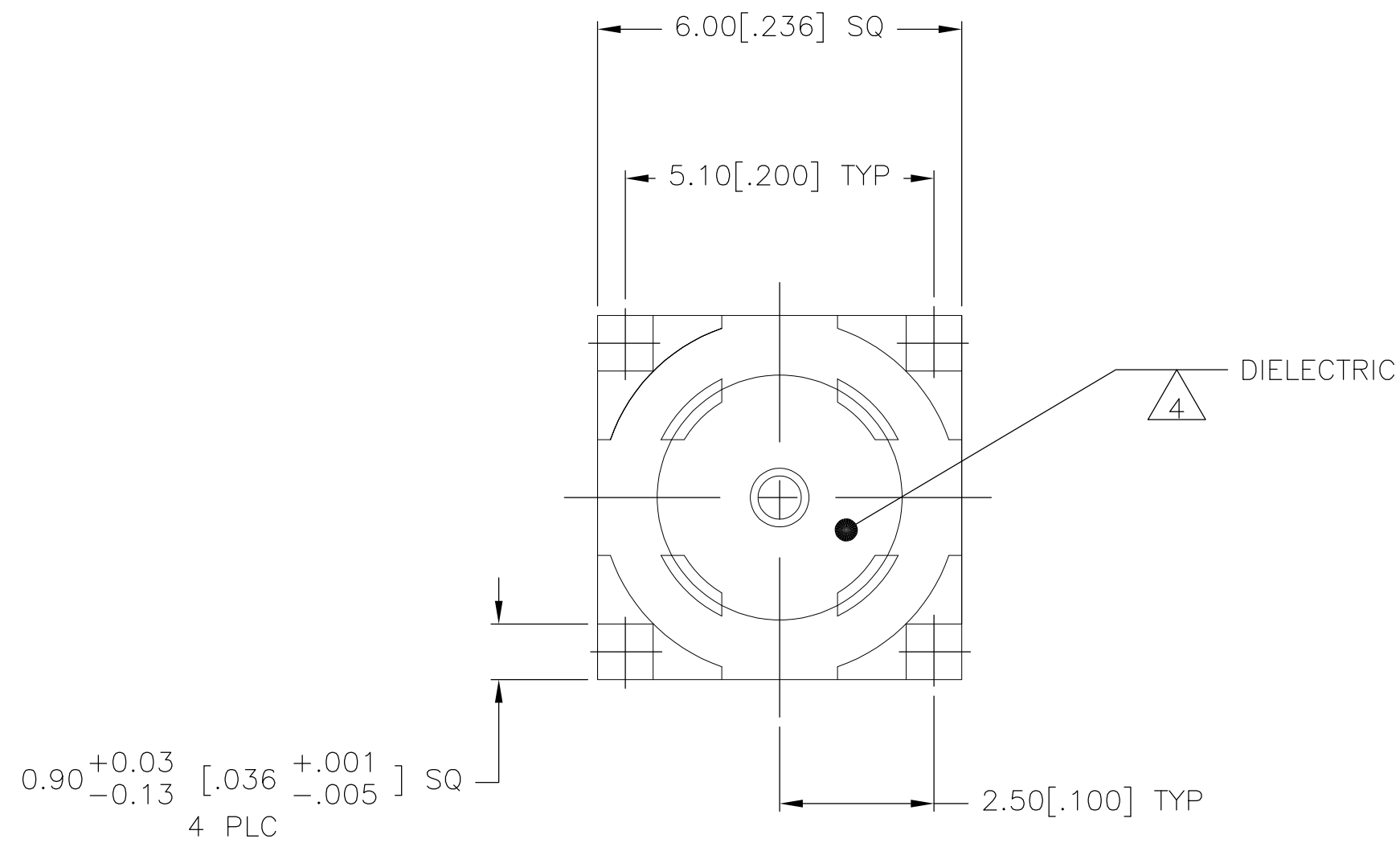
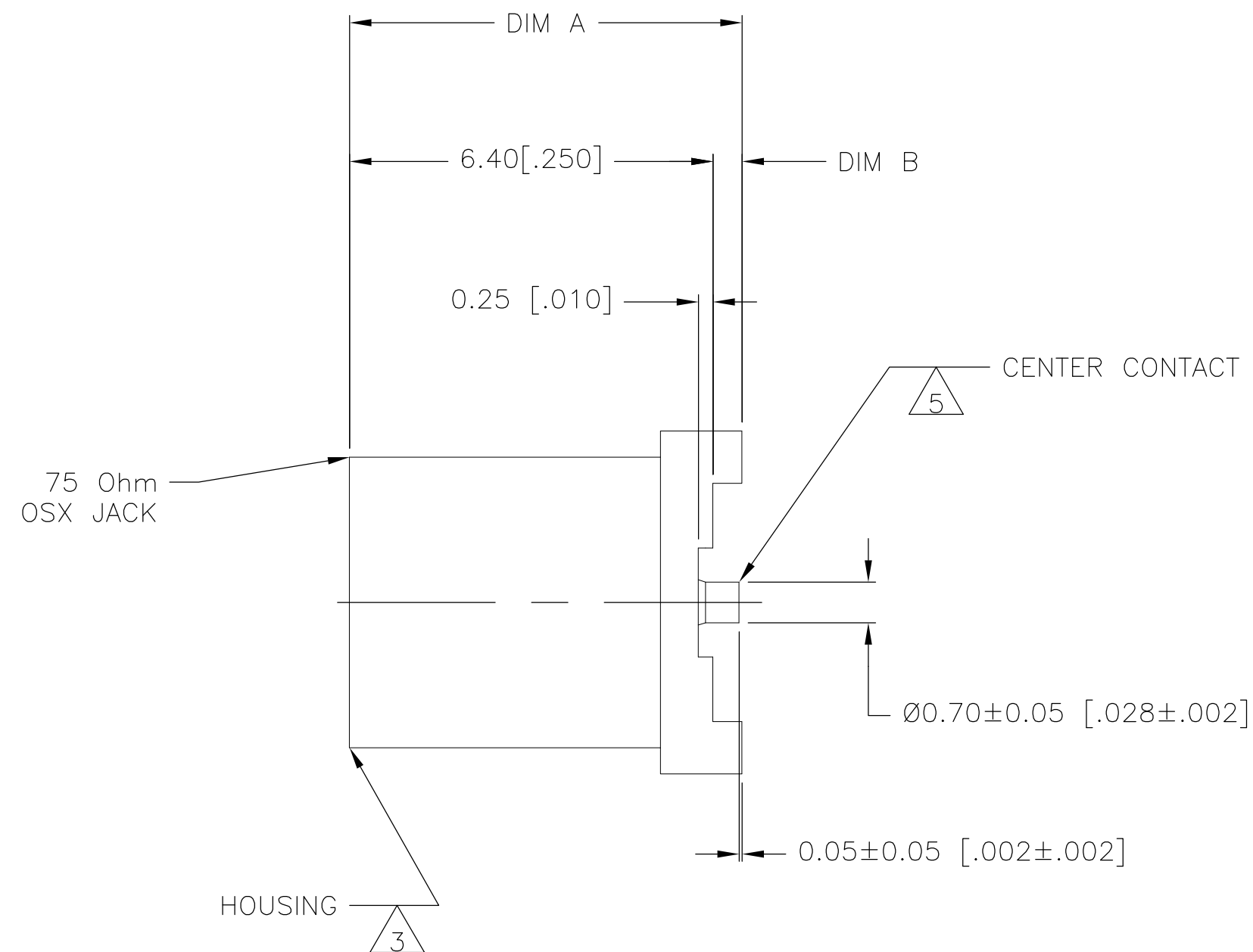


THIS DRAWING IS UNPUBLISHED. RELEASED FOR PUBLICATION
 © COPYRIGHT - By - ALL RIGHTS RESERVED.

LOC		DIST		REVISIONS			
P	LTR	DESCRIPTION		DATE	DWN	APVD	
		C1	ECR-12-005726	27MAR12	RK	MY	



- 1 GOLD PLATE PER ASTM B 488
- 2 BRIGHT NICKEL PLATE PER QQ-N-290
- 3 BRASS PER ASTM B 16
- 4 PTFE PER ASTM D 1710
- 5 BERYLLIUM COPPER PER ASTM B 197

OBSOLETE	3.80 [.155]	10.2 [.405]	1	2	1361169-2
	0.50 [.020]	6.90 [.270]	1	2	1361169-1
	DIM B	DIM A	CONTACT	HOUSING	PART NUMBER
FINISH					

THIS DRAWING IS A CONTROLLED DOCUMENT.		DWN	10-11-00	TE TE Connectivity																			
DIMENSIONS: mm [INCHES]		CHK	10-11-00																				
TOLERANCES UNLESS OTHERWISE SPECIFIED:		APVD	10-11-00																				
MATERIAL		FINISH																					
<table border="0"> <tr><td>0 PLC</td><td>±</td><td>-</td></tr> <tr><td>1 PLC</td><td>±</td><td>-</td></tr> <tr><td>2 PLC</td><td>±</td><td>0.20 [.008]</td></tr> <tr><td>3 PLC</td><td>±</td><td>-</td></tr> <tr><td>4 PLC</td><td>±</td><td>-</td></tr> <tr><td>ANGLES</td><td>±</td><td>-</td></tr> </table>		0 PLC	±	-	1 PLC	±	-	2 PLC	±	0.20 [.008]	3 PLC	±	-	4 PLC	±	-	ANGLES	±	-	PRODUCT SPEC		MCX 75 Ohm PRINTED CIRCUIT BOARD RECEPTACLE	
0 PLC	±	-																					
1 PLC	±	-																					
2 PLC	±	0.20 [.008]																					
3 PLC	±	-																					
4 PLC	±	-																					
ANGLES	±	-																					
		APPLICATION SPEC																					
		WEIGHT	-	SIZE	A2																		
		CUSTOMER DRAWING		CAGE CODE	00779																		
				DRAWING NO	C=1361169																		
				RESTRICTED TO	-																		
				SCALE	10:1																		
				SHEET	1 of 1																		
				REV	C1																		