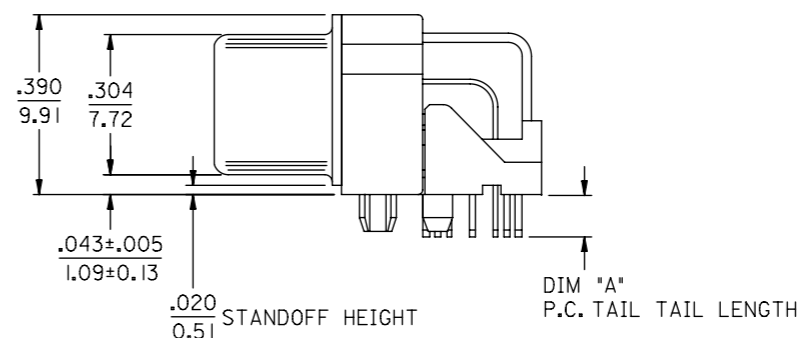


NOTES:

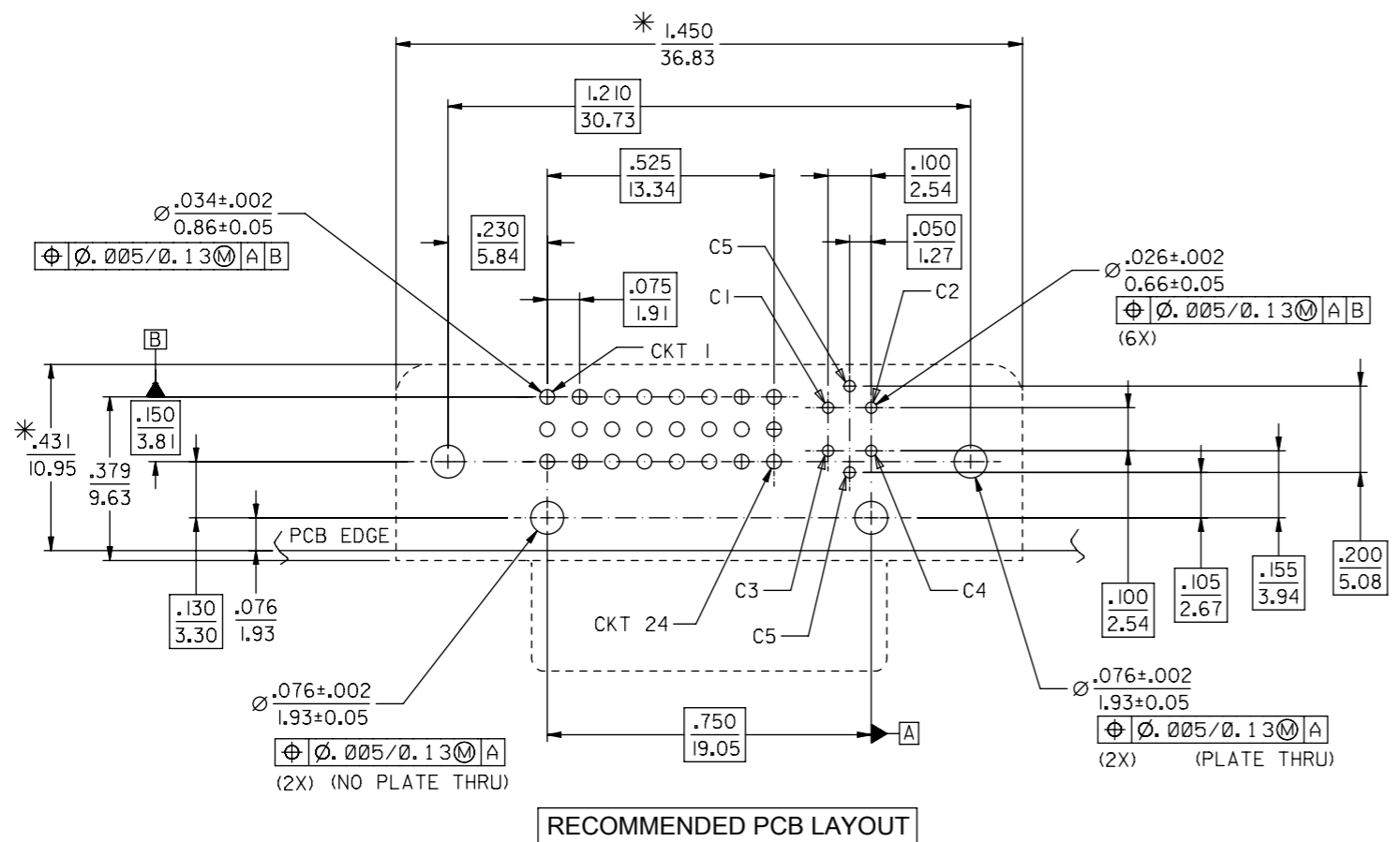
- MATERIAL:  
SHIELD: DEEP DRAW STEEL;  
HOUSING: LCP, UL94V-0, NATURAL (WHITE);  
TAIL ALIGNER: LCP, UL94V-0, NATURAL (WHITE);  
CONTACT: COPPER ALLOY.
  - PLATING: SEE SHEET 2.
  - PRODUCT CONFORMS TO MOLEX PRODUCT SPECIFICATION NUMBER PS-74320-001. REFER TO THIS SPECIFICATION FOR SPACING ON A P.C.B. OF TWO OR MORE CONNECTORS WHEN USING A CABLE OR AN ADAPTER ASSEMBLY.
  - SEE SHEET 2 FOR RECOMMENDED PANEL CUT-OUT AND P.C.B. LAYOUT.
  - PARTS WILL BE PACKAGED IN TRAYS PER PK-74320-010.
  - PRODUCT CONFORMS TO DDWG DVI SPECIFICATION. REFER TO THIS SPECIFICATION FOR CONNECTOR MATING DIMENSIONS.
  - RECOMMENDED MOUNTING HARDWARE IS MOLEX P/N 71781-0001 OR 82007-0300 OR 88780-6066. REFER TO PRODUCT SPECIFICATION NUMBER PS-74320-001 FOR THIS APPLICATION TORQUE REQUIREMENT FOR ASSMBLING MOUNTING HARDWARE.
- ⚠ CAVITY ID AND MANUFACTURING PLANT CODE.



PART NUMBER	PLATING OPTION	DIM A	DIM B
74320-1007	2	.123/3.12	.110/2.79
74320-1006	2	.110/2.79	.110/2.79
74320-1005	2	.050/1.27	2.03±0.51
74320-1004	2	.092/2.34	.080±.020
74320-1003	1	.123/3.12	.110/2.79
74320-1001	1	.050/1.27	2.03±0.51
74320-1000	1	.092/2.34	.080±.020

QUALITY SYMBOLS				THIS DRAWING CONTAINS INFORMATION THAT IS PROPRIETARY TO MOLEX ELECTRONIC TECHNOLOGIES, LLC AND SHOULD NOT BE USED WITHOUT WRITTEN PERMISSION				
FA = 0	CHANGE SHELL PLATING	EC NO: 118825	DRWN: XQZHANG	2016/08/16	CHK'D: XQZHANG	2016/08/15	2017/07/10	
FE = 0								
FB = 0								
FV = 0								
FC = 0								
FD = 0								
FE = 0								
FF = 0								
FG = 0								
FH = 0								
FI = 0								
General Tolerances (Unless Specified)	DIMENSION UNITS: INCH		SCALE: 1:1		<p>DVI - INTERGRATED RIGHT ANGLE, RECEPTACLE CONNECTOR</p>			
Angular Tol ± 1.0 °	DRWN BY: XQZHANG		DATE: 2014/12/10					
4 PLACES ± 0.01	CHK'D BY: XQZHANG		DATE: 2014/12/09					
3 PLACES ± 0.01	APPR BY: AYIN		DATE: 2015/02/09					
2 PLACES ± 0.01	DRAWING SIZE: A3		THIRD ANGLE PROJECTION		PRODUCT CUSTOMER DRAWING			
1 PLACE ±	DRAFT WHERE APPLICABLE MUST REMAIN WITHIN DIMENSIONS				SERIES: 74320	MATERIAL NUMBER: SEE TABLE	CUSTOMER: GENERAL MARKET	
0 PLACES ±					DOCUMENT NUMBER: SD-74320-001	DOC TYPE: PSD	DOC PART: 000	SHEET NUMBER: 1 OF 2

RELEASE STATUS	RELEASE DATE

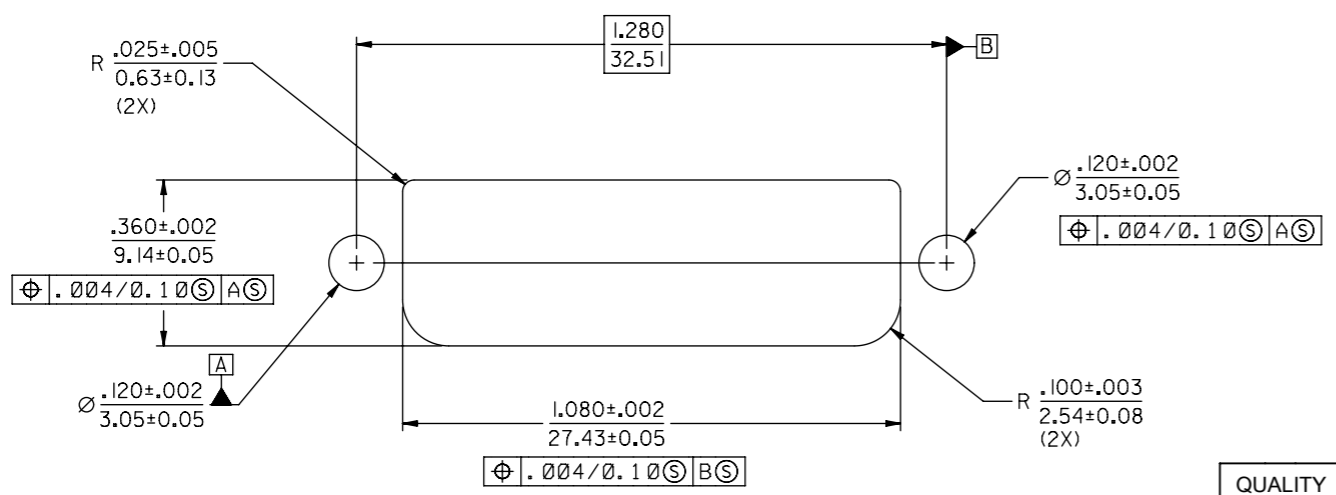


RECOMMENDED PCB LAYOUT

\* THESE DIMENSIONS REPRESENT CONNECTOR OVERLAY ON PCB.

PLATING OPTIONS:  
 PLATING OPTION #1:  
 OUT SHIELD -- 60u"/(1.5um) MIN. SOLDERABLE NICKEL OVER  
 30u"/(0.75um) MIN. COPPER OVERALL.  
 .075"/(1.91mm) CONTACTS -- 30u"/(0.75um) MIN. SELECT GOLD AND  
 100u"/(2.50um) MIN. SELECT PURE TIN  
 OVER 50u"/(1.27um) MIN. NICKEL OVERALL.  
 .100"/(2.54mm) CONTACTS -- 30u"/(0.75um) MIN. SELECT GOLD AND  
 100u"/(2.50um) MIN. SELECT PURE TIN  
 OVER 50u"/(1.27um) MIN. NICKEL OVERALL.

PLATING OPTION #2:  
 OUT SHIELD -- 60u"/(1.5um) MIN. SOLDERABLE NICKEL OVER  
 30u"/(0.75um) MIN. COPPER OVERALL.  
 .075"/(1.91mm) CONTACTS -- SELECT GOLD FLASH AND  
 100u"/(2.50um) MIN. SELECT PURE TIN  
 OVER 50u"/(1.27um) MIN. NICKEL OVERALL.  
 .100"/(2.54mm) CONTACTS -- SELECT GOLD FLASH AND  
 100u"/(2.50um) MIN. SELECT PURE TIN  
 OVER 50u"/(1.27um) MIN. NICKEL OVERALL.



RECOMMENDED PANEL CUT-OUT  
 PANEL THICKNESS: .030"-.040"

THIS DRAWING CONTAINS INFORMATION THAT IS PROPRIETARY TO MOLEX ELECTRONIC TECHNOLOGIES, LLC AND SHOULD NOT BE USED WITHOUT WRITTEN PERMISSION											
QUALITY SYMBOLS		CHANGE SHELL PLATING		GENERAL TOLERANCES (UNLESS SPECIFIED)		DIMENSION UNITS		SCALE			
FA	= 0	EC NO: 118825	DRWN: XQZHANG	ANGULAR TOL ± 1.0 °		INCH		1:1			
FE	= 0	2016/08/16	2016/08/15	4 PLACES ± 0.01		DRWN BY		DATE		PRODUCT CUSTOMER DRAWING	
FB	= 0	2017/07/10	2017/07/10	3 PLACES ± 0.01		XQZHANG		2014/12/10			
FC	= 0			2 PLACES ± 0.01		CHK'D BY		DATE		DOCUMENT NUMBER: SD-74320-001 DOC TYPE: PSD DOC PART: 000 SHEET NUMBER: 2 OF 2	
FD	= 0			1 PLACE ±		XQZHANG		2014/12/09			
FE	= 0			0 PLACES ±		APPR BY		DATE			
FF	= 0			DRAFT WHERE APPLICABLE MUST REMAIN WITHIN DIMENSIONS		AYIN		2015/02/09			
FG	= 0					DRAWING SIZE		THIRD ANGLE PROJECTION			
FH	= 0					A3					
FI	= 0										

RELEASE STATUS	RELEASE DATE
----------------	--------------