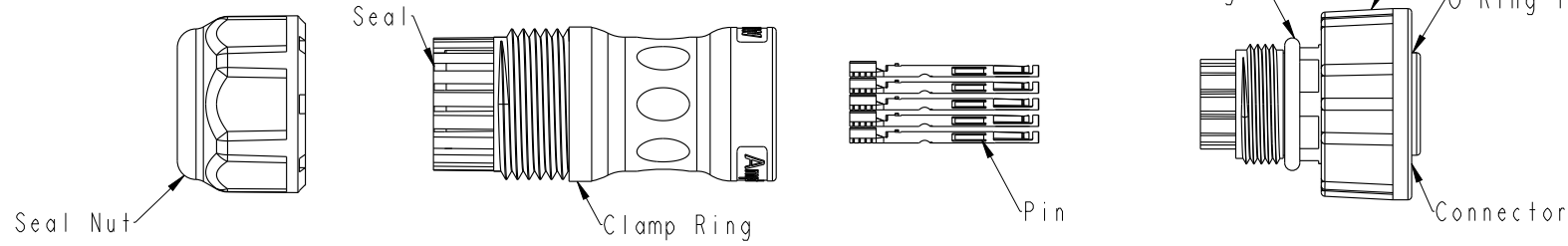


THIS DOCUMENT IS SUBJECT TO CHANGE WITHOUT NOTICE. IT IS CONFIDENTIAL AND A PROPERTY OF Amphenol LTW. DISCLOSURE TO THIRD PARTY HAS TO BE AUTHORIZED BY Amphenol LTW.

REV.	DESCRIPTION



**Material Specification:**

- \* Connector: Nylon+GF, Black.
- \* Pins: Copper Alloy, Gold Plated.
- \* Seal & O-Ring: Silicone, Gray.
- \* UL Rated: UL 94V-0, fl.
- \* RoHS Compliant.

**Electrical Specification:**

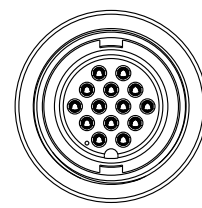
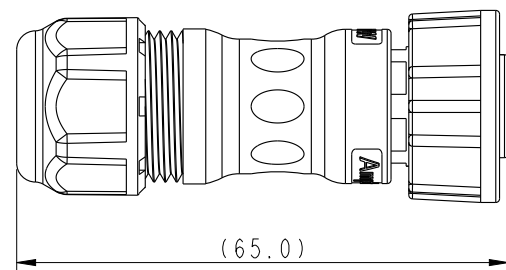
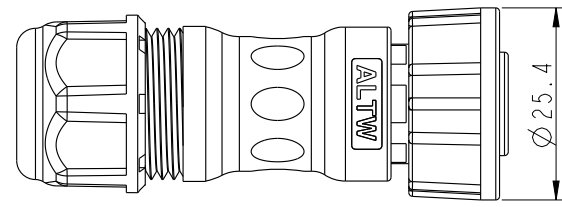
- \* Contact Resistance: 10mΩ Max.
- \* Insulation Resistance: 100MΩ Min.
- \* Dielectric Withstand Voltage: 1,600 Vac.

**Mechanical Specification:**

- \* Durability: 1000 Cycles.
- \* Tensile strength: 10 kgf.
- \* Wire Conductor:
  - 5A: 22AWG~20AWG
  - 10A: 18AWG~16AWG
  - 20A: 14AWG~12AWG
- \* Wire Insulation OD:
  - 5A: 1.9mm Max.
  - 10A: 2.7mm Max.
  - 20A: 4.3mm Max.
- \* Torque Force for Clamp Ring: 6~8 kgf-cm
- \* Torque Force for Seal Nut: 6~8 kgf-cm

**Environmental Specification:**

- \* Waterproof Rating: IP67(Mated)
- \* Temperature Range: -40°C to 105°C.
- \* Salt Spray: Mated, 1000 Hours.
- \* Safety Compliance: UL 1977.



UNIT:mm		
TOLERANCE		
±0.5 mm		

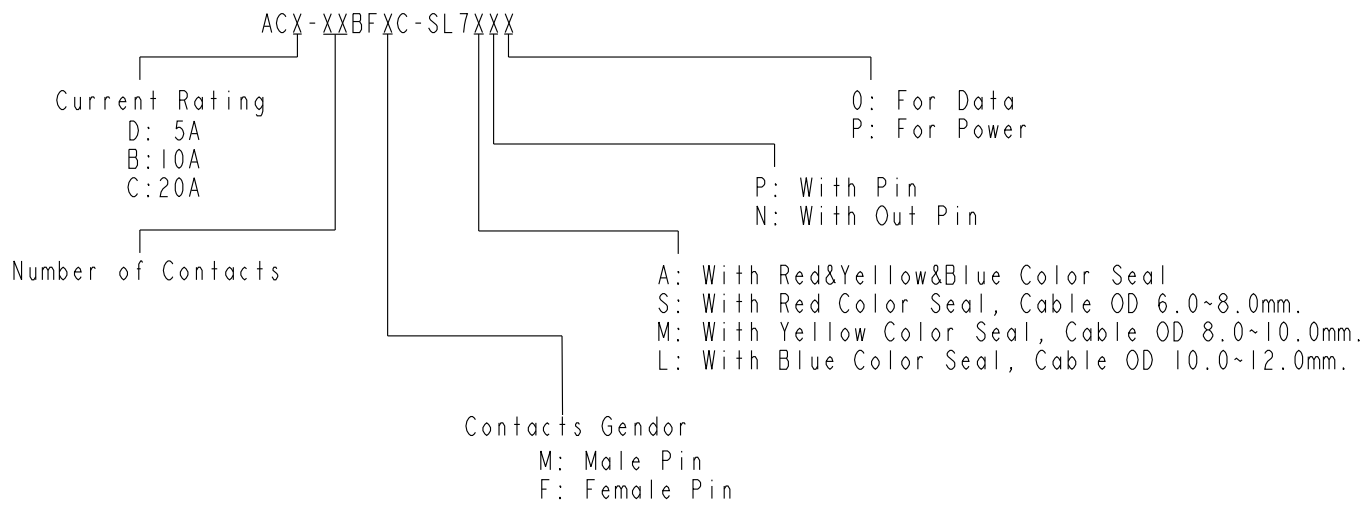
TITLE Circular C-Size Field Installable Cable Type F Conn			
SCALE 8:5	SIZE A4	SHEET 1 OF 2	
REV. A	WC-REV. A.3	QC: Inspection item	

**Amphenol LTW**  
安費諾亮泰企業股份有限公司

ITEM NO	DRAWN BY Peng	DATE 2018-12-15
DWG NO ACX-XXBFXC-SL7XXX	CHECKED BY Mafei	DATE 2018-12-15
CUSTOMER ALTW	APPROVED BY Jerry	DATE 2018-12-15

THIS DOCUMENT IS SUBJECT TO CHANGE WITHOUT NOTICE. IT IS CONFIDENTIAL AND A PROPERTY OF Amphenol LTW. DISCLOSURE TO THIRD PARTY HAS TO BE AUTHORIZED BY Amphenol LTW.

Ordering Information:



Pin Assignments Front View	20A ; 2 Contacts(02)	10A ; 4 Contacts(04)	10A ; 5 Contacts(05)	10A ; 6 Contacts(06)	5A ; 7 Contacts(07)	5A ; 8 Contacts(08)	5A ; 9 Contacts(09)	5A ; 10 Contacts(10)	5A ; 12 Contacts(12)	5A ; 14 Contacts(14)
Male Pin										
Female Pin										

UNIT:mm		TITLE Circular C-Size Field Installable Cable Type F Conn		
TOLERANCE ±0.5 mm		SCALE 8:5	SIZE A4	SHEET 2 OF 2
		REV. A	WC-REV. A.3	QC: Inspection item

**Amphenol LTW**  
 安費諾亮泰企業股份有限公司

ITEM NO	DRAWN BY Peng	DATE 2018-12-15
DWG NO ACX-XXBFXC-SL7XXX	CHECKED BY Mafei	DATE 2018-12-15
CUSTOMER ALTW	APPROVED BY Jerry	DATE 2018-12-15