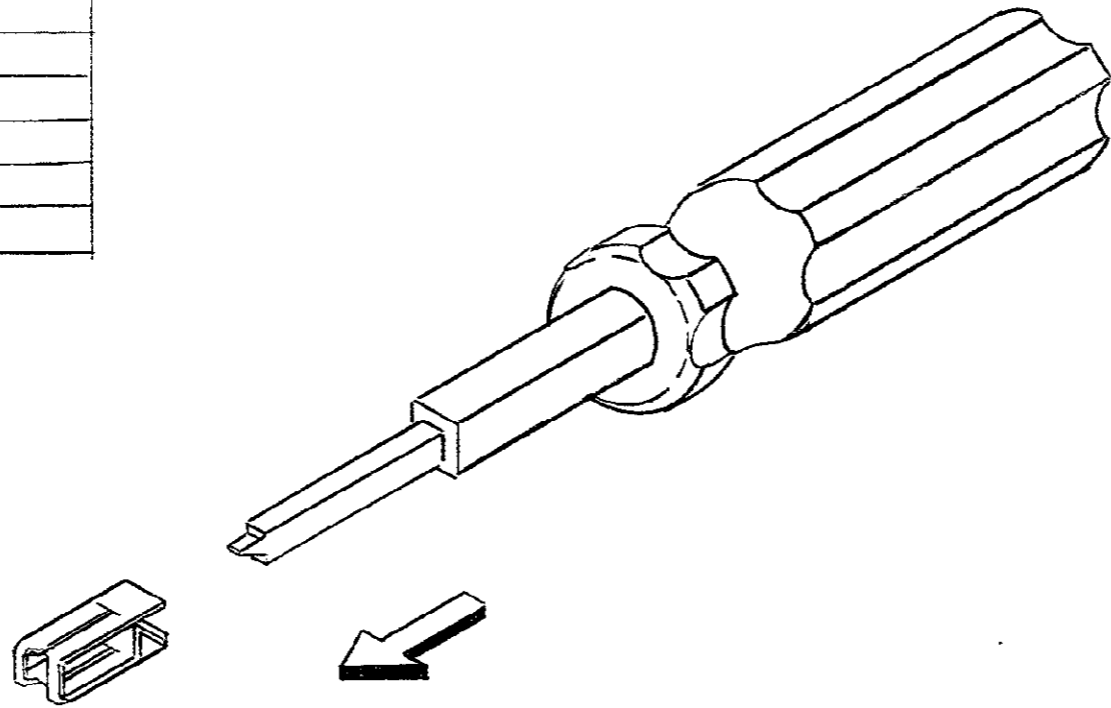


DRAWING MADE IN THIRD ANGLE PROJECTION

© COPYRIGHT 1977, 80 BY AMP INCORPORATED, HARRISBURG, PA.  
 ALL INTERNATIONAL RIGHTS RESERVED. AMP INCORPORATED PRODUCTS  
 COVERED BY U. S. AND FOREIGN PATENTS AND/OR PATENTS PENDING.

		1		LOC	A	DIST	✓
REVISIONS							
P	F	ZONE	LTR	DESCRIPTION		DATE	APPROVED
✓			A2	REDRAWN w/o CHANGE		5/7/80	SC

D	274250-1	274250-2
	INSERTS TERMINALS	
	62348	62420
	62381	62524
	62404	62833
	62421	62912
	62429	62935
	62431	
	62455	
	62456	
C	62525	
	62526	
	62527	
	62528	



TOOL, INSERTION, MAGNET WIRE TERMINAL, POKE-IN		SEE TABLE
DESCRIPTION		PART NO
UNLESS OTHERWISE SPECIFIED DIMENSIONS ARE IN INCHES. TOLERANCES ON: DECIMALS ± # ANGLES ± #	CONTRACT NO	AMP INCORPORATED Harrisburg, Pa.
	DR <i>Sue Catalano</i> 4-24-80	
MATERIAL HANDLE-PLASTIC SHANK-STEEL	CHK <i>JRG</i>	NAME TOOL, INSERTION, MAG. WIRE TERMINAL (M.W.I.S.)
	APPD	
FINISH HANDLE-BLACK SHANK-BLACKEN	ABPD <i>M. L. Hughes</i>	SIZE <b>B</b>
	OSGN APPD	CODE IDENT NO <b>00779</b>
OTHER APPD <i>M. L. Hughes 5/7/80</i>	DRAWING NO <b>274250</b>	SHEET <b>1 OF 1</b>
	SCALE <b>1:1</b>	