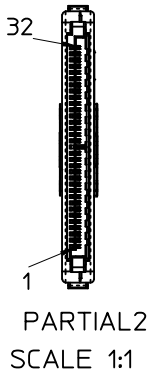
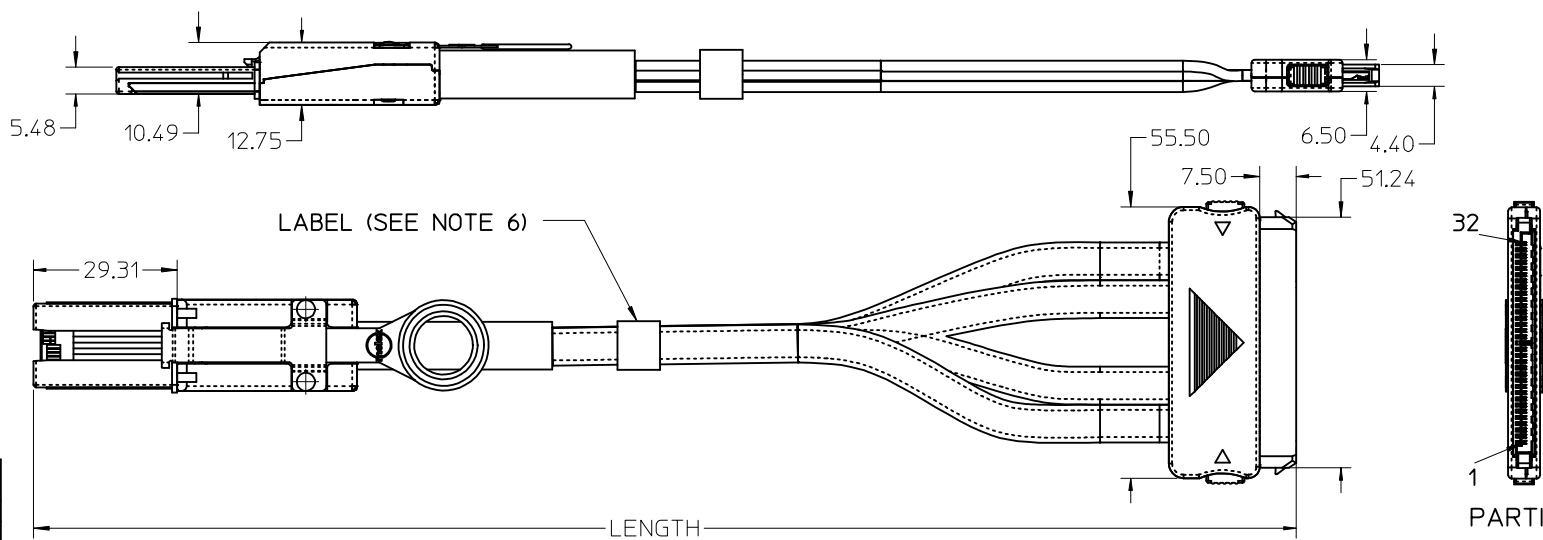
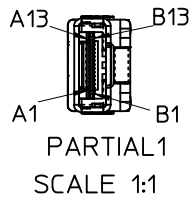


10 9 8 7 6 5 4 3 2 1



SAS 26 CKT PIN	SIGNAL DESC	SIGNAL DESC	SFF-8484 PIN
B1	SGND	SGND	1
A2	Tx0+	Rx0+	2
A3	Tx0-	Rx0-	3
A1	SGND	SGND	4
B2	Rx0+	Tx0+	5
B3	Rx0-	Tx0-	6
B4	SGND	SGND	7
A5	Tx1+	Rx1+	8
A6	Tx1-	Rx1-	9
A4	SGND	SGND	10
B5	Rx1+	Tx1+	12
B6	Rx1-	Tx1-	11
NC	SGND	SGND	13
		NC	14
		NC	15
		NC	16
		NC	17
		NC	18
		NC	19
B7	SGND	SGND	20
A8	Tx2+	Rx2+	21
A9	Tx2-	Rx2-	22
A7	SGND	SGND	23
B8	Rx2+	Tx2+	24
B9	Rx2-	Tx2-	25
B10	SGND	SGND	26
A11	Tx3+	Rx3+	27
A12	Tx3-	Rx3-	28
A10	SGND	SGND	29
B11	Rx3+	Tx3+	31
B12	Rx3-	Tx3-	30
NC	SGND	SGND	32

SGND= SIGNAL GROUND
NC= NOT CONNECTED

P/N	DESC	LENGTH
74558-1001	SAS 26 CKT TO INTERNAL SFF-8484	0.5M
74558-1002	SAS 26 CKT TO INTERNAL SFF-8484	1.0M

- NOTES:
1. LENGTH- SEE TABLE
 2. ELECTRICAL PERFORMANCE PER SERIAL ATTACH SCSI
 3. ASSEMBLY IS TO BE RoHS COMPLIANT BY JULY 1, 2005
 4. SFF-8484 MATES WITH:
RIGHT ANGLE: 87861
VERTICAL: 87862
 5. 1-PASS 4X EXTERNAL (UNIVERSAL KEY) MATES WITH:
RECEPTICAL: 75586-0004
EMI GUIDE HOUSING ASSEMBLY: 74548-0103 TO 0111,
74548-0203 TO 0211
 6. LABEL
MOLEX P/N
MOLEX
MADE IN CHINA
YDDD

ENTER DESCRIPTION EC NO: USY2008-0160 DRAWN: SYTSM 2007/11/14 CHKD: 2007/11/15 APPR: DDOYE 2007/11/26 REV DESCRIPTION	QUALITY SYMBOLS ▽=0 ▽=0	GENERAL TOLERANCES (UNLESS SPECIFIED)	DIMENSION STYLE MM/IN	SCALE 1:1	DESIGN UNITS METRIC	THIRD ANGLE PROJECTION
	4 PLACES ± --- ±.0002	mm INCH	DRAWN BY DATE JERWIN 2005/11/02	TITLE SAS 26 CKT TO INTERNAL SFF-8484 PLUG TO PLUG CROSSOVER		
	3 PLACES ± --- ±.005	2 PLACES ± 0.13 ±.01	CHECKED BY DATE THALL 2005/11/02	MATERIAL NO. SEE TABLE		
	1 PLACE ± 0.25 ± ---	ANGULAR ±1/2°	APPROVED BY DATE DDOYE 2005/11/02	DOCUMENT NO. SD-74558-110		
DRAFT WHERE APPLICABLE MUST REMAIN WITHIN DIMENSIONS		MATERIAL NO. SEE TABLE		DOCUMENT NO. SD-74558-110		SHEET NO. 1 OF 1
THIS DRAWING CONTAINS INFORMATION THAT IS PROPRIETARY TO MOLEX INCORPORATED AND SHOULD NOT BE USED WITHOUT WRITTEN PERMISSION						

9 8 7 6 5 4 3 2 1