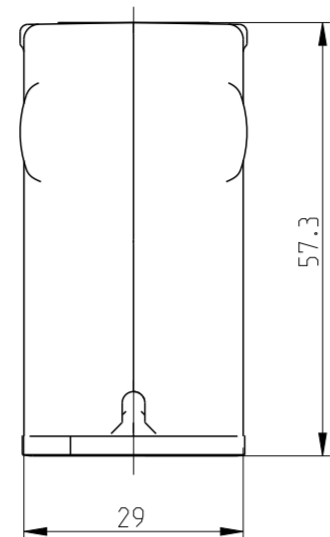
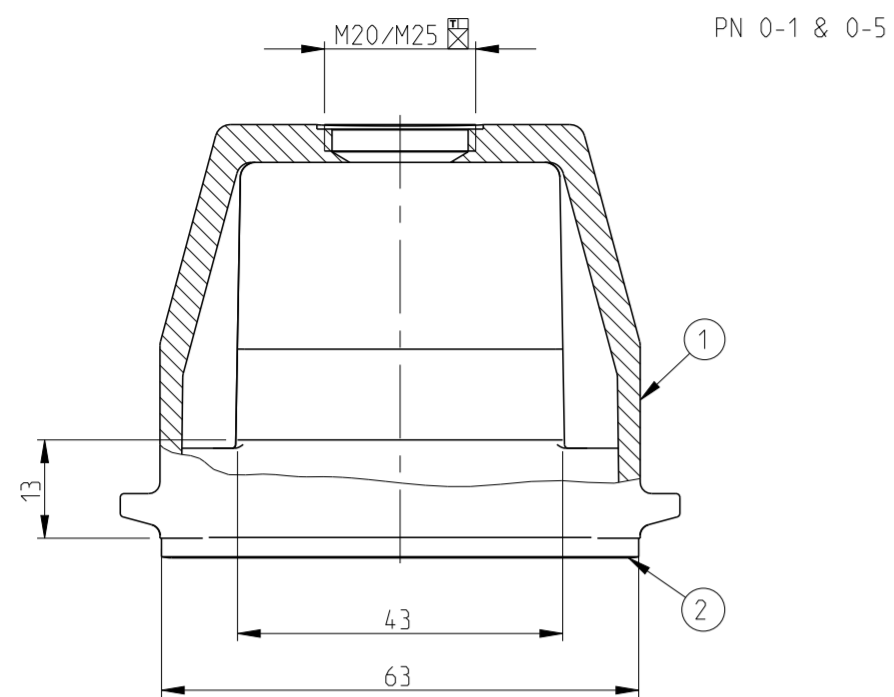
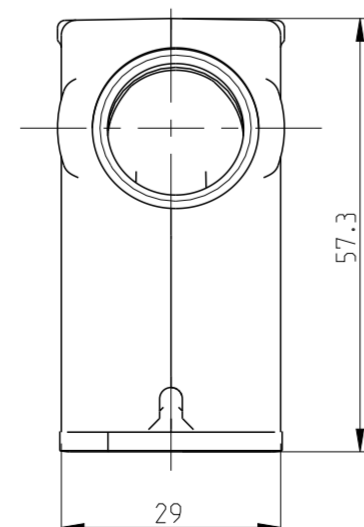
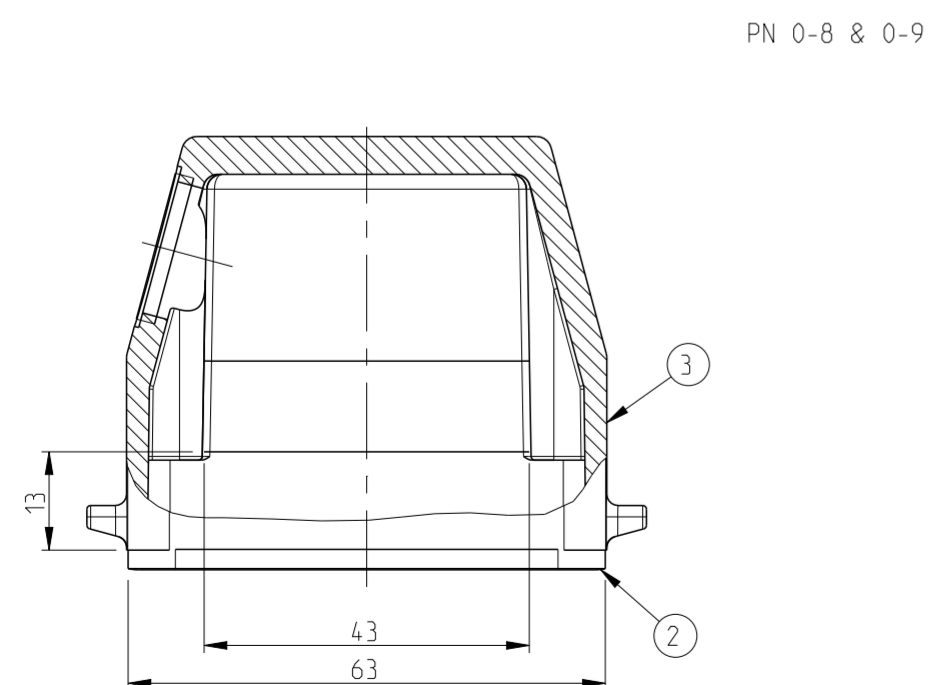
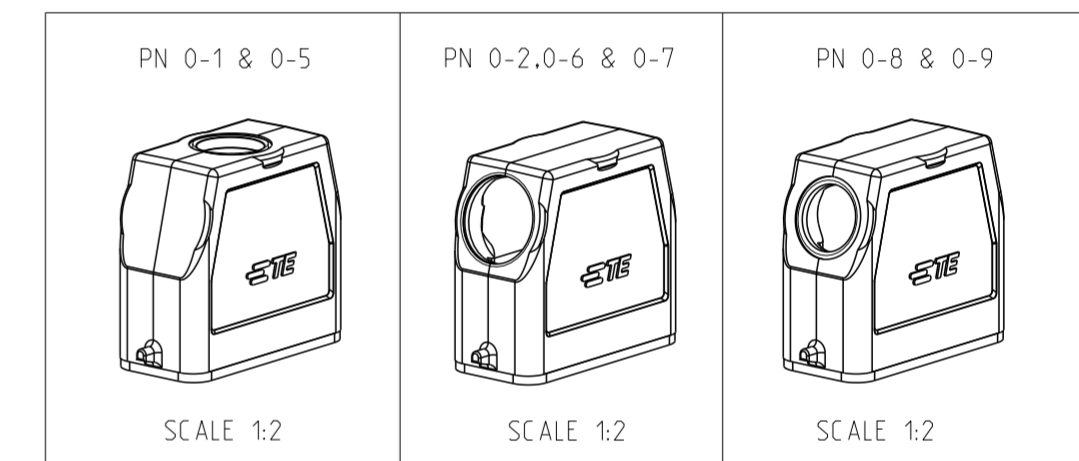
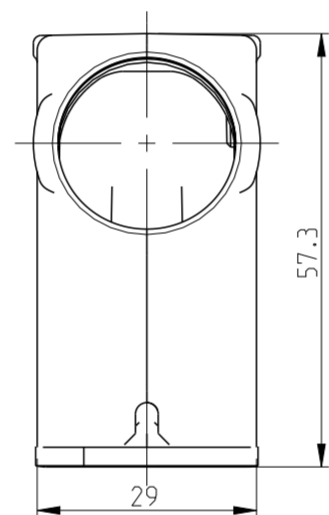
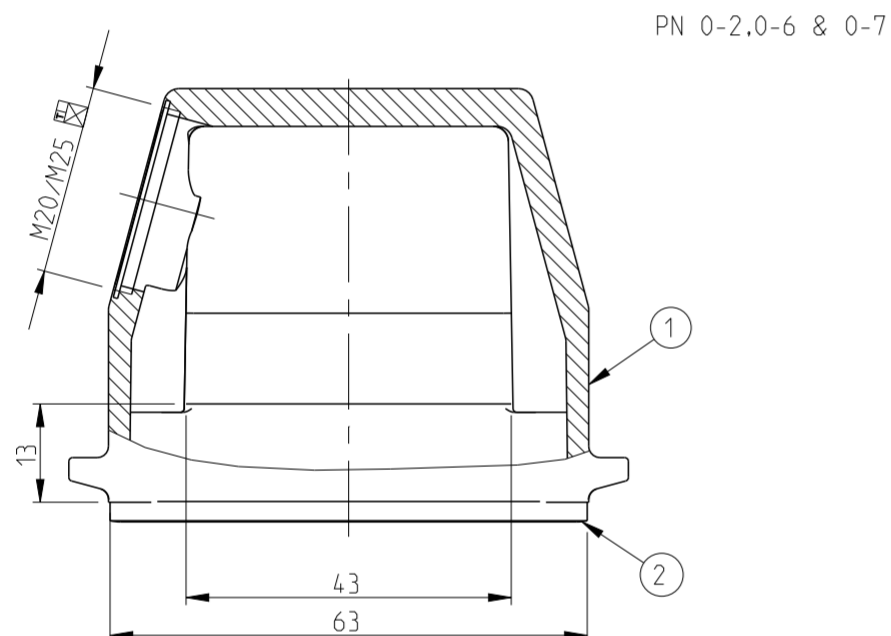


THIS DRAWING IS UNPUBLISHED. RELEASED FOR PUBLICATION .2000  
© COPYRIGHT 2000 BY - ALL RIGHTS RESERVED.

REVISIONS					
P	LTR	DESCRIPTION	DATE	DWN	APVD
D2		Released as per ECR-08-019097	30Jul2008	SP	TS
D3		ECR-16-016696	15SEP2017	GA	MKO
D4		REVISED PER ECR-17-014013	12FEB2018	SRG	MKO
D5		ECR-21-123564	02AUG2022	RK	JB



- NOTES.
- 1 Material:Housing:Aluminium Diecasting Alloy  
Seals:Neoprene
  - 2 Surface:Varnish grey
  - 3 Varnish on the inside not necessary
  - 4 Packaging  
Quantity 5 Pieces in a box
- △ Special Packaging



QTY	DESCRIPTION	MATERIAL	SURFACE	COLOR	ITEM NO	REMARKS
1	Hood	Chromital TCP passivation		Black RAL 9005	3	
1	Profile seal	Neoprene		Black	2	
1	Hood	Aluminium		Grey RAL 7001	1	

ORDERING TEXT

HA.10.ST0.1.M20.G

HA.10.STS.1.M20.G

HA.10.STS.1.M20.G-KM

HA.10.ST0.1.M25.G

HA.10.STS.1.M25.G

HA-EMV.10.STS.1.M20.G

HA-EMV.10.STS.1.M25.G

THIS DRAWING IS A CONTROLLED DOCUMENT.

DWN: R.SRINIVAS 03.03.2006  
CHK: R.SRINIVAS 03.03.2006  
APVD: T.SCHNURPEIL 03.03.2006

**STE** TE Connectivity

NAME: Hood  
HA.10.ST0/STS.1.M20.G

SIZE: A2 CAGE CODE: 100779 DRAWING NO: 1106411 RESTRICTED TO: 05

SCALE: 1:1 SHEET: 1 OF 1

CUSTOMER DRAWING