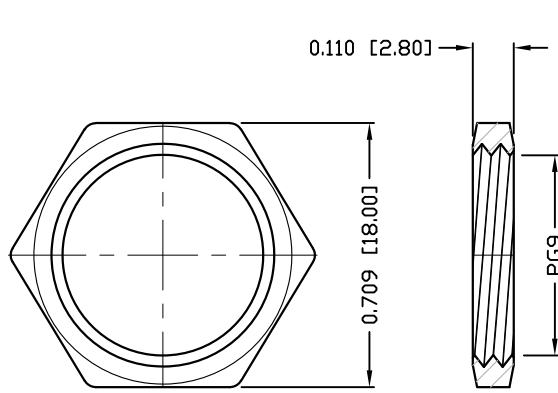
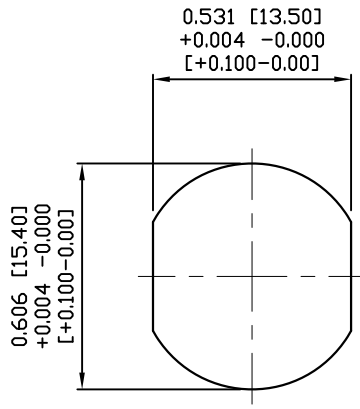


NOTE:

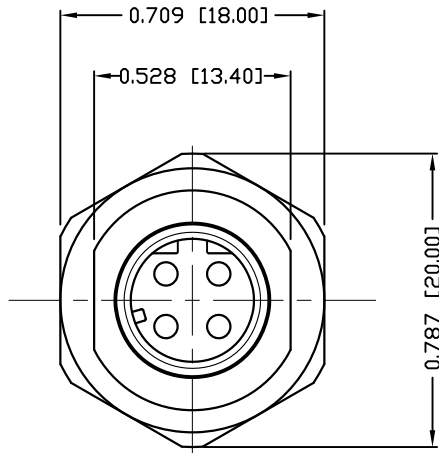
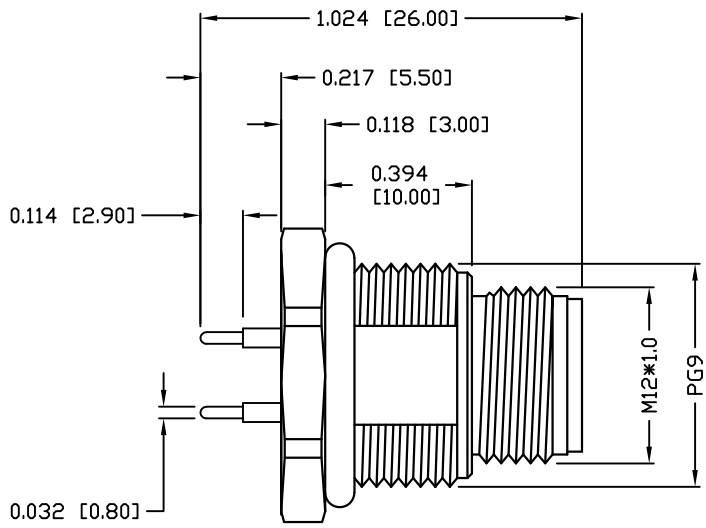
MATERIAL	
HOUSING:	PBT UL94V-0, BLACK
CONTACT:	BRASS
NUT:	BRASS
SHELL:	BRASS
O-RING:	EPDM, BLACK
FINISH	
CONTACT:	GOLD PLATED OVER 50u" NICKEL
NUT:	NICKEL PLATED 60u" TO 100u"
SHELL:	NICKEL PLATED 60u" TO 100u"
ELECTRICAL	
RATED CURRENT:	4A
RATED VOLTAGE:	250V
INSULATION RESISTANCE:	100 MΩhms MIN.
CONTACT RESISTANCE:	10 mΩhms MAX.
WATER PROOF:	IP67
ENVIRONMENT	
OPERATION TEMPERATURE:	-40°C TO +85°C



NUT



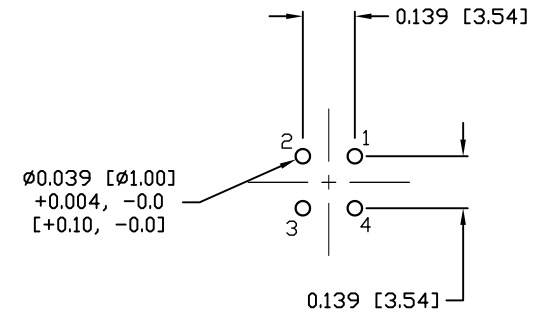
PANEL CUT-OUT



3 = BRASS/NICKEL SHELL & NUT
S = STAINLESS STEEL SHELL & NUT

860RD04-113R00Y

1 = GOLD FLASH
4 = 10u" GOLD



RECOMMEND P.C.B LAYOUT

RoHS COMPLIANT

UNITS = INCHES [MM]

DO NOT SCALE FROM DRAWING



THESE DRAWINGS AND SPECIFICATIONS ARE THE PROPERTY OF NorComp AND SHALL NOT BE REPRODUCED, COPIED OR USED AS THE BASIS FOR THE MANUFACTURE OR SALE OF APPARATUS WITHOUT WRITTEN PERMISSION.

DRAWN: M. SIGMON

DATE: 07-26-16

NorComp

SCALE: NTS

SHEET 1 OF 1

REV 2

DWG NO.

860RD04-113R00Y