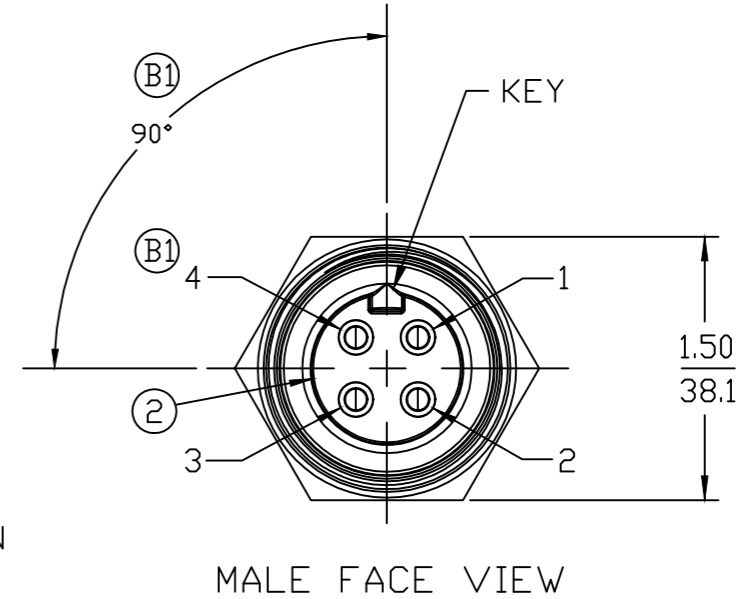
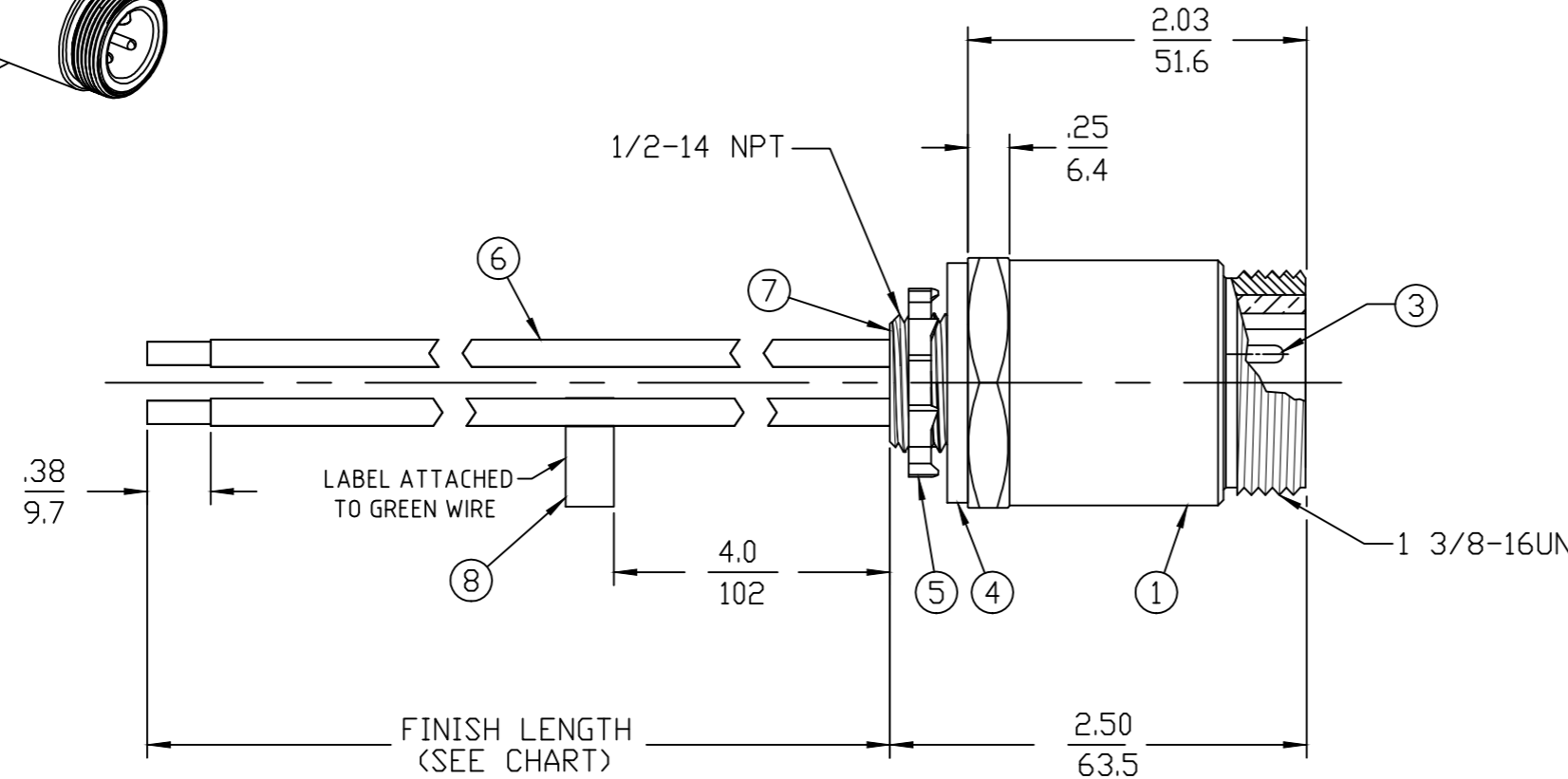
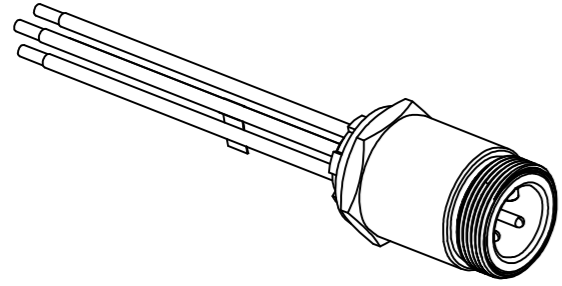


PART NUMBER	ENGINEERING NUMBER	FINISH LENGTH
1300660170	CR4006A30M005	1.64' [0.5M]
1300660171	CR4006A30M010	3.28' [1M]
1300660182	CR4006A30M120	39.37' [12M]

PART NUMBER LEGEND
CR4006A30M005
LENGTH
M005 = 0.5 METER
M010 = 1 METER
M100 = 10 METER

CABLE LENGTH TOLERANCES	
<.3M [1FT]:	+19mm-0 [+.75in-0]
.3 - .9M [1 - 3FT]:	+44.5mm-0 [+1.75in-0]
.9 - 1.8M [3 - 6FT]:	+55.6mm-0 [+2.19in-0]
1.8 - 3.7M [6 - 12FT]:	+88.9mm-0 [+3.50in-0]
3.7 - 7.3M [12 - 24FT]:	+165.1mm-0 [+6.50in-0]
7.3-14.6M [24 - 48FT]:	+317.5mm-0 [+12.50in-0]
14.6 - 30.5M [48-100FT]:	+622.3mm-0 [+24.50in-0]
OVER 30M [100FT]	+2% OF FINISHED LENGTH



- NOTES:**
1. MATERIAL: AS NOTED
 2. FINISH: AS NOTED
 3. ELECTRICAL:
VOLTAGE: 4P: 500V PER IEC60664
600V PER UL2237
CURRENT: 32A
 4. TEMP RATING: -20°TO +90°C
 5. PROTECTION: IP67 (WHEN MATED)
 6. UL LISTED FILE: E258922
 7. ALL DIMS ARE FOR REFERENCE UNLESS NOTED OR TOLERANCED OTHERWISE

ITEM	DESCRIPTION	MATERIAL	FINISH
8	FLAG LABEL	VINYL	YELLOW/BLACK
7	POTTING	EPOXY	BLACK
6	WIRE 10AWG (UL 1015)	PVC JACKET	SEE WIRING DIAGRAM
5	LOCKNUT	STEEL	ZINC PLATED
4	GASKET	NEOPRENE	BLACK
3	CONTACT PIN	COPPER ALLOY	GOLD PLATED
2	MALE INSERT, 4 POLE	TPE	BLACK
1	RECEPTACLE SHELL	ALUMINUM	CLEAR ANODIZED



THIS DRAWING CONTAINS INFORMATION THAT IS PROPRIETARY TO MOLEX ELECTRONIC TECHNOLOGIES, LLC AND SHOULD NOT BE USED WITHOUT WRITTEN PERMISSION										
FUNCTIONAL SYMBOLS	DIMENSION UNITS	SCALE	CURRENT REV DESC: CORRECT PINOUT, INSERT WAS PVC, GREEN-YELLOW WAS GREEN, ADD 90 DEG KEY ANGLE							
	INCH/MM	1:1	molex BRAD POWER RECEPTACLE QC, MALE, 4 POLE, SINGLE KEY, 10AWG							
DIVISIONAL SYMBOLS	GENERAL TOLERANCES (UNLESS SPECIFIED)									EC NO: 646752 DRWN: RSTONE 2020/10/07 CHK'D: CCHRSTKA 2020/10/09 APPR: BWOODMAN 2020/10/12 INITIAL REVISION: DRWN: CLYORK 2010/01/18 APPR: DTITUS 2010/01/20
	4 PLACES ±----		mm INCH		PRODUCT CUSTOMER DRAWING DOCUMENT NUMBER: SD-130066-054 DOC TYPE: PSD DOC PART: 001 REVISION: B1					
3 PLACES ±----		±----		MATERIAL NUMBER: 130066 CUSTOMER: GENERAL MARKET SHEET NUMBER: 1 OF 1						
2 PLACES ±----		±----		DRAFT WHERE APPLICABLE MUST REMAIN WITHIN DIMENSIONS THIRD ANGLE PROJECTION DRAWING: B-SIZE SERIES: 130066						
1 PLACE ±----		±----								
0 PLACES ±----		±----								
ANGULAR TOL ± ---- °										