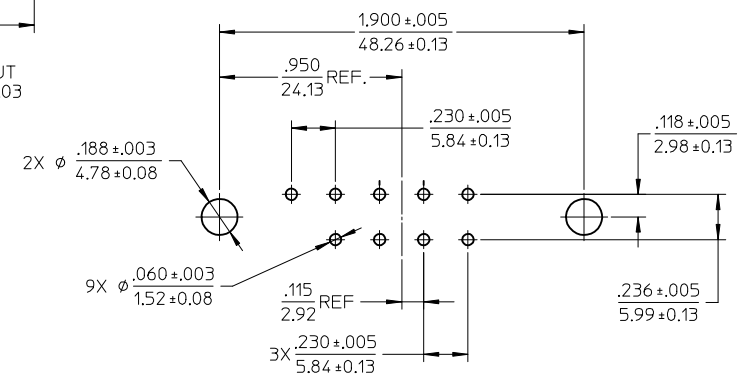
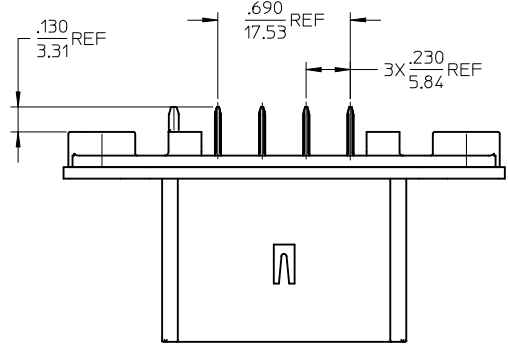
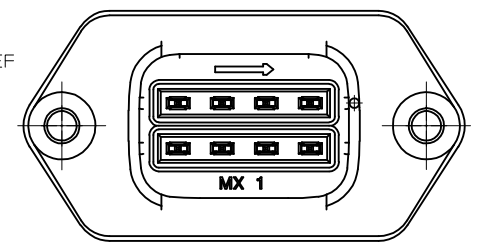
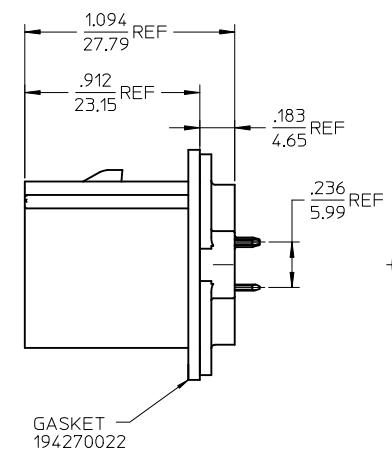
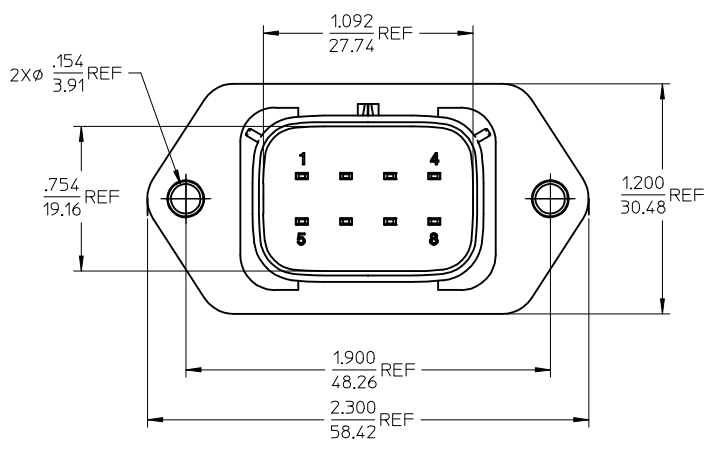


RECOMMENDED PANEL CUTOUT
 MAX PANEL THICKNESS .080/2.03



RECOMMENDED PCB LAYOUT
 COMPONENT VIEW
 TOLERANCES ARE NON-ACCUMULATIVE



MATERIAL NUMBER	TERMINAL PLATING
194280013	TIN
194280029	SELECT GOLD/TIN

- NOTES:
- MATERIALS:
 HOUSING: POLYESTER (PBT), GLASS FILLED, UL94 V-0,
 COLOR: BLACK
 TERMINALS: COPPER ALLOY
 - FINISHES: 1. TIN ONLY: 100 μ N TIN OVER 50 μ N NICKEL
 2. TIN/GOLD: 30 μ N SELECT GOLD (CONTACT MATING AREA),
 100 μ N SELECT TIN (PCB TAIL AREA) OVER 50 μ N NICKEL OVERALL.
 - PRODUCT SPECIFICATION: PS-19428-001.
 - PACKAGING SPECIFICATION: PK-19428-002.
 - MATES WITH: 19418 SERIES RECEPTACLE ASSEMBLIES.

PRODUCTION RELEASE EC NO: ETC2005-0213 DRWN: JPAWLICK 2005/06/10 CHKD: JPAWLICK 2005/06/14 APPR: RDEROSS 2005/06/14	QUALITY SYMBOLS ▽=0 ▽=0	GENERAL TOLERANCES (UNLESS SPECIFIED) <table border="1"> <tr> <th></th> <th>mm</th> <th>INCH</th> </tr> <tr> <td>4 PLACES</td> <td>\pm---</td> <td>\pm---</td> </tr> <tr> <td>3 PLACES</td> <td>\pm---</td> <td>\pm.015</td> </tr> <tr> <td>2 PLACES</td> <td>\pm0.38</td> <td>\pm---</td> </tr> <tr> <td>1 PLACE</td> <td>\pm---</td> <td>\pm---</td> </tr> </table>		mm	INCH	4 PLACES	\pm ---	\pm ---	3 PLACES	\pm ---	\pm .015	2 PLACES	\pm 0.38	\pm ---	1 PLACE	\pm ---	\pm ---	DIMENSION STYLE IN/MM DRAWN BY: BRUPERT DATE: 04/06/16 CHECKED BY: JPAWLICK DATE: 04/06/16 APPROVED BY: RDEROSS DATE: 04/06/16	SCALE: 2:1 DESIGN UNITS: INCH THIRD ANGLE PROJECTION	TITLE: 8-WAY STRAIGHT HEADER ASSEMBLY, SHORT VERSION
		mm	INCH																	
	4 PLACES	\pm ---	\pm ---																	
	3 PLACES	\pm ---	\pm .015																	
2 PLACES	\pm 0.38	\pm ---																		
1 PLACE	\pm ---	\pm ---																		
MATERIAL NO. SEE CHART	DRAFT WHERE APPLICABLE MUST REMAIN WITHIN DIMENSIONS	MOLEX INCORPORATED	DOCUMENT NO. SD-19428-005	SHEET NO. 1 OF 1	THIS DRAWING CONTAINS INFORMATION THAT IS PROPRIETARY TO MOLEX INCORPORATED AND SHOULD NOT BE USED WITHOUT WRITTEN PERMISSION															