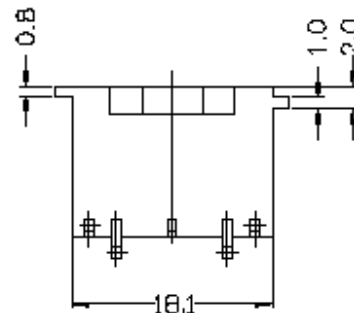
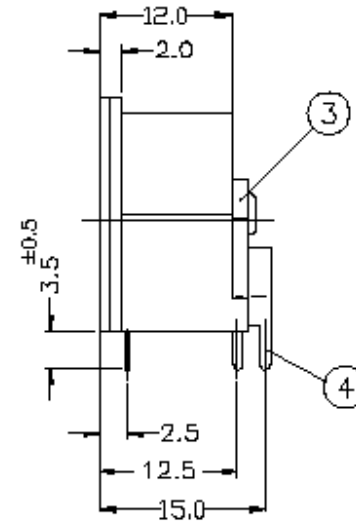
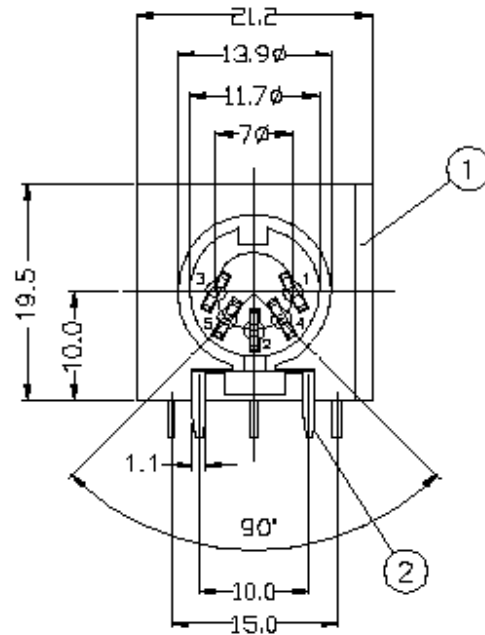
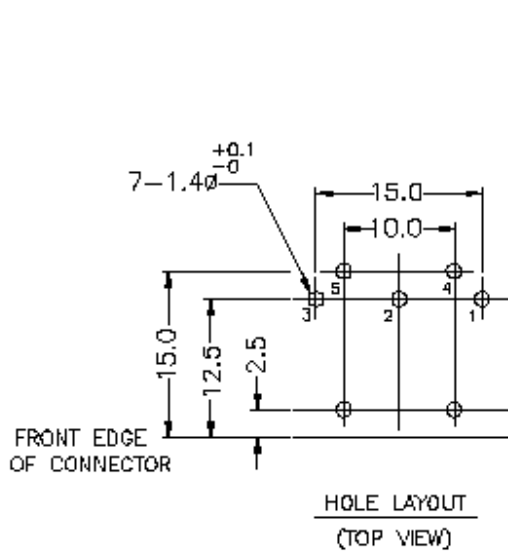



PROPRIETARY INFORMATION:
 PROPRIETARY OF GLOBTEK, INC. ANY REPRODUCTION, DISCLOSURE OR
 USE OF THIS DRAWING, IN WHOLE OR IN PART, IS HEREBY
 PROHIBITED EXCEPT AS SPECIFIED IN WRITING BY GLOBTEK, INC.

REVISION			
REV	DESCRIPTION	DATE	APPROVED
A	INITIAL RELEASE, RFS. 5981, GC	04/12/05	DMR



- SPECIFICATIONS:
- CURRENT RATING: AC: 100V 1A
DC: 24V 2A
 - CONTACT RESISTANCE: 20mΩ MAX.
 - INSULATION RESISTANCE: DC 500V 100MΩ MIN.
 - VOLTAGE WITHSTANDING: AC 500V 1 MINUTE
 - INSERTION FORCE: 4Kg MAX.
 - WITHDRAWAL FORCE: 1Kg MIN.
 - LIFE TEST: 5,000 CYCLES MIN. AFTER TESTING,
CONTACT RESISTANCE SHALL NOT EXCEED 100mΩ

DASH NO.	PART NO	REV.	DESCRIPTION	NOTES
TABULATION BLOCK				
		TOLERANCES: DECIMALS ANGULAR .xx +/- 0.1 +/- 1° .xxx +/- .005		 GlobTek, Inc. www.globtek.com 186 Veterans Dr. Northvale, NJ 07647 Tel. 201-784-1000 Fax 201.784.0111
		MILLIMETERS ANGULAR .xx +/- 0.3 +/- 1° .xxx +/- .013		
INIT.BY: GC	DATE: 04/12/05	DWG TITLE: 5P 180° DIN CONNECTOR		
DRAWN: NF	DATE: 04/12/05	FSCN No.: G, CC, YL	SIZE A	MODEL:
APRVD: DMR	DATE: 04/12/05	SCALE: NONE	PART NO: G-1006	REV. A
				SHEET 1/1

Foot Note:
 Globtek Inc. will not be liable for the safety and performance of these power product if unauthorized access and repair occurs. End user should consult the applicable UL, CSA or EN Standards for proper installation instruction.

Limitation of Use:
 Globtek product are not authorized for use as mission critical components in life support, hazardous environment, nuclear or aircraft applications without prior written approval from the CEO of Globtek Inc.

Contents of this document are subject to change without prior notice