

**Ratings**

Voltage: 150 V  
 Temperature: -40~70 °C

**Conductor**

Conductor count: 10  
 Gauge: 20 AWG 0.51 mm<sup>2</sup>  
 Material: Tinned copper strands  
 Strand size:  $\phi 0.1 \times 65$   
 Resistance at 20 °C: 36.7  $\Omega$  /km Max

**Insulator**

Material: HDPE  
 Color: black, white, red, yellow, blue, green, orange, purple, gray, brown  
 Diameter:  $\phi 1.45 \pm 0.10$  mm  
 Nominal thickness: 0.24 mm  
 Resistance at 20 °C: 100 M $\Omega$  /km Min

**Wrap**

Material: cotton paper

**Filler**

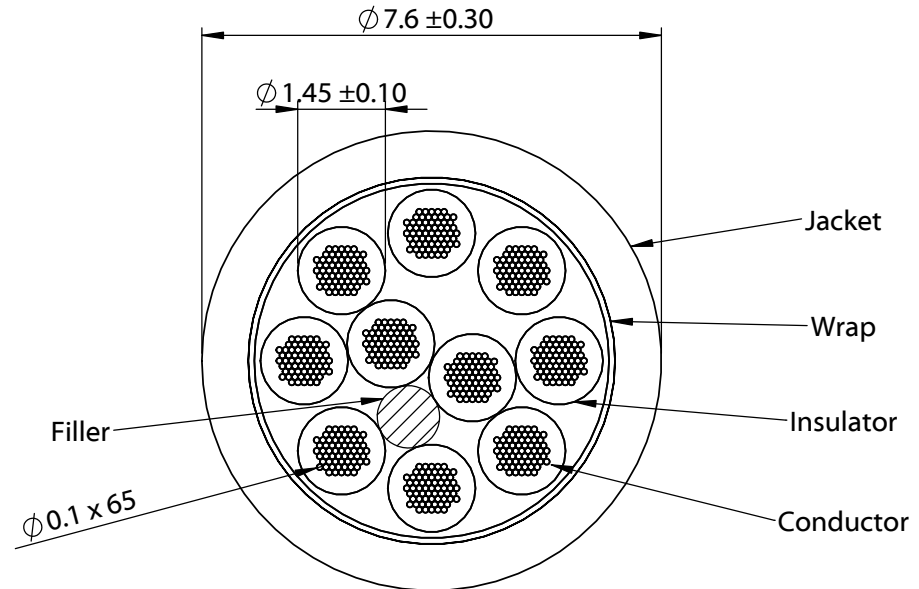
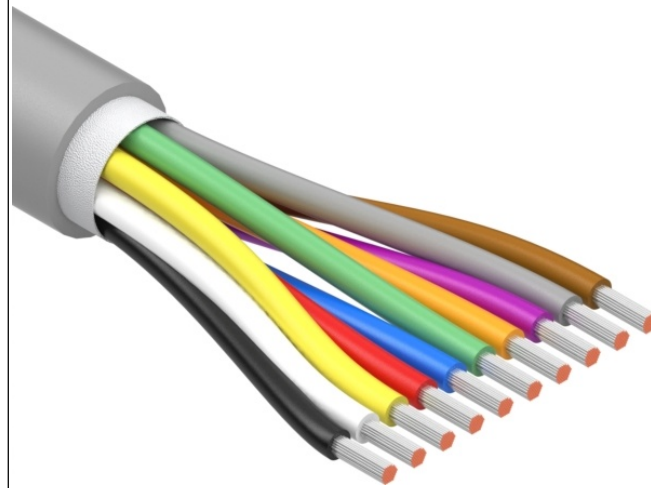
Material: aramid fiber

**Outer jacket**

Material: TPU  
 Color: gray  
 Diameter:  $\phi 7.6 \pm 0.30$  mm  
 Nominal thickness: 0.70 mm

**Tests**

Tensile strength: 26 kgf min  
 Dielectric test: 1500 V dc for 1 minute without breakdown  
 Bend test at 200 g,  $\pm 60^\circ$ , 30 cycles /min: 15,000 cycle minimum



Revision:	Date:	Description:	Prepared: <b>PB</b> <small>Digitally signed by PB Date: 2022.09.12 12:24:43 -07'00'</small>	Notes:	<b>TENSILITY</b> <small>tel 1.541.323.3228 800 877.670.7118 fax 1.541.323.4202 web tensility.com</small>
A	8/24/2022	Initial release	Verified: <b>MP</b> <small>Digitally signed by MP Date: 2022.09.20 09:51:46 -07'00'</small>	RoHS compliant Jacket meets ISO 10993 Biological Compatibility Phthalate and halogen free Function test: no open, no short, no intermittent	
			Dimensions are in millimeters. Tolerances: X: $\pm 0.5$ mm X.X: $\pm 0.3$ mm X.XX: $\pm 0.05$ mm	Description:	Size: Part number:
				Wire, 10C TS, 20 AWG, 150V, 70C, 7.6 mm, TPU, 75A, gray, WBL	A 30-02767
				Scale: 8:1	Sheet 1 of 1