

148375-1 ✓ ACTIVE

EUROCARD

TE Internal #: 148375-1

Rack & Panel Contacts, Socket, Length .634 in [16.1 mm], Gold,
Printed Circuit Board

[View on TE.com >](#)



Connectors > PCB Connectors > Backplane Connectors > Rack & Panel Backplane > Rack & Panel Contacts



Contact Type: **Socket**

Contact Length: **16.1 mm [.634 in]**

Contact Mating Area Plating Material: **Gold**

Connector & Contact Terminates To: **Printed Circuit Board**

Contact Current Rating (Max): **3 A**

Features

Product Type Features

DIN Level	II
Connector & Contact Terminates To	Printed Circuit Board

Body Features

Contact Removal Style	Front Release
-----------------------	---------------

Contact Features

Contact Mating Area Plating Material Thickness	.76 µm
Contact Orientation	Straight
Contact Underplating Material	Nickel
Contact Base Material	Copper Alloy
Contact Type	Socket
Contact Length	16.1 mm [.634 in]
Contact Mating Area Plating Material	Gold
Contact Current Rating (Max)	3 A

Termination Features

--	--



Termination Method to Printed Circuit Board	Through Hole - Solder
---	-----------------------

Usage Conditions

Operating Temperature Range	-55 – 105 °C[-67 – 221 °F]
-----------------------------	----------------------------

Operation/Application

Circuit Application	Power
---------------------	-------

Packaging Features

Packaging Method	Bag
------------------	-----

Other

Connector Contacts Comment	For Use With Type M Connector
----------------------------	-------------------------------

Product Compliance

[For compliance documentation, visit the product page on TE.com>](#)

EU RoHS Directive 2011/65/EU	Compliant with Exemptions
EU ELV Directive 2000/53/EC	Compliant with Exemptions
China RoHS 2 Directive MIIT Order No 32, 2016	Restricted Materials Above Threshold
EU REACH Regulation (EC) No. 1907/2006	Current ECHA Candidate List: JUNE 2023 (235) Candidate List Declared Against: JAN 2023 (233) SVHC > Threshold: Pb (.6% in Component Part) Article Safe Usage Statements: Do not eat, drink or smoke when using this product. Wash thoroughly after handling. Recycle if possible and dispose of the article by following all applicable governmental regulations relevant to your geographic location.
Halogen Content	Low Halogen - Br, Cl, F, I < 900 ppm per homogenous material. Also BFR/CFR/PVC Free
Solder Process Capability	Pin-in-Paste capable to 260°C

Product Compliance Disclaimer

This information is provided based on reasonable inquiry of our suppliers and represents our current actual knowledge based on the information they provided. This information is subject to change. The part numbers that TE has identified as EU RoHS compliant have a maximum concentration of 0.1% by weight in homogenous materials for lead, hexavalent chromium, mercury, PBB, PBDE, DBP, BBP, DEHP, DIBP, and 0.01% for cadmium, or qualify for an exemption to these limits as defined in the Annexes of Directive 2011/65/EU (RoHS2). Finished electrical and electronic equipment products will be CE marked as required by Directive 2011/65/EU. Components may not be CE marked. Additionally, the part numbers that TE has identified as EU ELV compliant have a maximum concentration of 0.1% by weight in homogenous materials for lead, hexavalent chromium, and mercury, and 0.01% for cadmium, or qualify for an exemption to these limits as defined in the Annexes of Directive 2000/53/EC (ELV). Regarding the REACH Regulation, the information TE provides on SVHC in articles for this part number is based on the latest European Chemicals Agency (ECHA) 'Guidance on requirements for substances in articles' posted at this URL: <https://echa.europa.eu/guidance-documents/guidance-on-reach>

Compatible Parts



TE Part # 5148414-5
ASSY, PIN, R.A., TYPE M, EUROCARD, L-FREE, 24+



TE Part # 5148417-5
ASSY, RECPT, TYPE M, EUROCARD, L-F



TE Part # 148412-5
EURO TYPE M PIN ASSY 60+4



TE Part # 148413-5
EURO TYPE M PIN ASSY 42+6



TE Part # 5-1393637-7
V42254P2263M420=PC612 FEDERLEI

Customers Also Bought



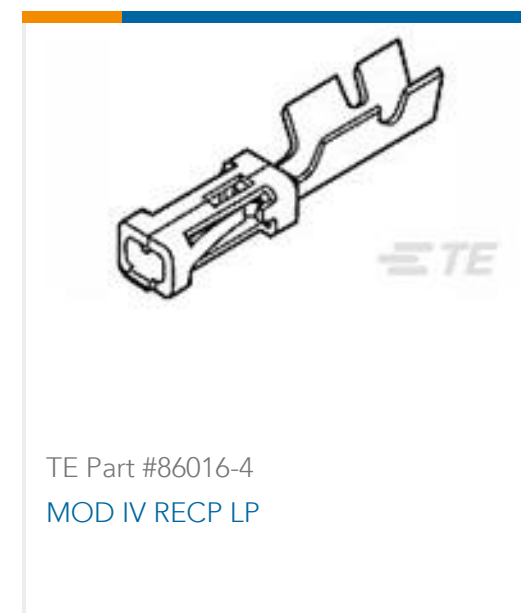
TE Part # 1410187-3
MULTIGIG RT T2 7RW DC DF CT



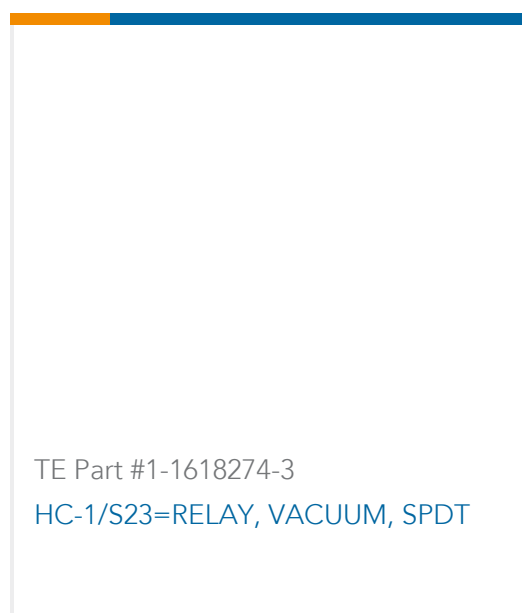
TE Part # 1410955-2
MULTIGIG RT GUIDE PIN PLATED



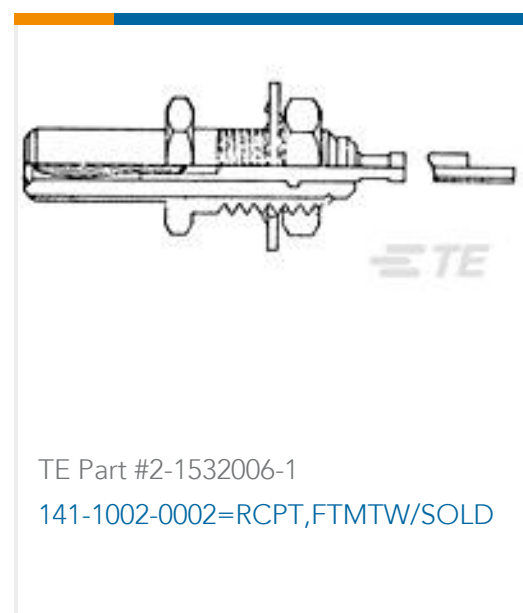
TE Part # 2-87879-0
25 MODIV VRT SR OE 100/115



TE Part # 86016-4
MOD IV RECP LP



TE Part # 1-1618274-3
HC-1/S23=RELAY, VACUUM, SPDT



TE Part # 2-1532006-1
141-1002-0002=RCPT, FTMTW/SOLD

Documents

Product Drawings

[EURO, TYPE M CONTACT, FEMALE](#)

English

CAD Files

[Customer View Model](#)

[ENG_CVM_148375-1_A.2d_dxf.zip](#)

English



Customer View Model

[ENG_CVM_148375-1_A.3d_igs.zip](#)

English

Customer View Model

[ENG_CVM_148375-1_A.3d_stp.zip](#)

English

3D PDF

English

By downloading the CAD file I accept and agree to the [Terms and Conditions](#) of use.

Product Specifications

[Application Specification](#)

English

Product Environmental Compliance

[TE Material Declaration](#)

English

Instruction Sheets

[Instruction Sheet \(U.S.\)](#)

English