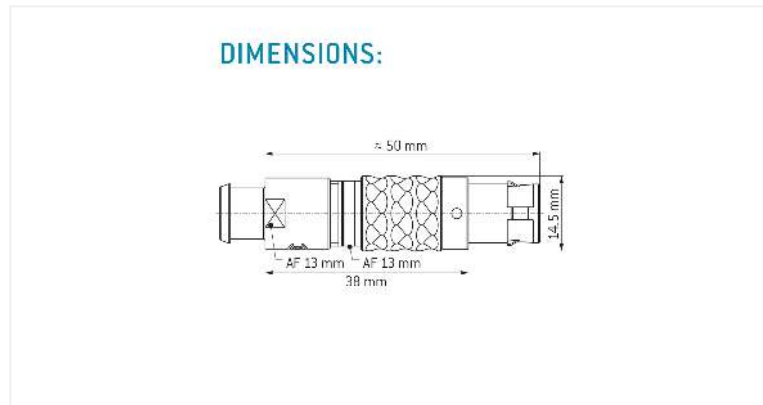


## General information

|                   |                     |
|-------------------|---------------------|
| Part number       | S22LFC-P06MPHO-620S |
| Termination       | solder              |
| Size              | 2                   |
| Locking principle | push                |
| Coding            | f_key               |
| Cable Diameter    | cable_mini_62       |
| Cable outlet      | bend_relief         |



## Contact insert description

|                      |        |
|----------------------|--------|
| Number of contacts   | 6      |
| Contact type         | pins   |
| Contact diameter     | 13mm   |
| Insulator material   | peek   |
| Wire cross section   | 20_awg |
| Termination          | solder |
| Termination diameter | 11mm   |

reverse\_gender\_on\_request

## Technical information

|                                          |          |               |
|------------------------------------------|----------|---------------|
| Max. creepage and air clearance distance | 13_mm    | 15_mm         |
| Nominal current single contact           | 12_a     | iec_60512_5_2 |
| Nominal current insert                   | 9_A      | vde_0298_4    |
| Test voltage                             | 15_kv_ac | sae_13441     |

safety\_text

## Mechanical and environmental data

|                       |          |
|-----------------------|----------|
| Degree of protection* | ip50     |
| Operating temperature | 40_120_c |
| Mating cycles         | 5000     |

mated\_unmated

## Material and surface treatments

|         |               |
|---------|---------------|
| Housing | m_chrome      |
| Contact | cu_alloy_gold |

safety\_text\_2  
ul\_text  
illustrative\_text