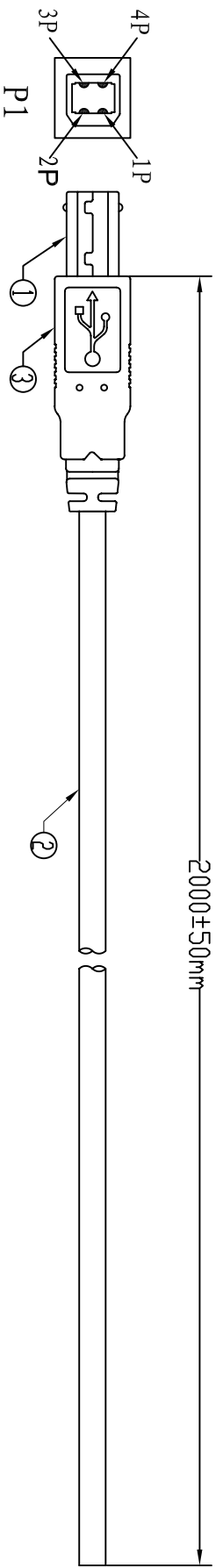


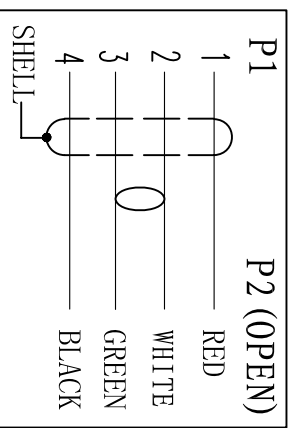
UNIT:mm



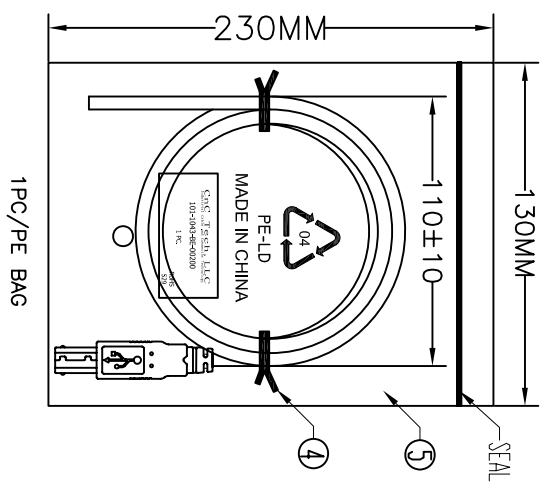
CABLE BLACK PRINT

HI-SPEED USB Revision 2.0 SHIELDED 28AWG/1P+28AWG/2C
 E189529 AWM STYLE 2725 80°C 30V VW-1 VEGA TECH

PIN ASSIGNMENT:



Electrical test:
 1. 100% short, open, miswire test
 2. Conduct resistance: 2 Ohm(max)
 3. Insulation resistance: 5Mohm(min)
 4. dielectric test: DC 300V



1PC/PE BAG

| | | | | | | |
|-----|------------|------|----------------------------|-------------|-------------------|-------------------------------------|
| ⑥ | PE BAG | 1/10 | CLEAR SIZE:280*330*0.05mm | PRINT BLACK | MADE IN CHINA | "10PCS"印生产周期,有透气孔. |
| ⑤ | PE BAG | 1 | CLEAR SIZE:130*230*0.05mm | PRINT BLACK | MADE IN CHINA | "1PC"印生产周期,有透气孔. |
| ④ | TIE | 2 | WHITE | L=100mm | | |
| ③ | OUT JACKET | 12g | BELGE (IV-29#) | PVC-40P | (MOULD NO.:WM-65) | |
| ② | CABLE | 1 | BELGE (IV-29#) | USB2.0 | UL2725 | 28#/1P+28#/2C+AB OD:4.7mm L=2000±10 |
| ① | CONN | 2set | USB2.0 B MALE SHELL:NICKEL | PIN G/F | 3PCS TYPE | INSULATOR COLOR:WHITE |
| NO. | NAME | Q'TY | SPECIFICATION | | | |

CNC Tech, LLC
 Industrial Cable and Connector Technology

| | | | |
|------------------|---------|------------|-------------------|
| DRAWN | ZHONGHS | DRAWING NO | |
| CHECKED | | CUSTOMER | |
| APPROVAL | | ITEM NO. | 101-1043-BE-00200 |
| DECIDED | | DATE | 2012-02-16 |
| VERSIONS/EDITION | A/0 | PROJECTION | |

4

3

2

1

4

3

2

1