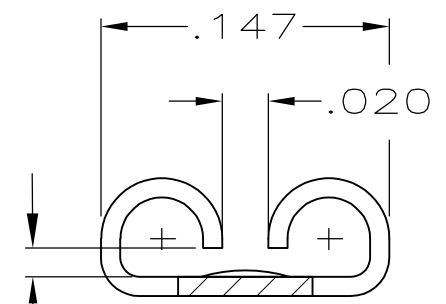
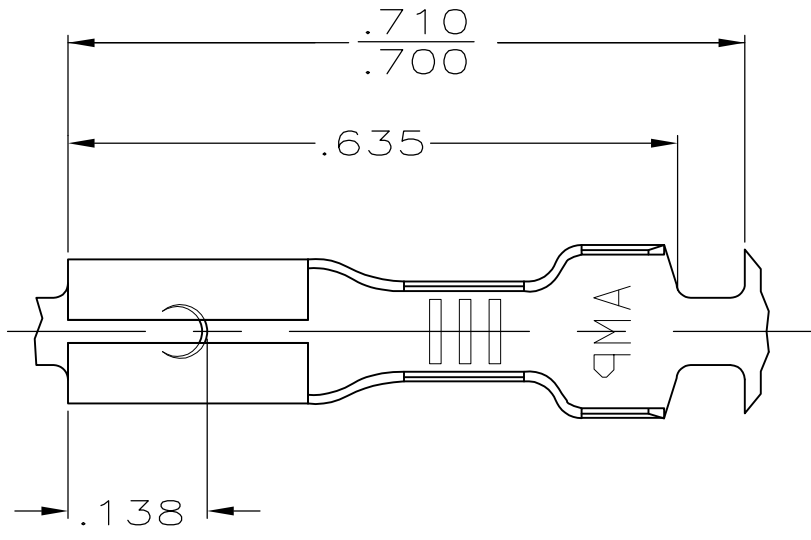


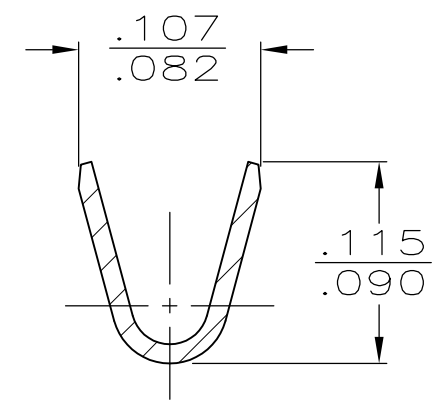
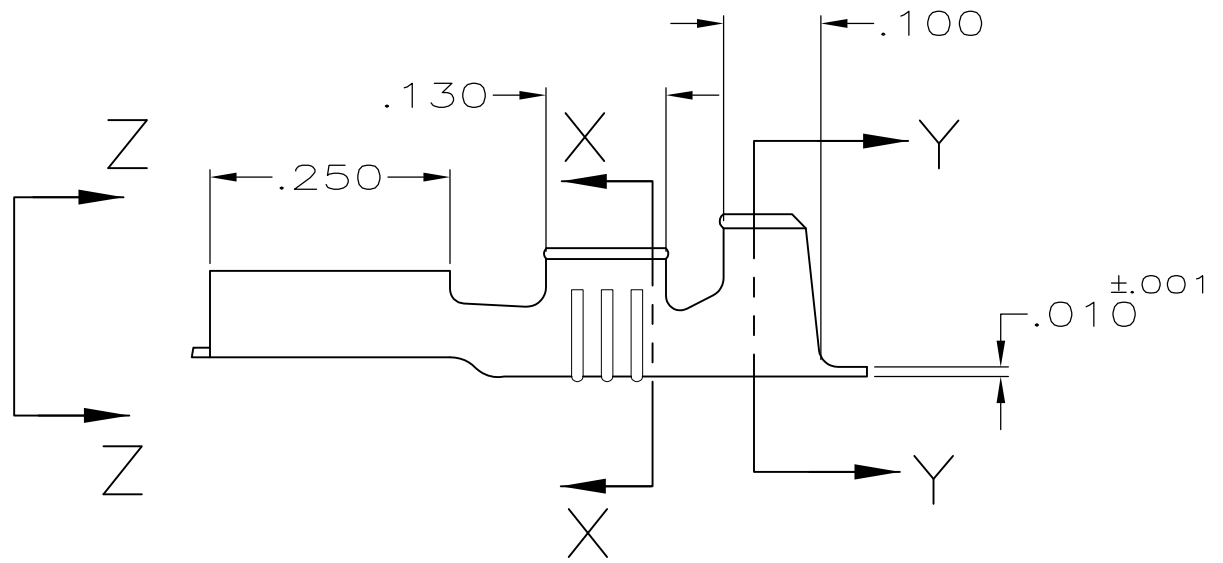
THIS DRAWING IS UNPUBLISHED. RELEASED FOR PUBLICATION
 © COPYRIGHT - By - ALL RIGHTS RESERVED.

LOC	DIST	REVISIONS					
AF	50	P	LTR	DESCRIPTION	DATE	DWN	APVD
		F		REVISED PER ECR-12-013459	27NOV2012	KH	PD

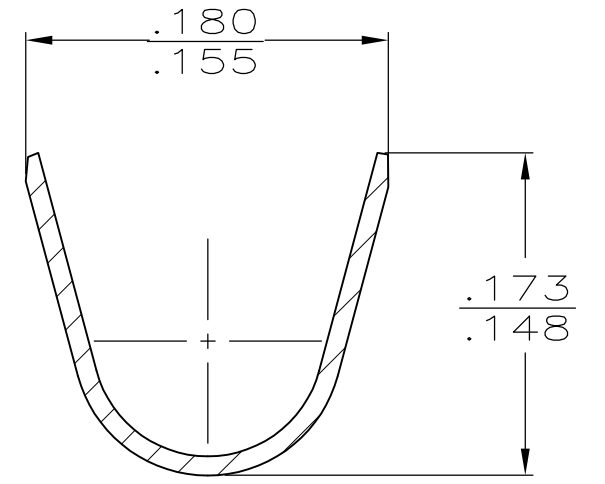
1 CONTINUOUS STRIP ON REELS



FITS .110 SERIES
 FASTON TABS
 VIEW Z-Z
 SCALE 10:1




SECTION X-X
 SCALE 10:1



SECTION Y-Y
 SCALE 10:1

.090-.130	22-18 AWG	.016	62523-1
INSUL RANGE	WIRE SIZE	MATING TAB THK ±.001	PART NO

THIS DRAWING IS A CONTROLLED DOCUMENT.		DWN	JR RUTH	12/20/90	 TE Connectivity RECEPTACLE, FASTON,™ .110 SERIES			
DIMENSIONS: INCHES		CHK	MS FEHER	12/20/90				
TOLERANCES UNLESS OTHERWISE SPECIFIED:		APVD	C MEYERS	12/21/90				
0 PLC ± - 1 PLC ± - 2 PLC ± - 3 PLC ± .015 4 PLC ± - ANGLES ± -		PRODUCT SPEC		NAME				
MATERIAL: BRASS		FINISH: PRE-TIN		WEIGHT: -	SIZE: A3	CAGE CODE: 00779	DRAWING NO: C-62523	RESTRICTED TO: -
CUSTOMER DRAWING					SCALE: 5:1	SHEET: 1 OF 1	REV: F	