

**Withwave's Precision Test Adapters** are designed based on precision microwave interconnection technologies. **This SMP(Male) to SMA(Female)** adapter is manufactured to precise microwave specifications and constructed with male gender on side 1 and female gender side 2.

The precision microwave connector interfaces ensure an excellent microwave performance up to 26.5 GHz.



### ■ Features

- Frequency range : DC to 26.5 GHz
- VSWR(Max) : 1.30 : 1 (Max) @ 26.5 GHz
- Stainless steel(passivated)

### ■ Specification

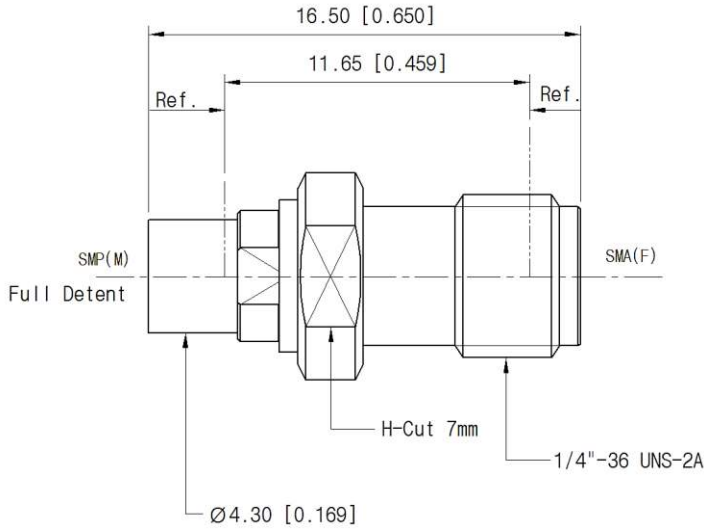
Scope	Specification	AD05M06FS2
Electrical	Impedance(Ohm)	50
	Operation Freq.(GHz)	DC to 26.5 GHz
	VSWR (Max)	1.20 : 1 @ 18 GHz 1.30 : 1 @ 26.5 GHz
Material	Dielectric	Special dielectric
	Center Contact	Beryllium copper with gold plated
	Body	Passivated stainless steel

\* RoHS Compliant

### Drawing

Part No.: AD05M06FS2

Unit : mm



### Test Result

Frequency : 10 MHz to 26.5 GHz

