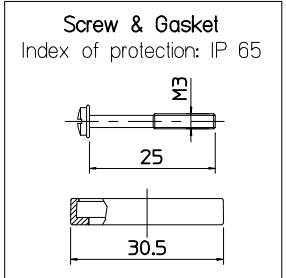
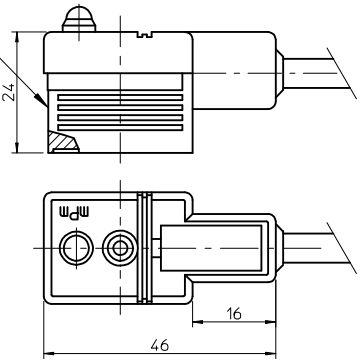


Table of length tolerances

Over	Up to and including	Tolerance (+)
0	305	+19
305	915	+45
915	1830	+56
1830	3660	+89
3660	7320	+165
7320	14640	+317
14640	30500	+610
30500	>	+2% of length



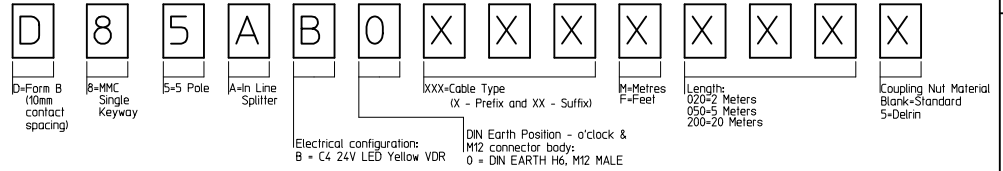
Electrical diagram printed in white



PN's List

Engineering number	SAP Part Number	Cable Length [mm]	Cable type
D85AB0P12M010	1210360925	1000	PUR Black 0.5mm ²

PART No MATRIX - PN KEY



Notes:
1. Dimensions without tolerance are referential.

ORIGINAL RELEASE EC NO: IPG2014-1345 DRWN: JMARSZALEK 2014/01/13 CHKD: MSZWAJKOWSKI 2014/01/13 APPR: MIWASIECZKO 2014/01/30	QUALITY SYMBOLS ▽=0 ◻=0	GENERAL TOLERANCES (UNLESS SPECIFIED) mm INCH 4 PLACES ± --- ± --- 3 PLACES ± --- ± --- 2 PLACES ± --- ± --- 1 PLACE ± --- ± --- 0 PLACE ± --- ± --- ANGULAR ± --- °	DIMENSION STYLE MM ONLY DRAWN BY: JMARSZALEK DATE: 2014/01/13 CHECKED BY: MSZWAJKOWSKI DATE: 2014/01/13 APPROVED BY: MIWASIECZKO DATE: 2014/01/30	SCALE: - DESIGN UNITS: METRIC THIRD ANGLE PROJECTION	TITLE: D85AB0XXXXXXXXX ILS - 2 X DIN-B H6 C4H M12 5P AC MA molex
	DRAFT WHERE APPLICABLE MUST REMAIN WITHIN DIMENSIONS	MATERIAL NO.: SEE CHART 1	DOCUMENT NO.: SD-121036-012	SHEET NO.: 1 OF 1	
	SIZE: A3	THIS DRAWING CONTAINS INFORMATION THAT IS PROPRIETARY TO MOLEX INCORPORATED AND SHOULD NOT BE USED WITHOUT WRITTEN PERMISSION			