



PART NAME

NON-METALLIC ENCLOSURE (STYLE B)

PART No.

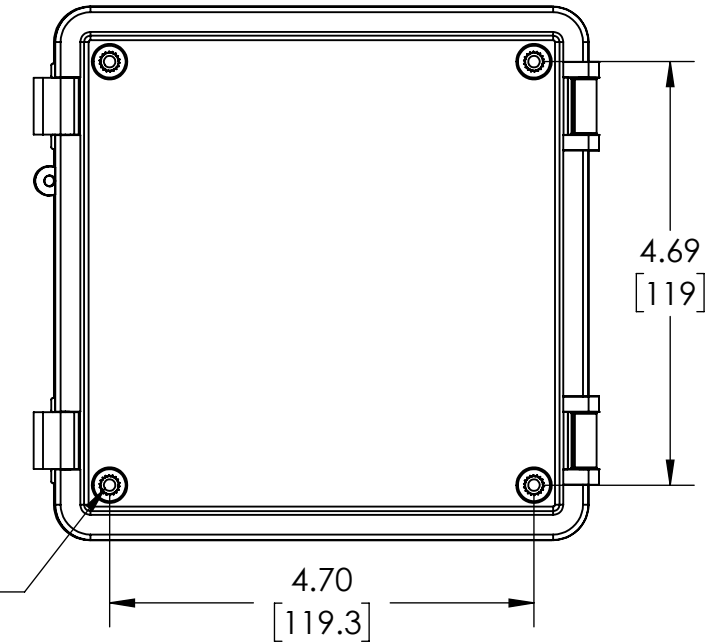
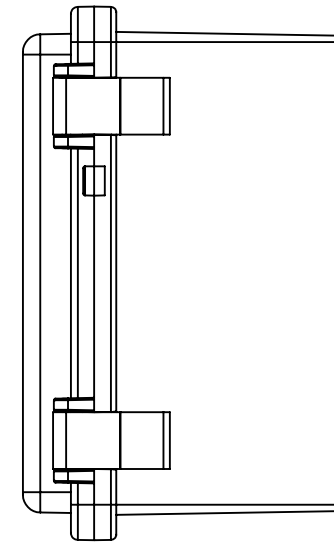
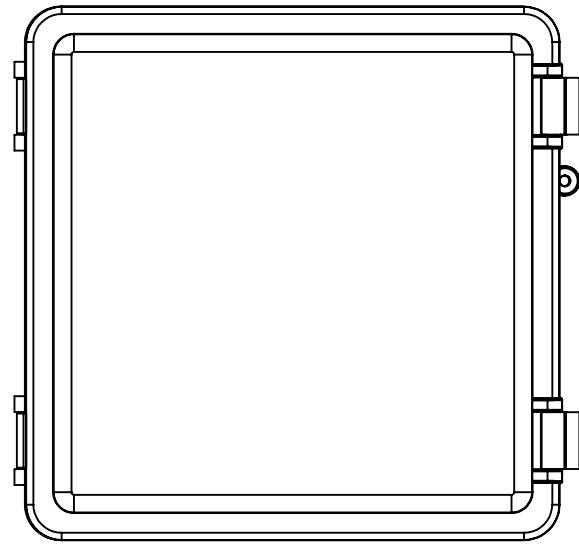
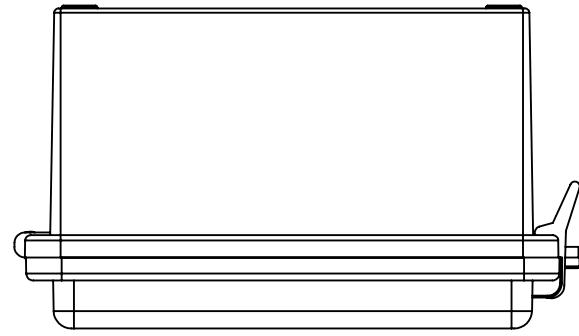
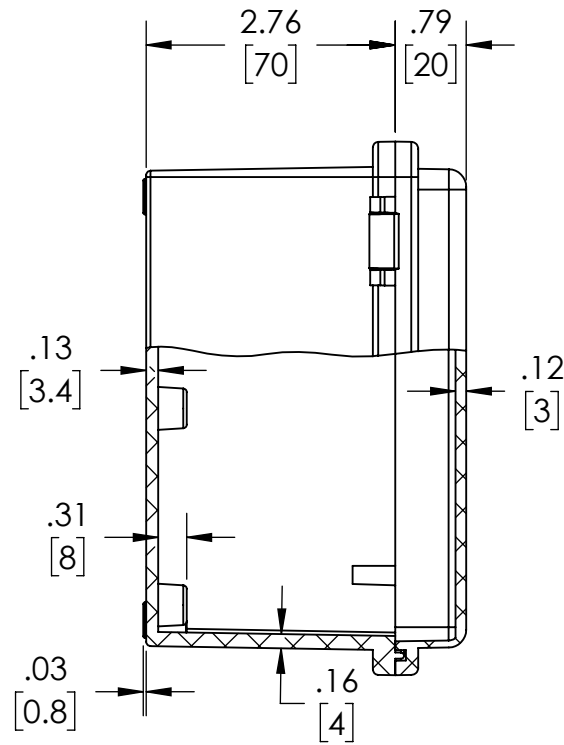
NBB-10240

REVISION DATE

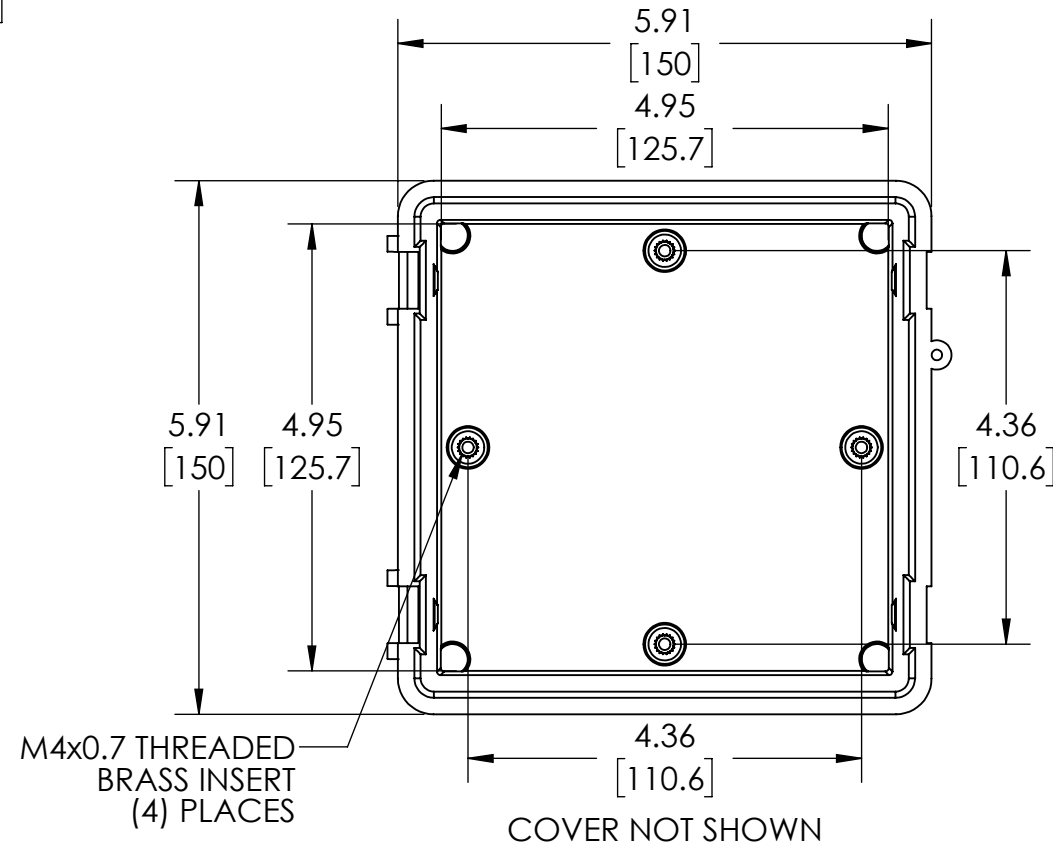
10-26-17

DRAWING FOR REFERENCE

WE RESERVE THE RIGHT TO MAKE CHANGES TO OUR STANDARD PRODUCTS. PLEASE CONSULT WITH BUD INDUSTRIES PRIOR TO USING THIS DRAWING FOR DESIGN PURPOSE.



M4x0.7 THREADED BRASS INSERT (4) PLACES



NOTES:

1- MATERIAL: BODY & COVER - LIGHT GRAY ABS/PC BLENDED PLASTIC
UL94-5VA FLAMMABILITY RATING

WALL MOUNTING BRACKETS - STAINLESS STEEL

2- GRAY POLYURETHANE GASKET IN COVER

3- SUPPLIED WITH FOUR WALL MOUNTING BRACKETS AND (4) M4x0.7 x 8mm LG. TRUSS HEAD STAINLESS STEEL MACHINE SCREWS (ITEMS NOT SHOWN)

4- DIMENSIONS ARE INCH [MM]

5- DIMENSION TOLERANCE $\pm .04[\pm 1]$