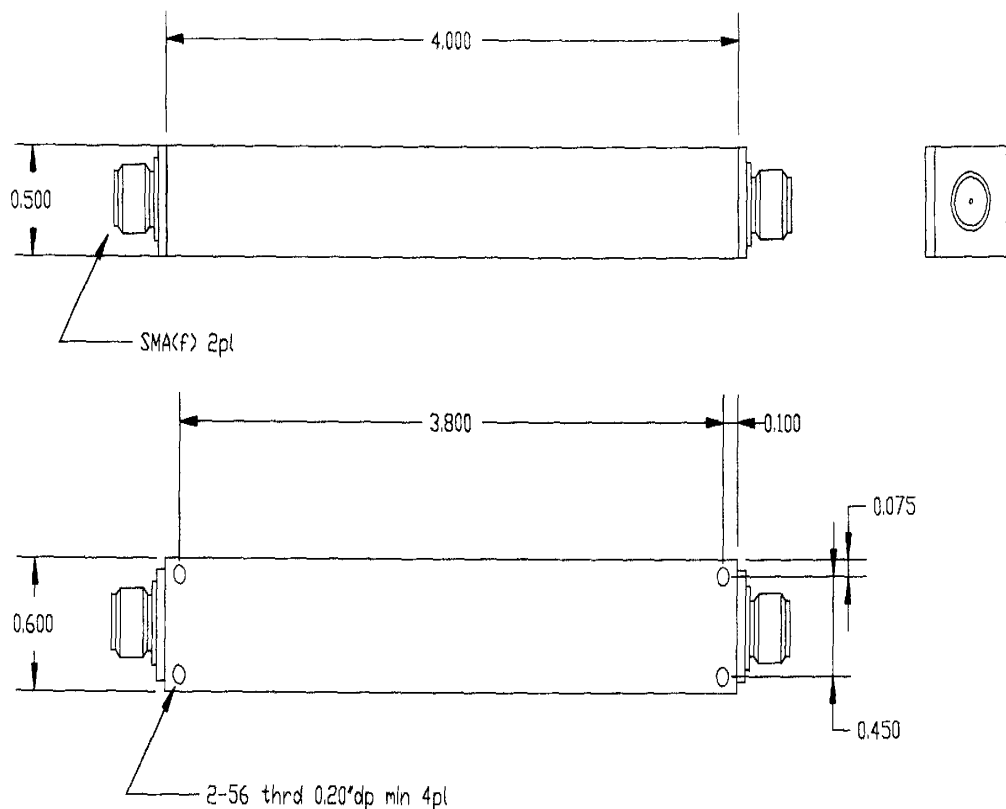




LC Bandpass Filter  
Part Number: AE121B9300

Center Frequency: 121MHz  
Insertion Loss: <3dB  
Passband: 117-125MHz  
Return Loss over Passband: >14dB  
Rejection: >70dB @ 242-605MHz

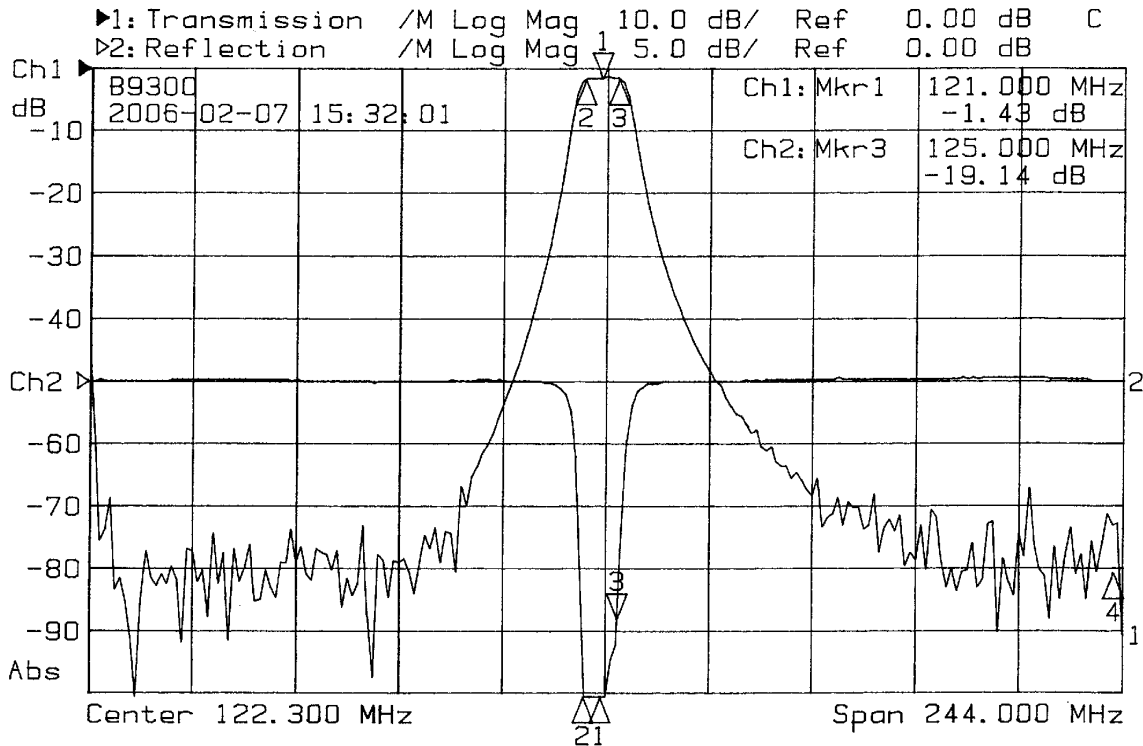
Outline Drawing:





## LC Bandpass Filter Part Number: AE121B9300

### Response Plot:



1: Mkr (MHz)	dB	2: Mkr (MHz)	dB
1> 121.00	-1.43	1: 121.00	-27.26
2: 117.00	-1.87	2: 117.00	-27.52
3: 125.00	-1.81	3> 125.00	-19.14
4: 242.00	-80.98		