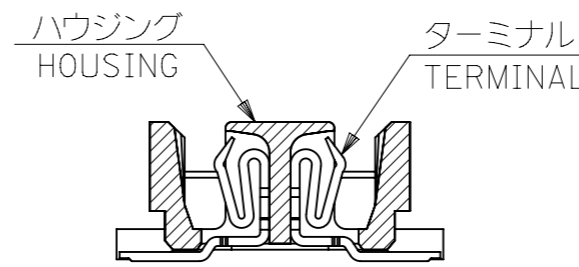
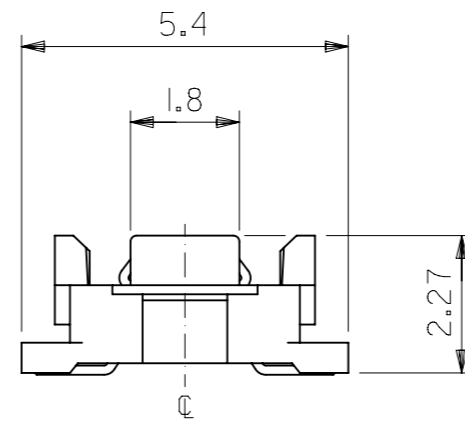


参考基板レイアウト (マウント面)  
P.C. BOARD PATTERN  
DIMENSION. (REF.)  
(MOUNTING AREA)



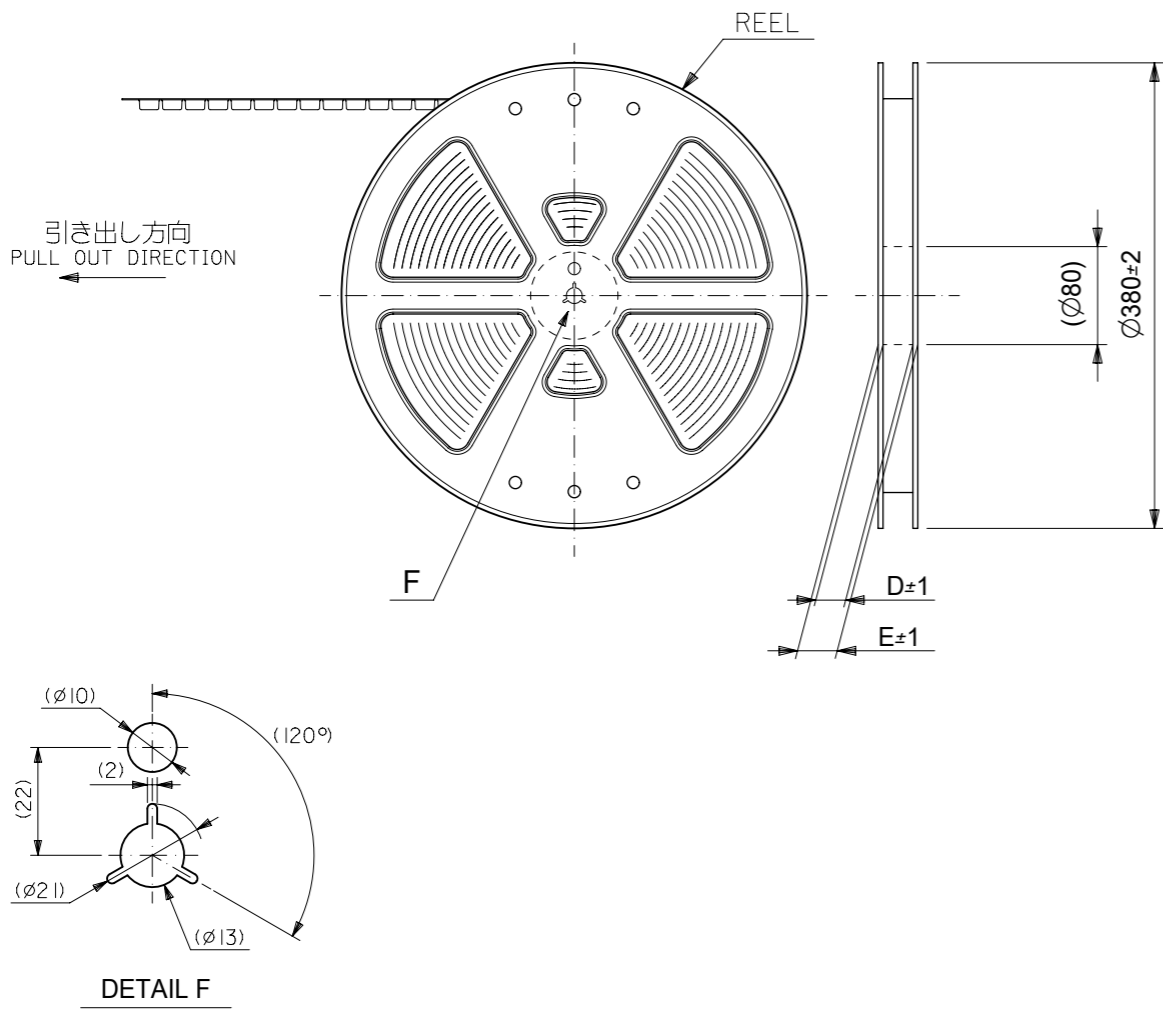
SECT. Z-Z

注記 NOTES:

- 使用材料 MATERIAL  
ハウジング: LCPガラス入り (黒), UL94V-0  
HOUSING: LCP(G.F.)(COLOR: BLACK), UL94V-0  
ターミナル: リン青銅 (t=0.15)  
TERMINAL: PHOSPHOR BRONZE (t=0.15)
- メッキ仕様 PLATING  
全体仕上げ: 金メッキ 0.1 MICROMETER MIN.  
ALL OVER: GOLD 0.1 MICROMETER MIN.  
下地メッキ: ニッケルメッキ 1.5 MICROMETER MIN.  
UNDER PLATING: NICKEL 1.5 MICROMETER MIN.
- 基準面 Xからのソルダーテールの半田付け面のズレ量は、上方向 0 下方向 0.15MAX. とする。  
MISALIGNMENT OF SOLDER TAIL FROM X  
: UPPER DIRECTION 0, LOWER DIRECTION 0.15 MAX.  
△ (全極数/2) = 偶数の場合に適用。  
APPLY FOR (CIRCUIT/2)=EVEN.
- 嵌合相手: 53748 シリーズ, 53916 シリーズ, 501920 シリーズ  
MATE WITH: 53748 SERIES, 53916 SERIES, 501920 SERIES.
- テール平坦度は、0.1MAX.  
TAIL COPLANARITY TO BE 0.1MAX.

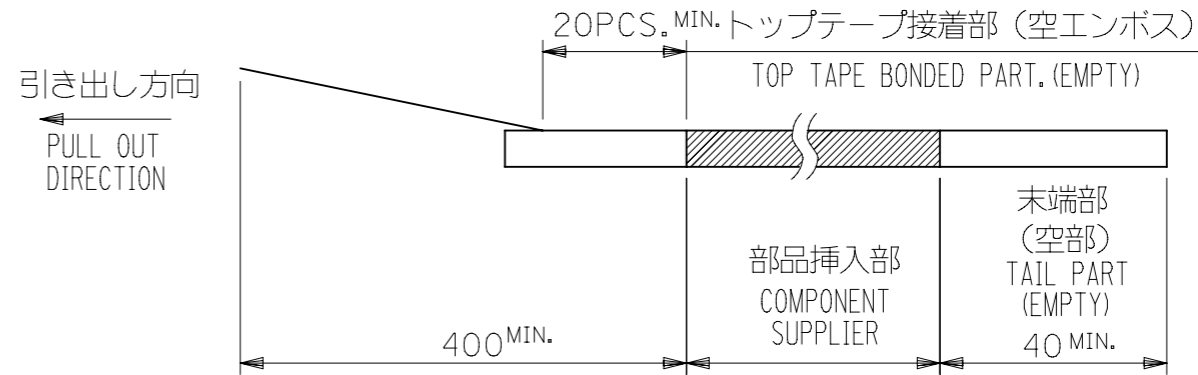
20.2	19.5	23.8	54167-0801	80
17.7	17.0	21.3	-0701	70
15.2	14.5	18.8	-0601	60
12.7	12.0	16.3	-0501	50
10.2	9.5	13.8	-0401	40
7.7	7.0	11.3	-0301	30
5.2	4.5	8.8	54167-0201	20
C	B	A	MATERIAL NO.	極数 CIRCUIT

54167***1		MODEL NO.	
GENERAL TOLERANCES (UNLESS SPECIFIED)		THIS DRAWING CONTAINS INFORMATION THAT IS PROPRIETARY TO MOLEX ELECTRONIC TECHNOLOGIES, LLC AND SHOULD NOT BE USED WITHOUT WRITTEN PERMISSION	
10 UNDER ± 0.2		CURRENT REV DESC: REVISED	
10 OVER 30 UNDER ± 0.25		molex	
30 OVER ± 0.3		0.5 B/B CONN REC HSG ASSY(W/O BOSS, W/O NAIL) -LEAD FREE-	
ANGULAR ± 3°		PRODUCT CUSTOMER DRAWING	
DRAFT WHERE APPLICABLE MUST REMAIN WITHIN DIMENSIONS		DOCUMENT NUMBER	
		SD-54167-001	
		DOC TYPE	
		PSD	
		DOC PART	
		001	
		REVISION	
		E	
		MATERIAL NUMBER	
		54167	
		CUSTOMER	
		GENERAL MARKET	
		SHEET NUMBER	
		1 OF 1	

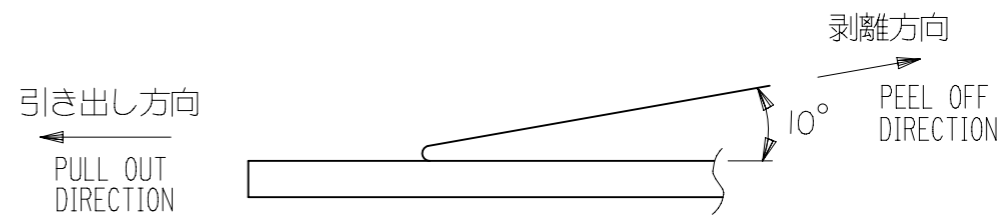


NOTES

- 製品詳細寸法については図面 SD-54167-001 を参照下さい。  
RE DETAILED DIMENSION, SEE SD-54167-001
- 梱包数量：3000個/リール  
NUMBER OF CONNECTORS : 3000PCS/REEL
- リードテープ長さ LEAD TAPE LENGTH



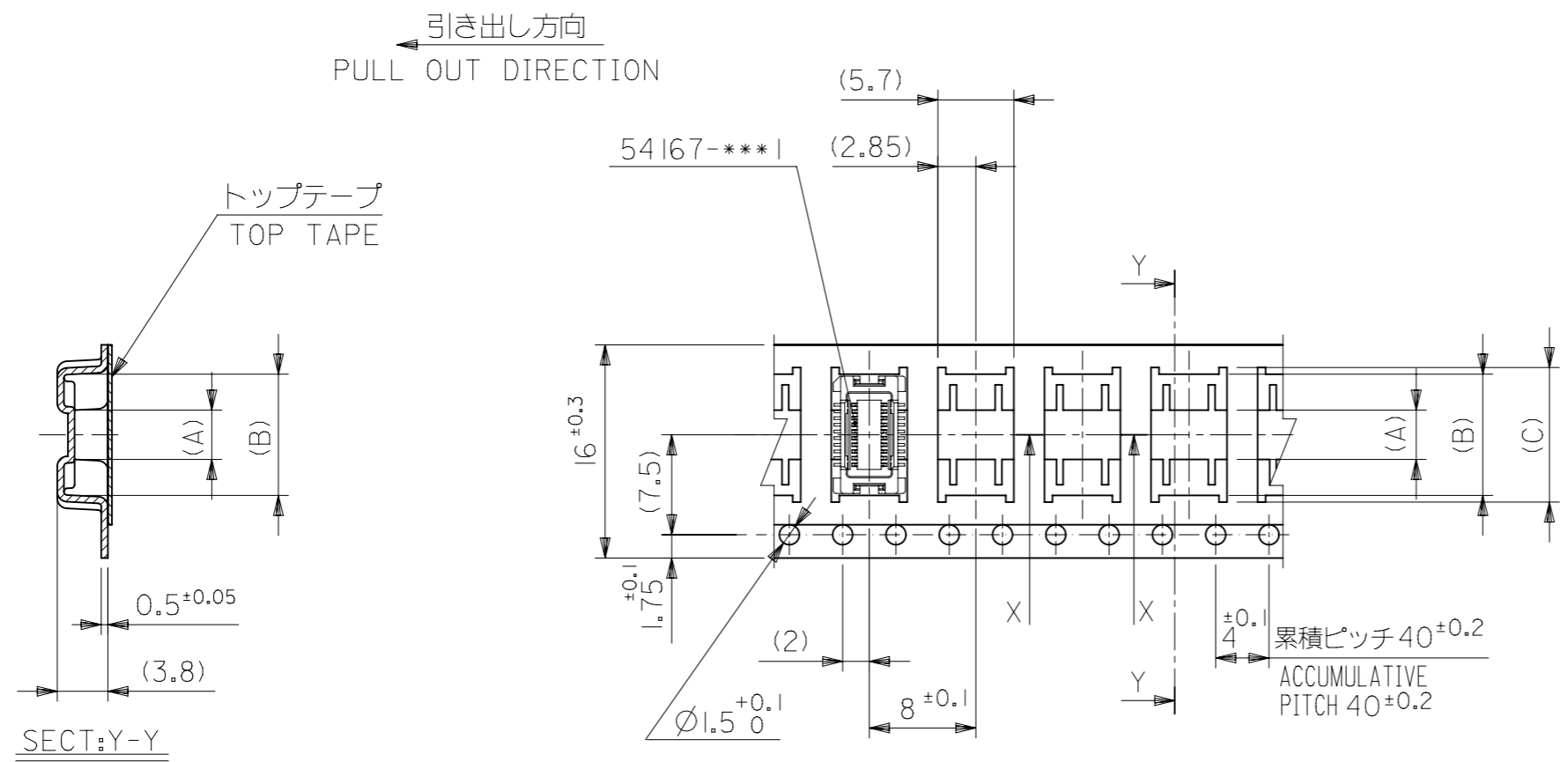
- トップテープの剥離強度：0.1N~1.3 {10gf~130gf} (剥離方向は下図参照)  
尚、本規格値は出荷時に適用。(但し、輸送時に剥離が発生しないこと。)  
PEELING OFF FORCE OF TOP TAPE : 0.1N~1.3 {10gf~130gf}  
(PEELING DIRECTION AS SHOWN IN FOLLOWING FIG.)  
THIS REQUIREMENT SHOULD BE APPLIED AT SHIPMENT.  
PEEL OFF SHOULD NOT BE ALLOWED , DURING TRANSPORTATION.



- 材料 (MATERIAL)  
キャリアテープ (CARRIER TAPE) : ポリプロピレン (POLYPROPYLENE)  
トップテープ (TOPTAPE) : PET , PE , PEF  
リール (REEL) : ポリスチレン (PS) <リサイクル材を含む>  
POLYSTYREN (PS) <RECYCLE MATERIAL CONTAINED>

54167\*\*\*8 MODEL NO.

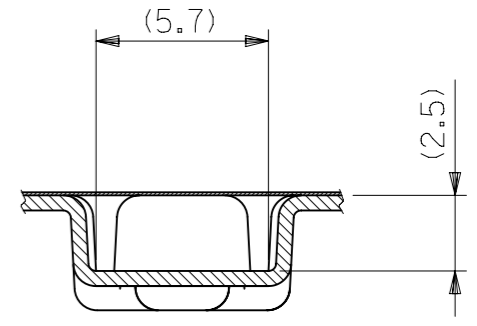
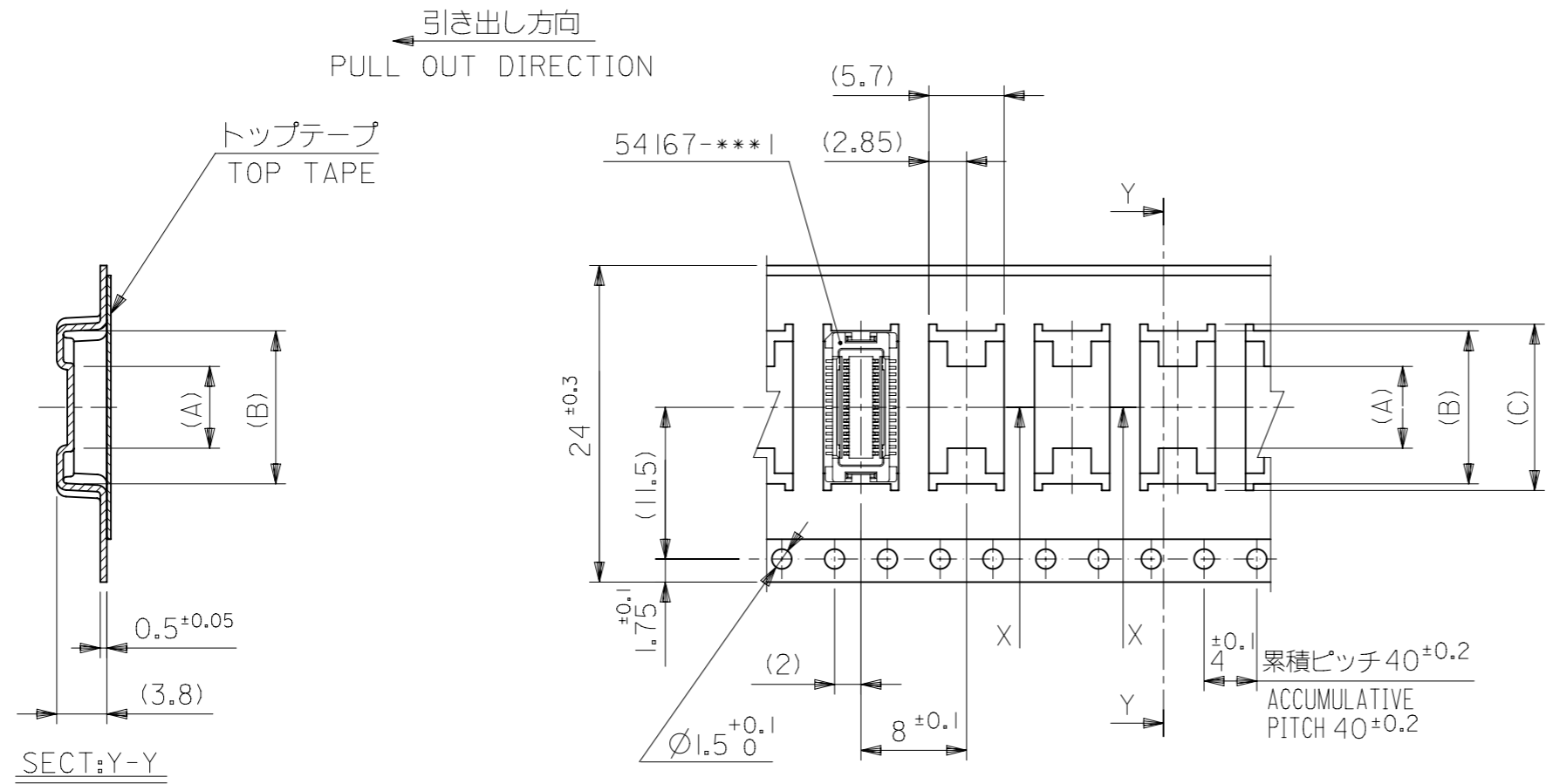
THIS DRAWING CONTAINS INFORMATION THAT IS PROPRIETARY TO MOLEX ELECTRONIC TECHNOLOGIES, LLC AND SHOULD NOT BE USED WITHOUT WRITTEN PERMISSION		CURRENT REV DESC:		<b>molex</b>	
DIMENSION UNITS: mm		SCALE: NTS			
GENERAL TOLERANCES (UNLESS SPECIFIED)		EC NO: 624787		0.5 B/B CONN REC HSG	
4 PLACES ±		DRWN: RPRABHUM 2019/05/24		ASSY EMBSTP PKG -LEAD FREE-	
3 PLACES ±		CHK'D: GGA 2019/11/11		PRODUCT CUSTOMER DRAWING	
2 PLACES ±		APPR: GGA 2019/11/11		DOCUMENT NUMBER	
1 PLACE ±		INITIAL REVISION:		SD-54167-002	
0 PLACES ±		DRWN: S.AIHARA 1996/11/25		DOC TYPE	
ANGULAR TOL ± 3.0°		APPR: M.FUKUSHIMA 2000/12/06		PSD	
DRAFT WHERE APPLICABLE MUST REMAIN WITHIN DIMENSIONS		THIRD ANGLE PROJECTION		DOC PART	
10 <sup>UNDER</sup> ±0.2		DRAWING		001	
10 <sup>OVER</sup> 30 <sup>UNDER</sup> ±0.25		A3-SIZE		F1	
30 <sup>OVER</sup> ±0.3		SERIES		REVISION	
		54167		1 OF 4	
		MATERIAL NUMBER		CUSTOMER	
		SEE CHART		GENERAL MARKET	



16mm幅キャリアテープ  
16mm WIDTH CARRIER TAPE

54167***8						MODEL NO.	
16	21.4	17.4	10.1	9.1	3.7	54167-0208	20
キャリアテープ幅 CARRIER TAPE WIDTH	E	D	(C)	(B)	(A)	MATERIAL NO.	極数 CIRCUIT

THIS DRAWING CONTAINS INFORMATION THAT IS PROPRIETARY TO MOLEX ELECTRONIC TECHNOLOGIES, LLC AND SHOULD NOT BE USED WITHOUT WRITTEN PERMISSION		CURRENT REV DESC:		<b>molex</b>			
GENERAL TOLERANCES (UNLESS SPECIFIED)		EC NO: 624787					
10 UNDER ±		DRWN: RPRABHUM 2019/05/24		PRODUCT CUSTOMER DRAWING			
10 OVER 30 UNDER ±		CHK'D: GGA 2019/11/11		DOCUMENT NUMBER			
30 OVER ±		APPR: GGA 2019/11/11		SD-54167-002		DOC TYPE	DOC PART
		INITIAL REVISION:		1996/11/25		PSD	001
		DRWN: S.AIHARA		2000/12/06		F1	
		APPR: M.FUKUSHIMA					
		ANGULAR TOL ± 3.0°					
		DRAFT WHERE APPLICABLE MUST REMAIN WITHIN DIMENSIONS		THIRD ANGLE PROJECTION		SHEET NUMBER	
				DRAWING		MATERIAL NUMBER	
				A3-SIZE		CUSTOMER	
				SERIES		GENERAL MARKET	
				54167		SEE CHART	



24mm幅キャリアテープ  
24mm WIDTH CARRIER TAPE

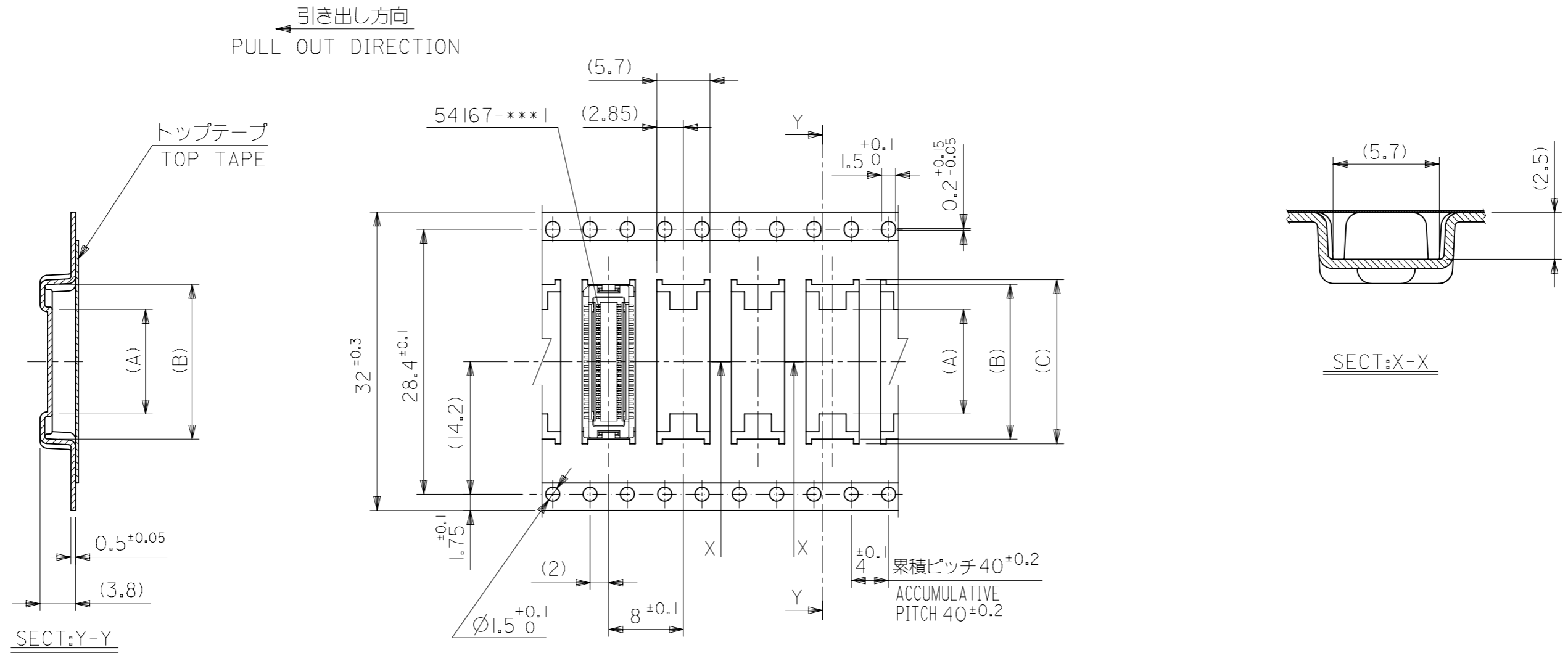
						54167***8	MODEL NO.
24	29.4	25.4	15.1	14.1	7.4	54167-0408	40
			12.6	11.6	4.9	54167-0308	30
キャリアテープ幅 CARRIER TAPE WIDTH	E	D	(C)	(B)	(A)	MATERIAL NO.	極数 CIRCUIT

THIS DRAWING CONTAINS INFORMATION THAT IS PROPRIETARY TO MOLEX ELECTRONIC TECHNOLOGIES, LLC AND SHOULD NOT BE USED WITHOUT WRITTEN PERMISSION

DIMENSION UNITS	SCALE	CURRENT REV DESC:	<b>molex</b>	
mm	NTS	EC NO: 624787	0.5 B/B CONN REC HSG ASSY EMBSTP PKG -LEAD FREE-	
GENERAL TOLERANCES (UNLESS SPECIFIED)		DRWN: RPRABHUM 2019/05/24	PRODUCT CUSTOMER DRAWING	
4 PLACES	±	CHK'D: GGA 2019/11/11	DOCUMENT NUMBER	
3 PLACES	±	APPR: GGA 2019/11/11	SD-54167-002	
2 PLACES	±	INITIAL REVISION:	DOC TYPE	DOC PART
1 PLACE	±	DRWN: S.AIHARA 1996/11/25	PSD	001
0 PLACES	±	APPR: M.FUKUSHIMA 2000/12/06	REVISION	F1
ANGULAR TOL ± 3.0°		DRAFT WHERE APPLICABLE MUST REMAIN WITHIN DIMENSIONS	MATERIAL NUMBER	CUSTOMER
THIRD ANGLE PROJECTION		DRAWING	SEE CHART	GENERAL MARKET
A3-SIZE		SERIES	54167	SHEET NUMBER
				3 OF 4

GENERAL TOLERANCES (UNLESS SPECIFIED)

10 <sup>UNDER</sup>	±	----
10 <sup>OVER</sup>	30 <sup>UNDER</sup>	±
30 <sup>OVER</sup>		±



32mm幅キャリアテープ  
32mm WIDTH CARRIER TAPE

32						37.4		33.4		17.6		16.6		11.2		54167-0508		50	
キャリアテープ幅 CARRIER TAPE WIDTH						E		D		(C)		(B)		(A)		MATERIAL NO.		極数 CIRCUIT	

THIS DRAWING CONTAINS INFORMATION THAT IS PROPRIETARY TO MOLEX ELECTRONIC TECHNOLOGIES, LLC AND SHOULD NOT BE USED WITHOUT WRITTEN PERMISSION										CURRENT REV DESC:														
DIMENSION UNITS					SCALE					molex														
mm					NTS					0.5 B/B CONN REC HSG ASSY EMBSTP PKG -LEAD FREE-														
GENERAL TOLERANCES (UNLESS SPECIFIED)										PRODUCT CUSTOMER DRAWING														
4 PLACES ±					3 PLACES ±					2 PLACES ±					1 PLACE ±					0 PLACES ±				
GENERAL TOLERANCES (UNLESS SPECIFIED)										INITIAL REVISION:														
10 <sup>UNDER</sup>					±					EC NO: 624787					DRWN: RPRABHUM 2019/05/24									
10 <sup>OVER</sup>					30 <sup>UNDER</sup>					±					CHK'D: GGA 2019/11/11									
30 <sup>OVER</sup>					±					APPR: GGA 2019/11/11					DRWN: S.AIHARA 1996/11/25									
										ANGULAR TOL ± 3.0°					APPR: M.FUKUSHIMA 2000/12/06									
DRAFT WHERE APPLICABLE MUST REMAIN WITHIN DIMENSIONS										THIRD ANGLE PROJECTION														
DRAWING					SERIES					MATERIAL NUMBER					CUSTOMER									
A3-SIZE					54167					SEE CHART					GENERAL MARKET									
DOCUMENT NUMBER										DOC TYPE														
SD-54167-002										PSD 001 F1														
SHEET NUMBER										4 OF 4														