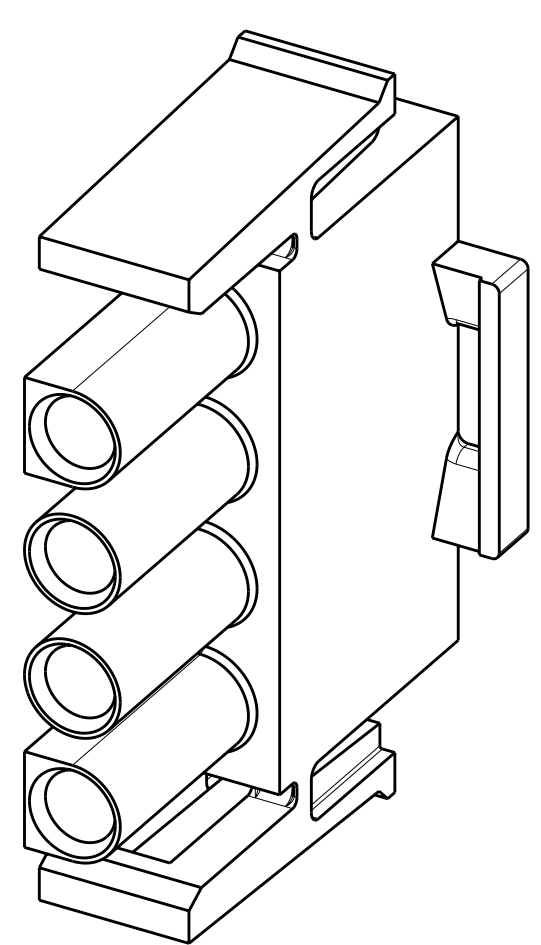
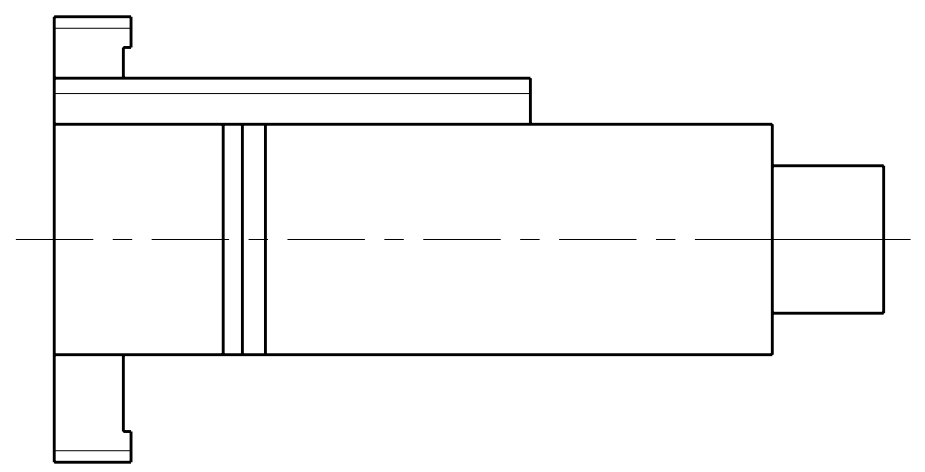
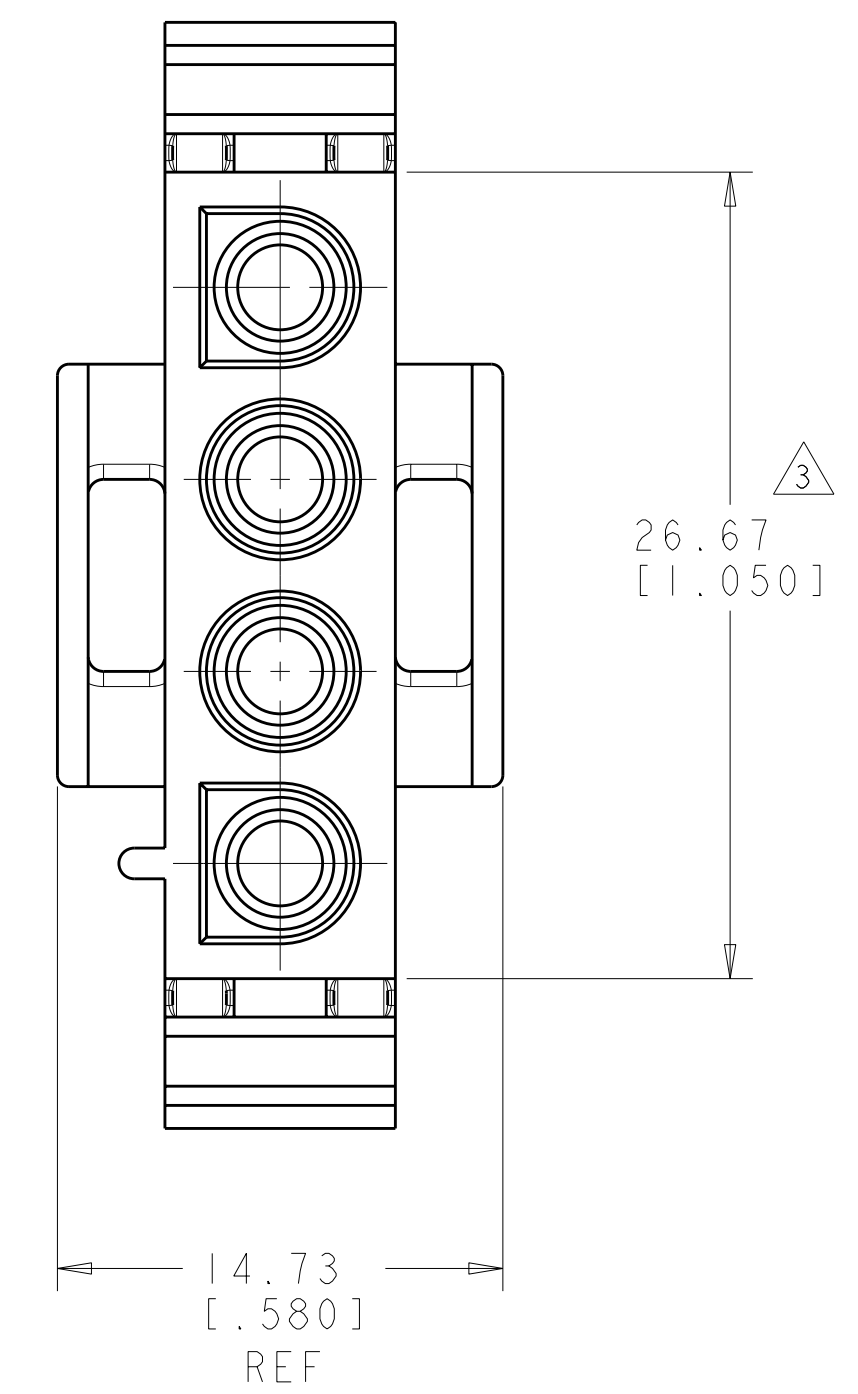
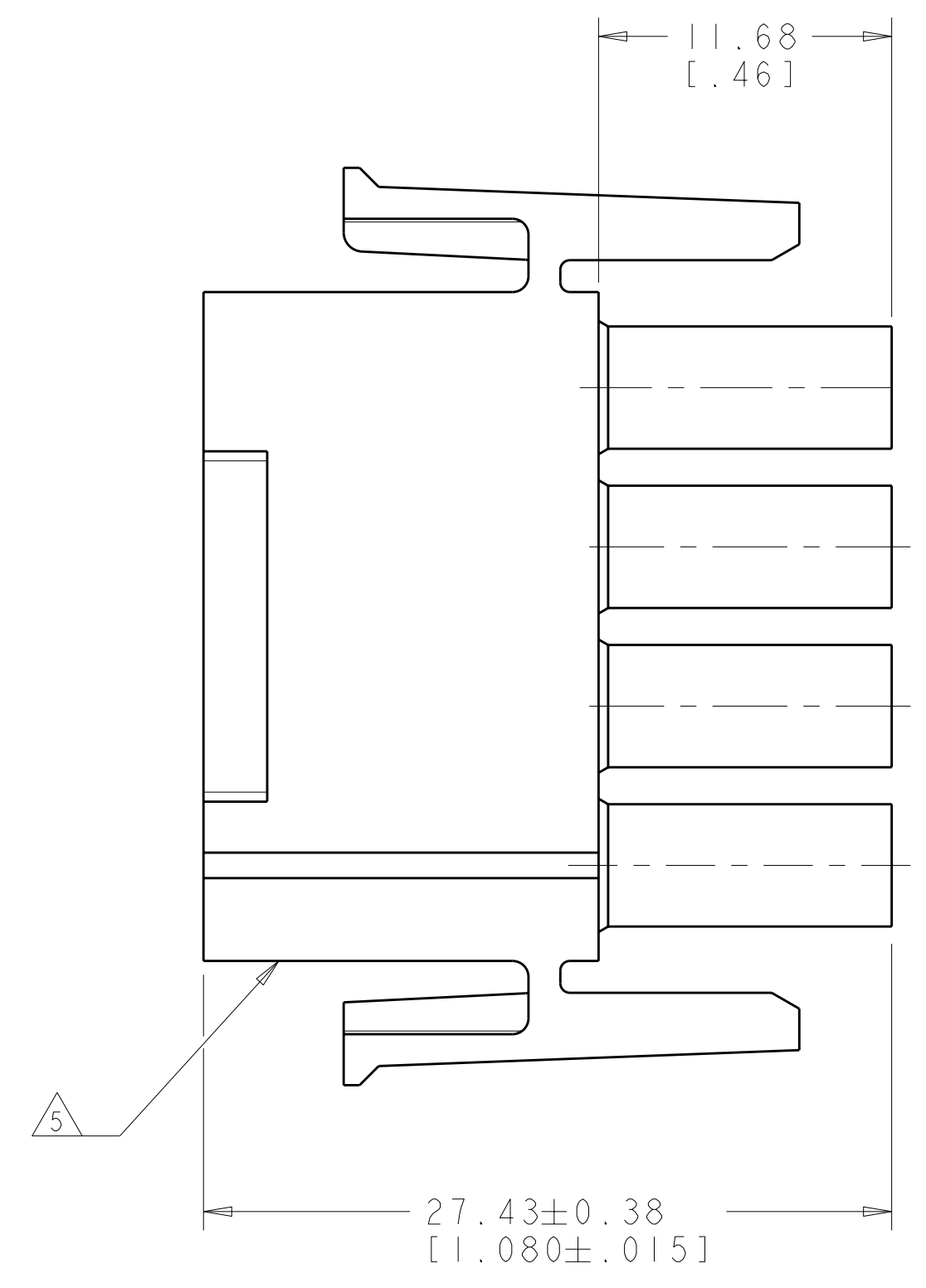
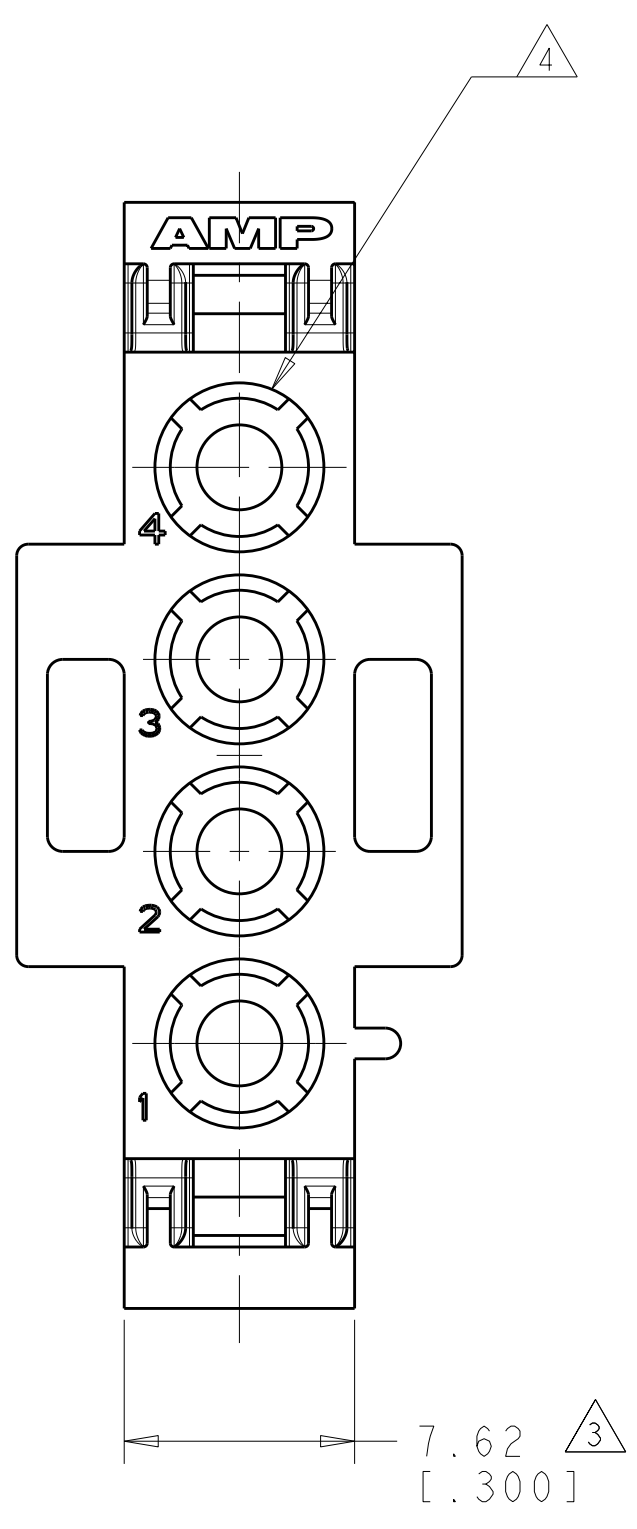


LOC	DIST	REVISIONS			
CM	0	REV	DATE	BY	APPD
		B	13NOV2009	HMR	MS



3-DIMENSIONAL MODEL  
SCALE 3:1

27.43	1.080
26.67	1.050
14.73	.580
11.68	.460
7.62	.300
0.38	.015
0.13	.005
MM	IN

CONVERSION TABLE

- MATES WITH 1954564-1,
  - SMALL NICKS ARE PERMITTED ON THE CIRCUIT TOWERS WHICH COULD INCREASE THE INITIAL HOUSING MATING FORCE BY UP TO 4.4 NEWTONS [1.0 LBS]. NO INDIVIDUAL NICKED TOWER SHALL INCREASE THIS FORCE BY OVER 2.2 NEWTONS [0.5 LBS].
- 3 DIMENSION INDICATED IS AS MOLDED. ADDITIONAL GROWTH DUE TO SUBSEQUENT MOISTURE ABSORPTION MAY OCCUR.
- 4 FOUR RIBS EQUALLY SPACED, NO SPECIFIC ORIENTATION. NO RIBS OR SIX RIBS EQUALLY SPACED, NO SPECIFIC ORIENTATION, OPTIONAL.
- 5 UNDERWRITERS RECOGNIZED COMPONENT LOGO AND CSA CERTIFICATION LOGO TO BE LOCATED ONCE EACH ON SIDE OF HOUSING.

<small>THIS DRAWING IS UNPUBLISHED. RELEASED FOR PUBLICATION BY TYCO ELECTRONICS CORPORATION. ALL RIGHTS RESERVED.</small>		DWN RAGHU 19OCT2006 CHK J. LANDIS 29JAN2007 APVD DON DECKER 11FEB2008	Tyco Electronics Harrisburg, PA 17105-3608
DIMENSIONS: MM [INCH]	TOLERANCES UNLESS OTHERWISE SPECIFIED: 9 PLC ± 8 PLC ± 5 PLC ±0.13(.005) 4 PLC ± ANGLES ±°	NAME PLUG, 4 CIRCUIT, RECTANGULAR LIGHT-N-LOK	SIZE CAGE CODE DRAWING NO A100779C=1954563
MATERIAL NYLON, UL 94V-0	FINISH	WEIGHT	RESTRICTED TO CUSTOMER DRAWING

SCALE 4:1 SHEET 1 OF 1 REV B