

MATERIAL NUMBER	ENGINEERING NUMBER	FINISHED LENGTH
1300250048	DN11A-M003	0.3M [1FT]
1300250652	DN11A-M050H	5M [16 FT 5IN]
1300250133	DN11A-T100	100M [328FT 1IN]
1300250596	DN11A-T200	200M [656FT 2IN]

PART NO. MATRIX

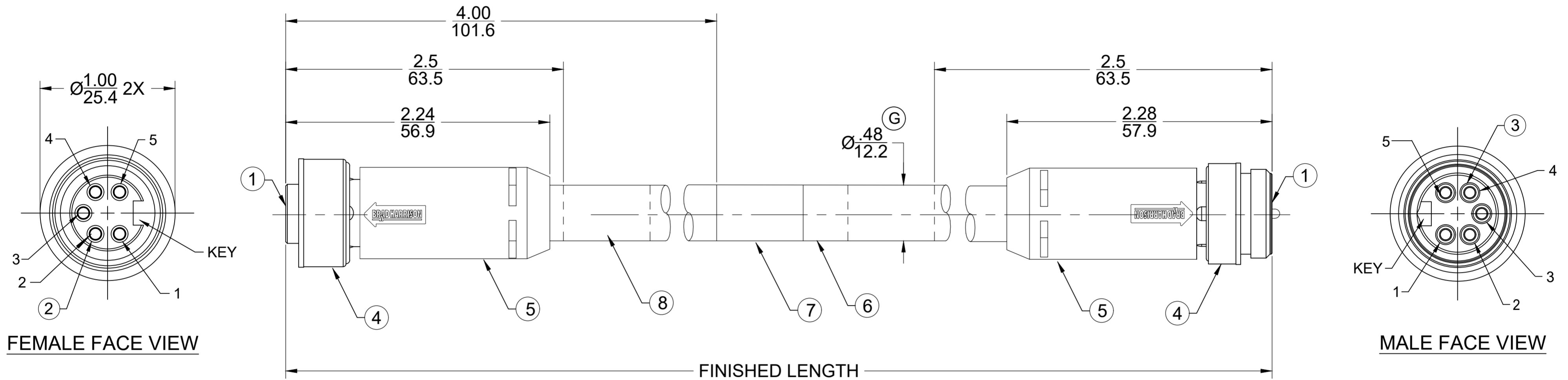
DN11A-M003H

FINISHED LENGTH:
M005= 0.5 METER
M010= 1 METER
M100= 10 METER
T100= 100 METER
T200= 200 METER

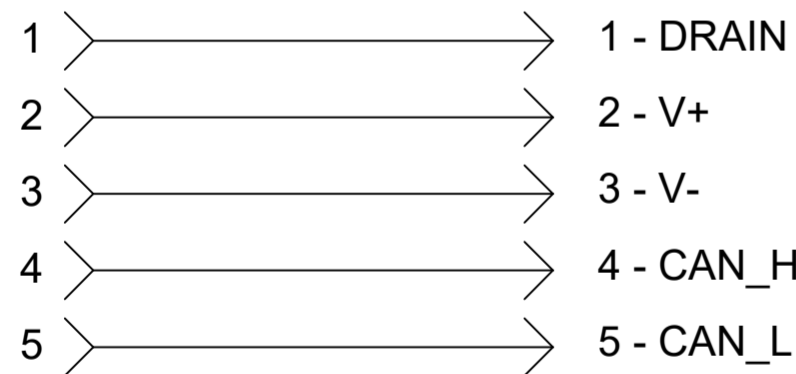
ID CARRIER

H - SEE NOTE 9
BLANK - NO ID CARRIER

CABLE LENGTH TOLERANCES	
<.3M [1FT]:	+19mm-0 [+.75in-0]
.3 - .9M [1 - 3FT]:	+44.5mm-0 [+1.75in-0]
.9 - 1.8M [3 - 6FT]:	+55.6mm-0 [+2.19in-0]
1.8 - 3.7M [6 - 12FT]:	+88.9mm-0 [+3.50in-0]
3.7 - 7.3M [12 - 24FT]:	+165.1mm-0 [+6.50in-0]
7.3-14.6M [24 - 48FT]:	+317.5mm-0 [+12.50in-0]
14.6 - 30.5M [48-100FT]:	+622.3mm-0 [+24.50in-0]
OVER 30M [100FT]	+2% OF FINISHED LENGTH

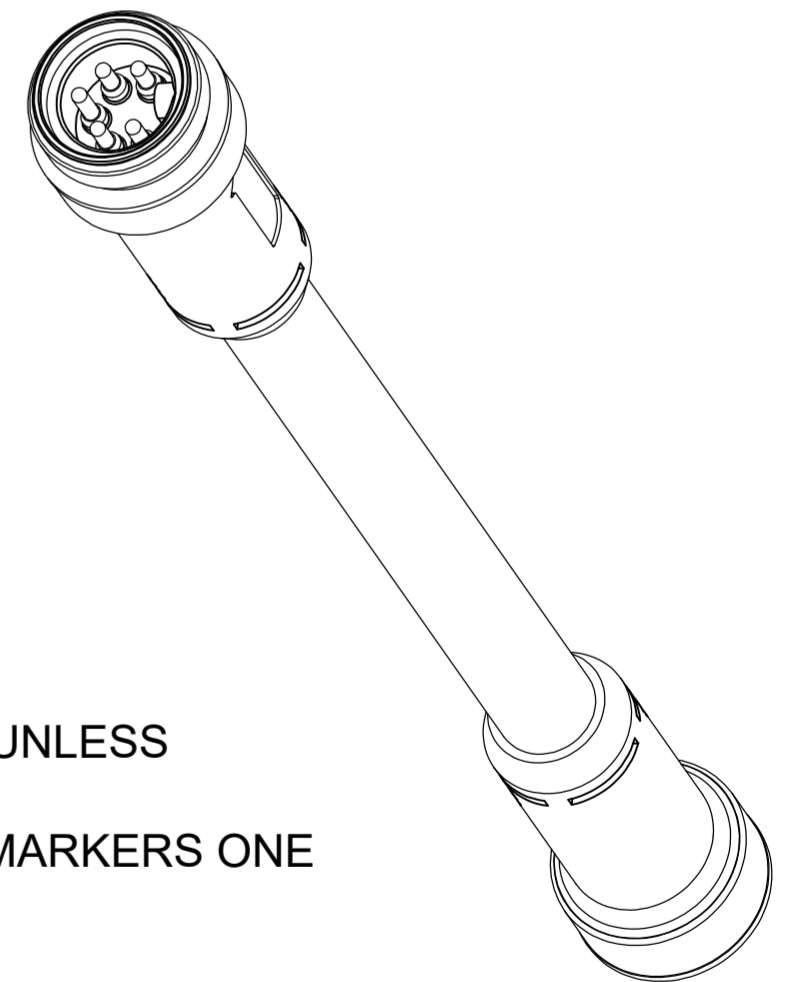


SCHEMATIC



NOTES:

1. MATERIAL: AS NOTED
2. FINISH: AS NOTED
3. ELECTRICAL:
VOLTAGE RATING PER IEC 60664: 300V
VOLTAGE RATING PER UL: 300V
CURRENT: 8A
4. TEMP RATING: -20° TO +60°C
5. PROTECTION: IP67 (WHEN MATED)
6. COUPLING THREAD: 7/8-16
7. UL RECOGNIZED FILE: E152210
CSA CERTIFIED FILE: LR6837
8. ALL DIMENSIONS ARE FOR REFERENCE UNLESS TOLERANCED OR NOTED OTHERWISE
9. PART NUMBERS WITH "H" HAVE TWO ID MARKERS ONE ON EACH END



ITEM	COMPONENT	MATERIAL	FINISH
1	INSERTS	TPE	GRAY
2	CONTACT SOCKET	COPPER ALLOY	GOLD OVER NICKEL
3	CONTACT PIN	COPPER ALLOY	GOLD OVER NICKEL
4	COUPLING NUTS	ZINC DIE CAST	BLACK E-COATED
5	OVERMOLDS	TPE	GRAY
6	TRUNK CABLE 2TPR CORD 15/18AWG	PVC	GRAY
7	LABEL	VINYL	BLACK/YELLOW
8	ID CARRIER	PVC	CLEAR

THIS DRAWING CONTAINS INFORMATION THAT IS PROPRIETARY TO MOLEX ELECTRONIC TECHNOLOGIES, LLC AND SHOULD NOT BE USED WITHOUT WRITTEN PERMISSION													
FUNCTIONAL SYMBOLS	DIMENSION UNITS	SCALE	CURRENT REV DESC: ITEM# 1 & 5 WERE PVC. UPDATED TEMP RATING. ADDED CABLE DIA. MODIFIED MATERIAL NUMBER TABLE										
	INCH/MM	NTS	EC NO: 645633 DRWN: ABENJAMINLW 2020/09/02 CHK'D: RSTONE 2020/09/29 APPR: BWOODMAN 2020/10/23 INITIAL REVISION: DRWN: BWOODMAN 2009/03/16 APPR: JFMURPHY 2009/03/31										
GENERAL TOLERANCES (UNLESS SPECIFIED)													
DIVISIONAL SYMBOLS	mm		INCH		DOCUMENT NUMBER							DOC TYPE/DOC PART REVISION	
	4 PLACES	±----	±----	SD-130025-001							PSD 001 G		
	3 PLACES	±----	±----	MATERIAL NUMBER							SEE CHART		
	2 PLACES	±----	±----	CUSTOMER							GENERAL MARKET		
1 PLACE		±----	±----	SERIES							130025		
0 PLACES		±----	±----	SHEET NUMBER							1 OF 1		
ANGULAR TOL ± ---- °				DRAFT WHERE APPLICABLE MUST REMAIN WITHIN DIMENSIONS		THIRD ANGLE PROJECTION		DRAWING		C-SIZE			