

TLX9160T

Battery Control in Automotive Equipment
 Fuel Battery Control in Automotive Equipment
 Application for Electrical Vehicle

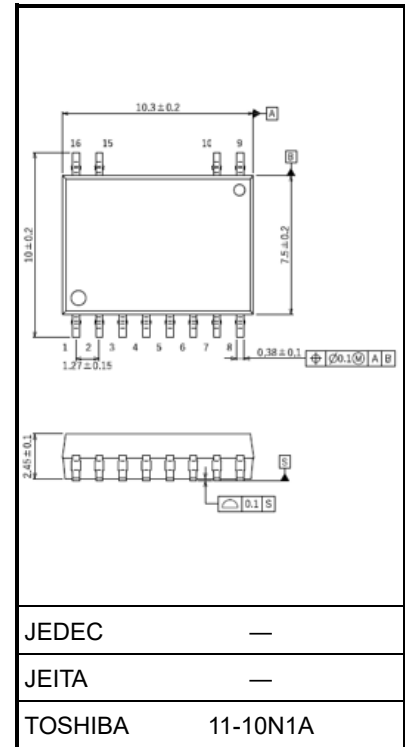
Unit: mm

The Toshiba TLX9160T consists of an infrared emitting diode optically coupled to a photo-MOSFET in a SO16L-T package.

This coupler uses high voltage MOSFET between output terminals.

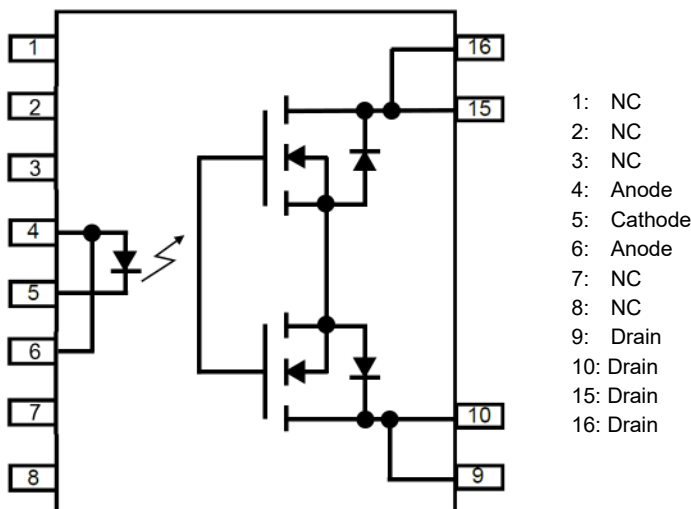
It adequate for the automotive control applications with a battery voltage of 1000V or less in an environment with a pollution degree 2 since the creepage distance on the detector side is 5mm or more.

- Normally open (1-Form-A) device
- Peak off-state voltage: 1500 V (min)
- Trigger LED current: 3 mA (max)
- On-state current: 50 mA (max)
- On-state resistance: 250 Ω (max)(@ t < 1 s)
- Isolation voltage: 5000 Vrms (min)
- Clearance distance: 8mm (min)
- Creepage distance: 8mm (min)
- Insulation thickness: 0.4mm (min)
- Outer resin: CTI>600
- AEC-Q101 qualified



Weight: 0.42 g (typ.)

Pin Configuration (top view)



Absolute Maximum Rating (Unless otherwise specified, Ta = 25°C) (Note)

Characteristics		Symbol	Rating	Unit	
LED	Forward current	I_F	30	mA	
	Forward current derating (Ta ≥ 100°C)	$\Delta I_F/^\circ\text{C}$	-0.8	mA/°C	
	Reverse voltage	V_R	5	V	
	Input Power Dissipation	PD	50	mW	
	Input Power Dissipation Derating (Ta ≥ 100 °C)	$\Delta PD/^\circ\text{C}$	-1.3	mW/°C	
	Junction temperature	T_j	135	°C	
Detector	On-state current	Ta = 25 °C	I_{ON}	50	mA
		Ta = 105 °C		20	mA
		Ta = 125 °C		10	mA
	On-state current derating	Ta-45°C	$\Delta I_{ON}/^\circ\text{C}$	-0.5	mA/°C
	On-state current (Peak) (Note 3)	Ta = 25 °C	I_{ONpk}	150	mA
		Ta = 105 °C		60	mA
		Ta = 125 °C		30	mA
	Avalanche current (Note 1)	I_{AV}	0.6	mA	
	Output power dissipation	P_O	600	mW	
	Output power dissipation derating (Ta ≥ 47 °C)	$\Delta P_O/^\circ\text{C}$	-7	mW/°C	
Junction temperature	T_j	135	°C		
Storage temperature	T_{stg}	-55 to 150	°C		
Operating temperature	T_{opr}	-40 to 125	°C		
Lead soldering temperature (10 s)	T_{sol}	260	°C		
Isolation voltage (AC, 60 s, R.H. ≤ 60%) (Note 2)	BV_S	5000	Vrms		

Note: Using continuously under heavy loads (e.g. the application of high temperature/current/voltage and the significant change in temperature, etc.) may cause this product to decrease in the reliability significantly even if the operating conditions (i.e. operating temperature/current/voltage, etc.) are within the absolute maximum ratings. Please design the appropriate reliability upon reviewing the Toshiba Semiconductor Reliability Handbook ("Handling Precautions"/"Derating Concept and Methods") and individual reliability data (i.e. reliability test report and estimated failure rate, etc).

Note: This product is more sensitive than conventional products to electrostatic discharge (ESD). It is therefore all the more necessary to observe general precautions regarding ESD when handling this component.

Note 1: 1min (max. continuous), Duty cycle=0.1%, 5 time over lifetime.

Note 2: LED pins are shorted together. Detector pins are also shorted together.

Note 3: Exponential curve, pulse width < 1ms, f ≤ 150Hz

Recommended Operating Conditions (Note)

Characteristics	Symbol	Min	Typ.	Max	Unit
Supply voltage	V_{DD}	—	—	1000	V
Forward current	I_F	5	10	20	mA
On-state current	I_{ON}	—	—	50	mA
Operating temperature	T_{opr}	-40	—	125	°C

Note: Recommended operating conditions are given as a design guideline to obtain expected performance of the device. Additionally, each item is an independent guideline respectively. In developing designs using this product, please confirm specified characteristics shown in this document.

Electrical Characteristics (Unless otherwise specified, Ta = 25°C)

Characteristics		Symbol	Test Condition	Min	Typ.	Max	Unit
LED	Forward voltage	V _F	I _F = 10 mA	1.5	1.65	1.8	V
			I _F = 10 mA, Ta = -40 to 125 °C	1.4	—	1.95	
	Reverse current	I _R	V _R = 5 V	—	—	10	μA
	Capacitance	C _T	V = 0 V, f = 1 MHz	—	45	—	pF
Detector	Output withstand voltage	V _{OFF}	I _{OFF} =10μA, Ta=25 °C (Note1)	1500	—	—	V
	Off-state current	I _{OFF}	V _{OFF} = 1000 V, Ta = 25 °C	—	—	100	nA
			V _{OFF} = 1000 V, Ta = 105 °C	—	—	1000	
			V _{OFF} = 1000 V, Ta = 125 °C	—	—	5000	
Capacitance	C _{OFF}	V _{OFF} = 0 V, f = 1 MHz	—	100	—	pF	

Note 1: Reliability test of applying high voltage is demonstrated at 1200V.

Coupled Electrical Characteristics

Characteristics	Symbol	Test Condition	Min	Typ.	Max	Unit
Trigger LED current	I _{FT}	I _{ON} = 50 mA, Ta=25 °C, t = 10 ms	—	—	3	mA
		I _{ON} = 20 mA, Ta= -40 to 105 °C, t = 10 ms	—	—	3	
		I _{ON} = 10 mA, Ta= -40 to 125 °C, t = 10 ms	—	—	3	
Return LED current	I _{FC}	I _{OFF} = 100 μA, Ta= -40 to 125 °C, t = 40 ms	0.05	—	—	mA
On-state resistance	R _{ON}	I _{ON} = 50 mA, I _F = 10 mA, Ta = 25 °C, t < 1 s	—	—	250	Ω
		I _{ON} = 20 mA, I _F = 10 mA, Ta = 105 °C, t < 1 s	—	—	350	
		I _{ON} = 10 mA, I _F = 10 mA, Ta = 125 °C, t < 1 s	—	—	400	

Isolation Characteristics (Ta = 25°C)

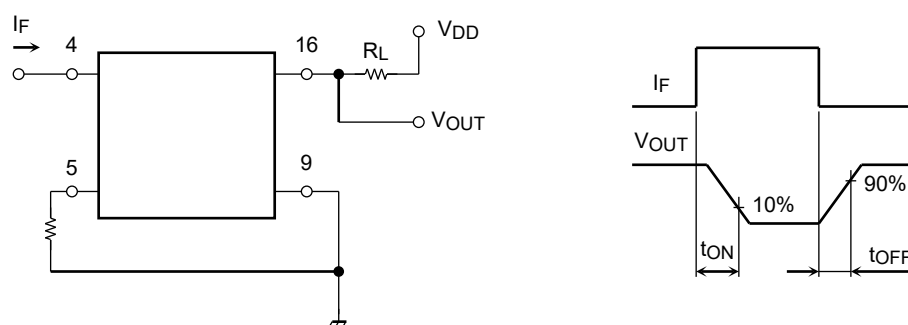
Characteristics	Symbol	Test Condition	Min	Typ.	Max	Unit
Capacitance input to output	C _S	V _S = 0 V, f = 1 MHz (Note 1)	—	0.9	—	pF
Isolation resistance	R _S	V _S = 1000 V, R.H. ≤ 60 % (Note 1)	5 × 10 ¹⁰	10 ¹⁴	—	Ω
Isolation voltage	BV _S	AC, 60 s (Note 1)	5000	—	—	V _{rms}

Note 1: Device considered a two terminal device: Pins 1 to 8 shorted together, and pins 9, 10, 15 and 16 shorted together.

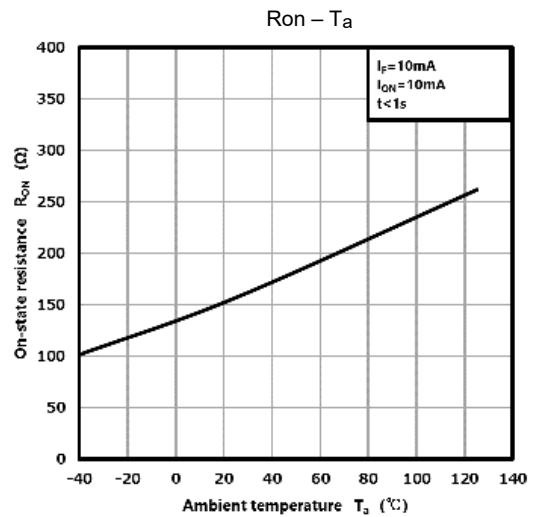
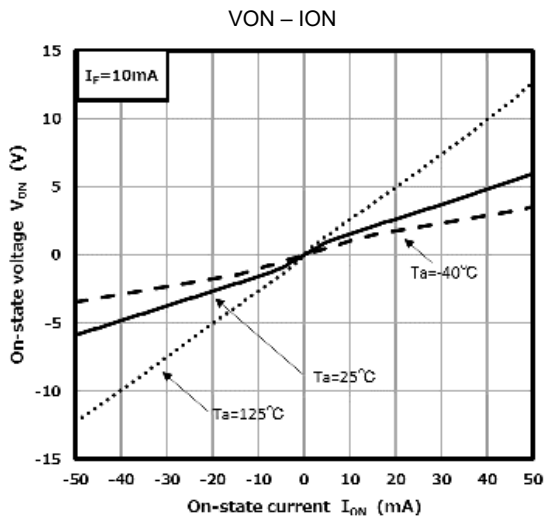
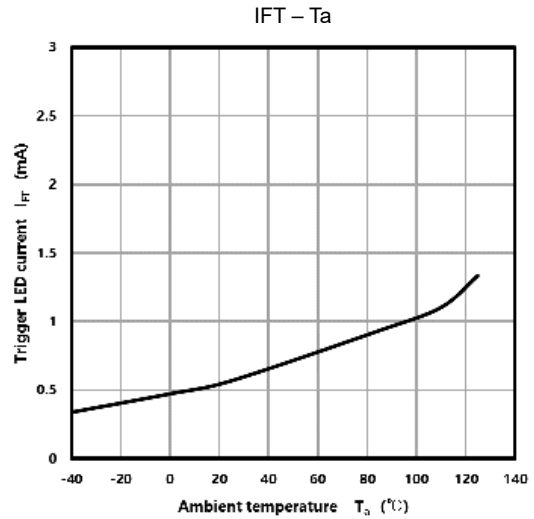
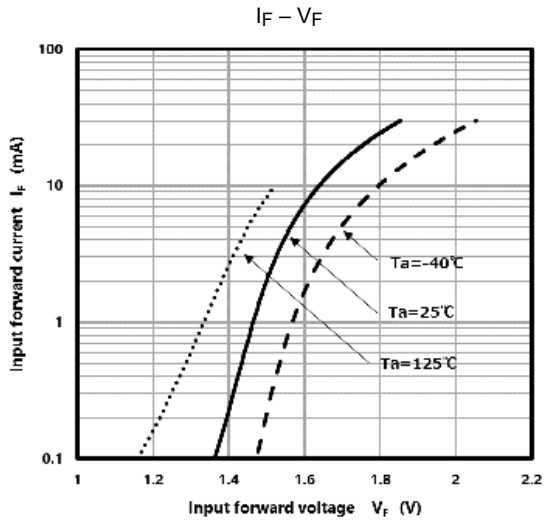
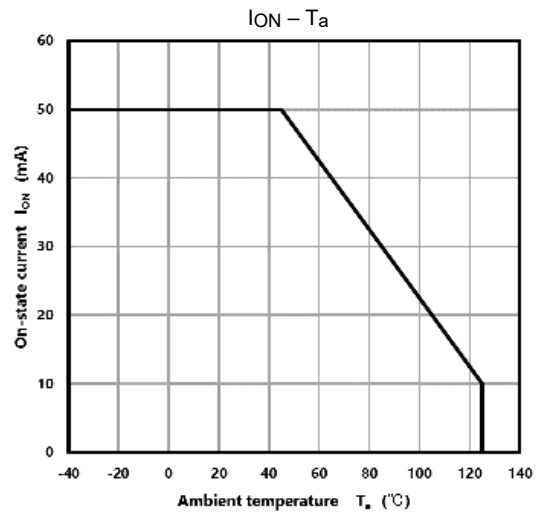
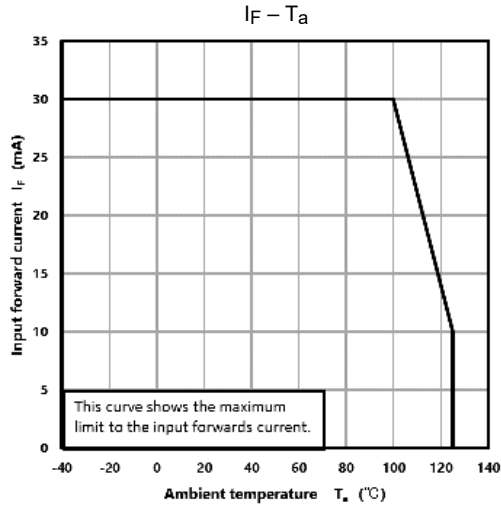
Switching Characteristics

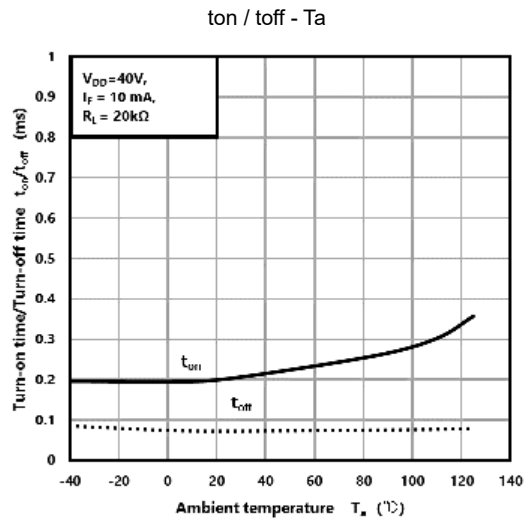
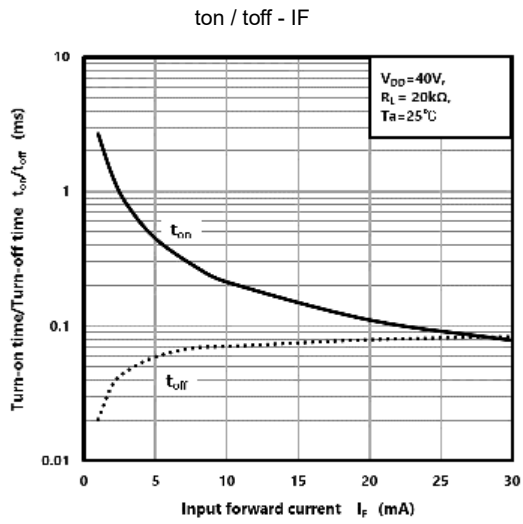
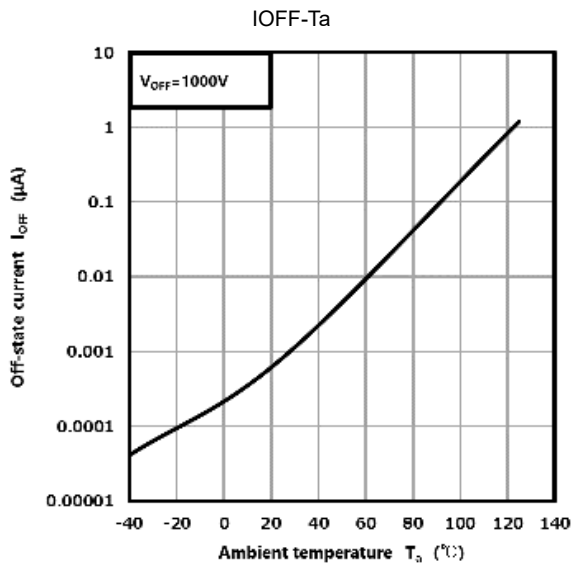
Characteristics	Symbol	Test Condition		Min	Typ.	Max	Unit
Turn-on time	t_{ON}	$I_F = 10\text{ mA}$, $R_L = 20\text{ k}\Omega$,	$T_a = 25\text{ }^\circ\text{C}$	—	—	1	ms
Turn-off time	t_{OFF}			—	—	1	
Turn-on time	t_{ON}	$V_{DD} = 40\text{ V}$ (Note 1)	$T_a = -40\text{ to }125\text{ }^\circ\text{C}$	—	—	1	ms
Turn-off time	t_{OFF}			—	—	1	

Note 1: Switching time test circuit



Characteristics curve (Note)





Note: The above characteristics curves are presented for reference only and not guaranteed by production test, unless otherwise noted.

RESTRICTIONS ON PRODUCT USE

Toshiba Corporation and its subsidiaries and affiliates are collectively referred to as "TOSHIBA". Hardware, software and systems described in this document are collectively referred to as "Product".

- TOSHIBA reserves the right to make changes to the information in this document and related Product without notice.
- This document and any information herein may not be reproduced without prior written permission from TOSHIBA. Even with TOSHIBA's written permission, reproduction is permissible only if reproduction is without alteration/omission.
- Though TOSHIBA works continually to improve Product's quality and reliability, Product can malfunction or fail. Customers are responsible for complying with safety standards and for providing adequate designs and safeguards for their hardware, software and systems which minimize risk and avoid situations in which a malfunction or failure of Product could cause loss of human life, bodily injury or damage to property, including data loss or corruption. Before customers use the Product, create designs including the Product, or incorporate the Product into their own applications, customers must also refer to and comply with (a) the latest versions of all relevant TOSHIBA information, including without limitation, this document, the specifications, the data sheets and application notes for Product and the precautions and conditions set forth in the "TOSHIBA Semiconductor Reliability Handbook" and (b) the instructions for the application with which the Product will be used with or for. Customers are solely responsible for all aspects of their own product design or applications, including but not limited to (a) determining the appropriateness of the use of this Product in such design or applications; (b) evaluating and determining the applicability of any information contained in this document, or in charts, diagrams, programs, algorithms, sample application circuits, or any other referenced documents; and (c) validating all operating parameters for such designs and applications. **TOSHIBA ASSUMES NO LIABILITY FOR CUSTOMERS' PRODUCT DESIGN OR APPLICATIONS.**
- **PRODUCT IS NEITHER INTENDED NOR WARRANTED FOR USE IN EQUIPMENTS OR SYSTEMS THAT REQUIRE EXTRAORDINARILY HIGH LEVELS OF QUALITY AND/OR RELIABILITY, AND/OR A MALFUNCTION OR FAILURE OF WHICH MAY CAUSE LOSS OF HUMAN LIFE, BODILY INJURY, SERIOUS PROPERTY DAMAGE AND/OR SERIOUS PUBLIC IMPACT ("UNINTENDED USE").** Except for specific applications as expressly stated in this document, Unintended Use includes, without limitation, equipment used in nuclear facilities, equipment used in the aerospace industry, medical equipment, equipment used for automobiles, trains, ships and other transportation, traffic signaling equipment, equipment used to control combustions or explosions, safety devices, elevators and escalators, devices related to electric power, and equipment used in finance-related fields. **IF YOU USE PRODUCT FOR UNINTENDED USE, TOSHIBA ASSUMES NO LIABILITY FOR PRODUCT.** For details, please contact your TOSHIBA sales representative.
- Do not disassemble, analyze, reverse-engineer, alter, modify, translate or copy Product, whether in whole or in part.
- Product shall not be used for or incorporated into any products or systems whose manufacture, use, or sale is prohibited under any applicable laws or regulations.
- The information contained herein is presented only as guidance for Product use. No responsibility is assumed by TOSHIBA for any infringement of patents or any other intellectual property rights of third parties that may result from the use of Product. No license to any intellectual property right is granted by this document, whether express or implied, by estoppel or otherwise.
- **ABSENT A WRITTEN SIGNED AGREEMENT, EXCEPT AS PROVIDED IN THE RELEVANT TERMS AND CONDITIONS OF SALE FOR PRODUCT, AND TO THE MAXIMUM EXTENT ALLOWABLE BY LAW, TOSHIBA (1) ASSUMES NO LIABILITY WHATSOEVER, INCLUDING WITHOUT LIMITATION, INDIRECT, CONSEQUENTIAL, SPECIAL, OR INCIDENTAL DAMAGES OR LOSS, INCLUDING WITHOUT LIMITATION, LOSS OF PROFITS, LOSS OF OPPORTUNITIES, BUSINESS INTERRUPTION AND LOSS OF DATA, AND (2) DISCLAIMS ANY AND ALL EXPRESS OR IMPLIED WARRANTIES AND CONDITIONS RELATED TO SALE, USE OF PRODUCT, OR INFORMATION, INCLUDING WARRANTIES OR CONDITIONS OF MERCHANTABILITY, FITNESS FOR A PARTICULAR PURPOSE, ACCURACY OF INFORMATION, OR NONINFRINGEMENT.**
- GaAs (Gallium Arsenide) is used in Product. GaAs is harmful to humans if consumed or absorbed, whether in the form of dust or vapor. Handle with care and do not break, cut, crush, grind, dissolve chemically or otherwise expose GaAs in Product.
- Do not use or otherwise make available Product or related software or technology for any military purposes, including without limitation, for the design, development, use, stockpiling or manufacturing of nuclear, chemical, or biological weapons or missile technology products (mass destruction weapons). Product and related software and technology may be controlled under the applicable export laws and regulations including, without limitation, the Japanese Foreign Exchange and Foreign Trade Law and the U.S. Export Administration Regulations. Export and re-export of Product or related software or technology are strictly prohibited except in compliance with all applicable export laws and regulations.
- Please contact your TOSHIBA sales representative for details as to environmental matters such as the RoHS compatibility of Product. Please use Product in compliance with all applicable laws and regulations that regulate the inclusion or use of controlled substances, including without limitation, the EU RoHS Directive. **TOSHIBA ASSUMES NO LIABILITY FOR DAMAGES OR LOSSES OCCURRING AS A RESULT OF NONCOMPLIANCE WITH APPLICABLE LAWS AND REGULATIONS.**

TOSHIBA ELECTRONIC DEVICES & STORAGE CORPORATION

<https://toshiba.semicon-storage.com/>