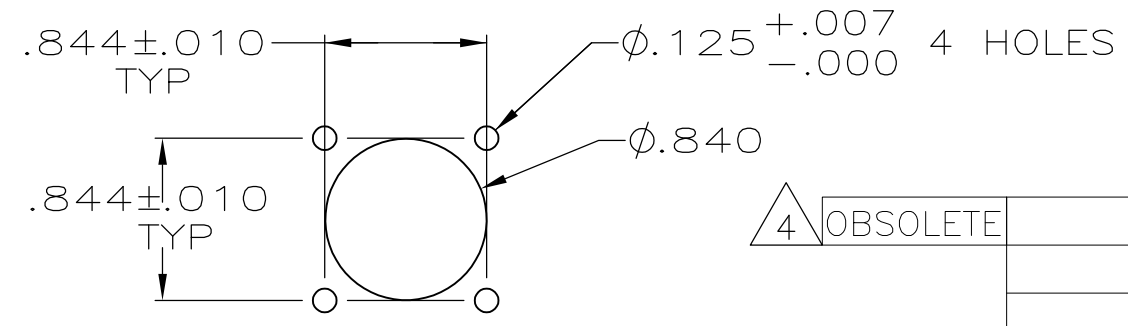
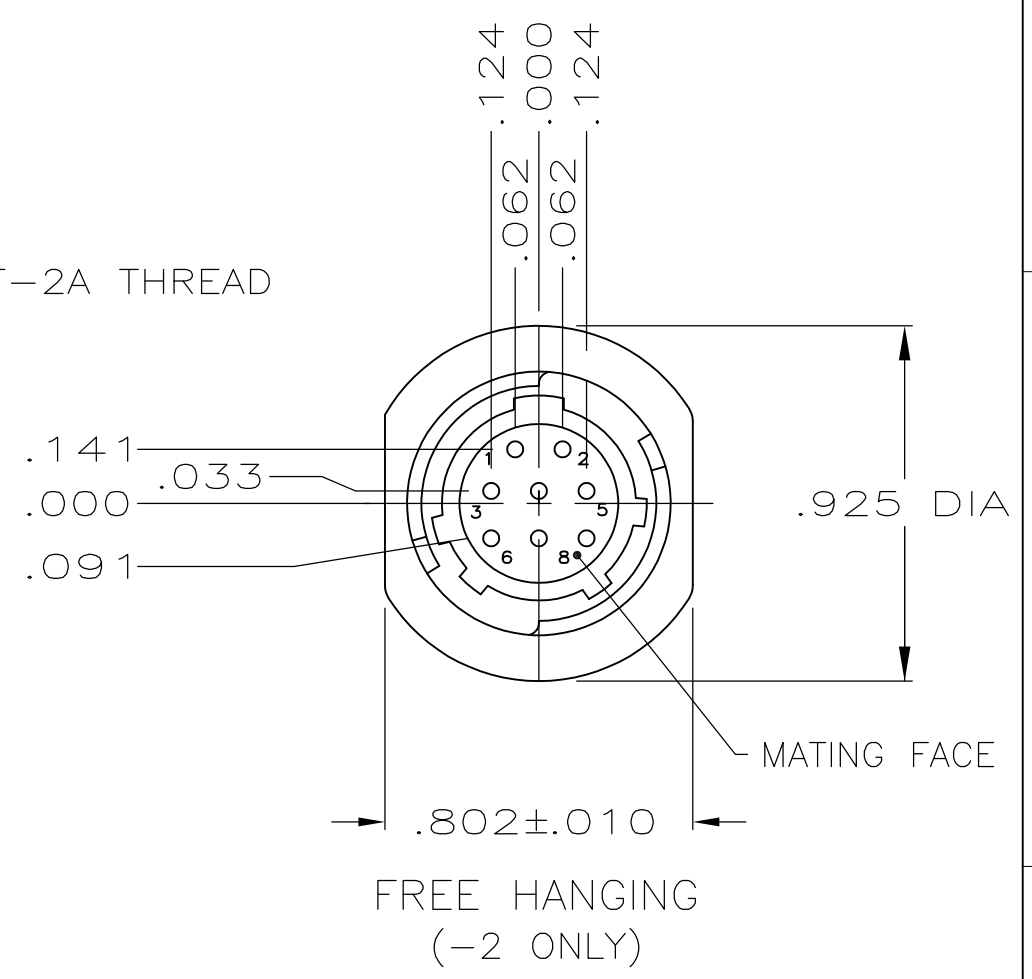
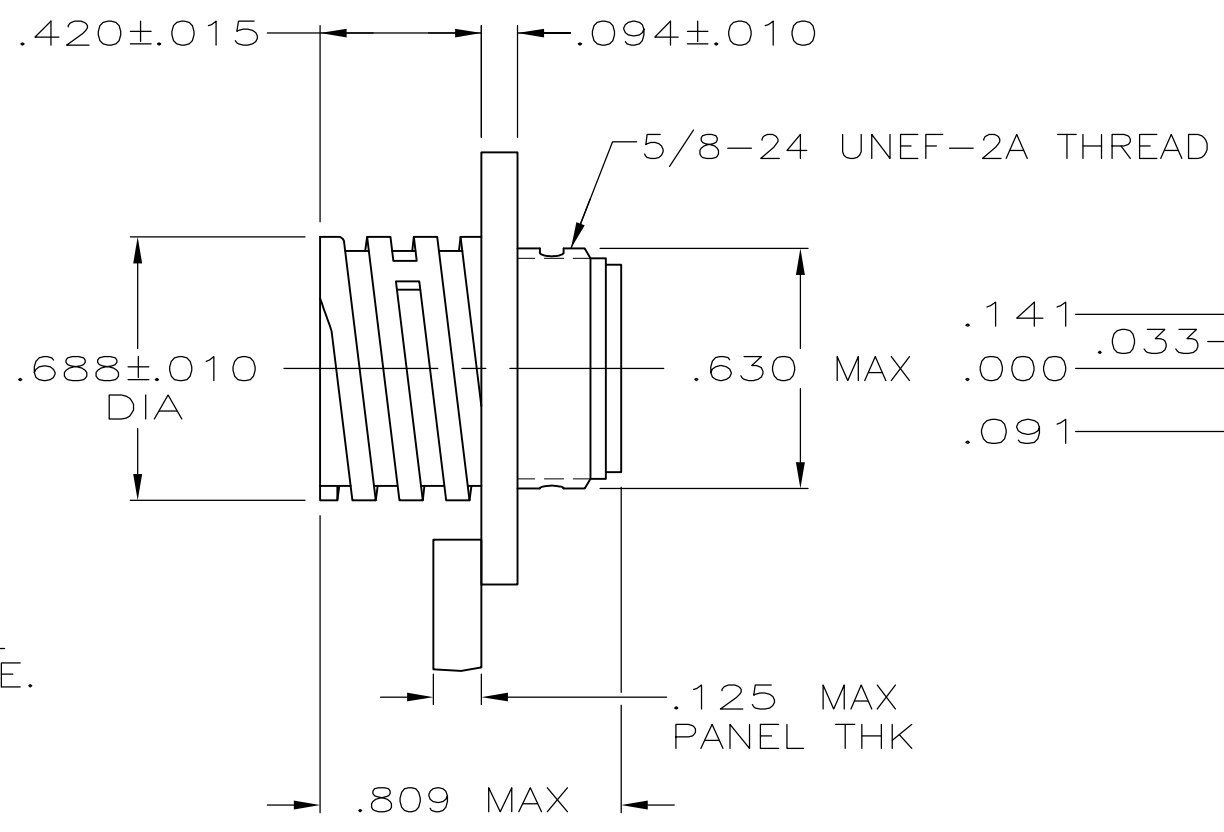
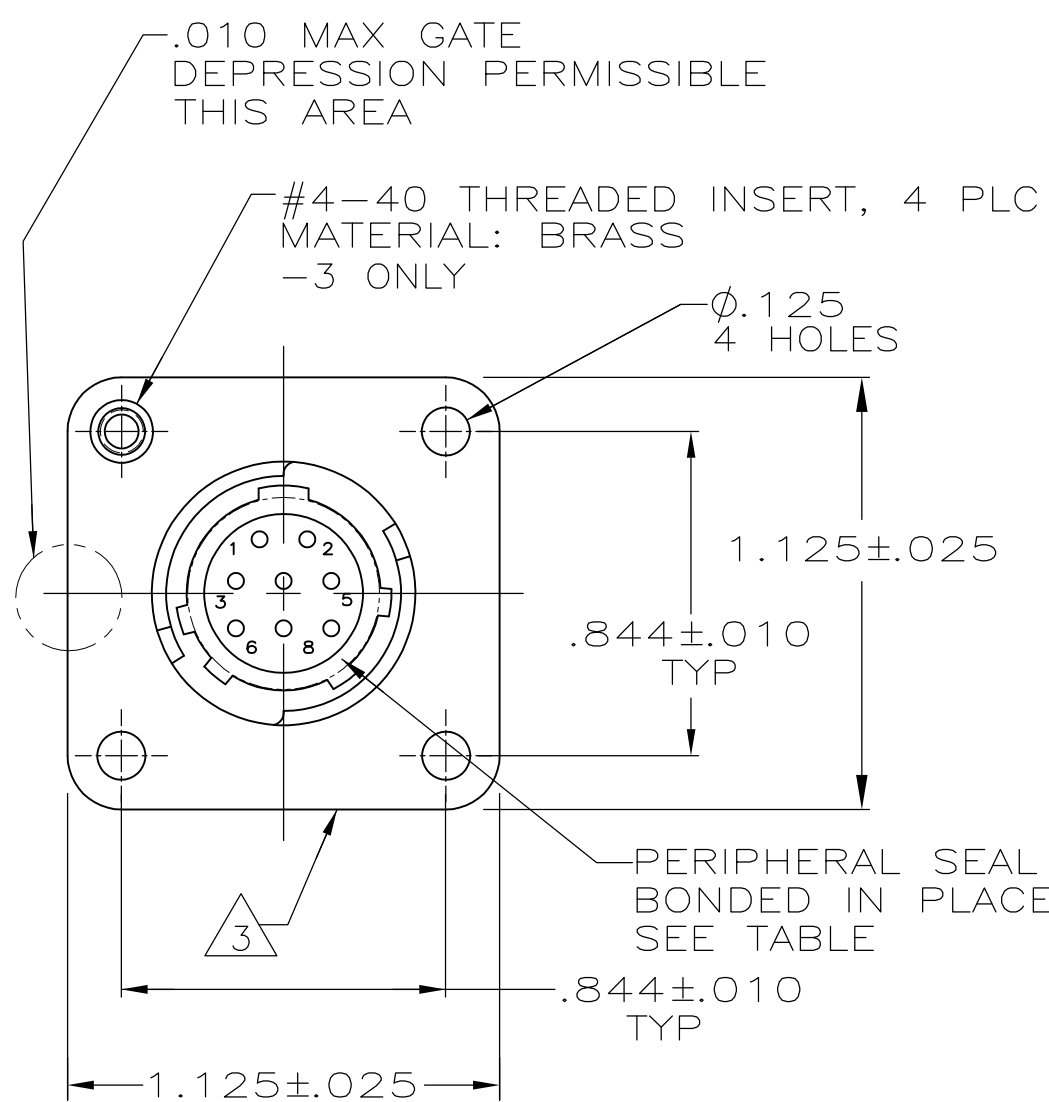


THIS DRAWING IS UNPUBLISHED. RELEASED FOR PUBLICATION
 © COPYRIGHT - By - ALL RIGHTS RESERVED.

LOC	DIST	REVISIONS					
FT	0	P	LTR	DESCRIPTION	DATE	DWN	APVD
			N4	REVISED PER ECO-13-019645	14DEC2013	KH	MZ



PANEL CUTOUT SCALE 1:1

4 OBSOLETE	-	YES	YES	205841-4
	205841-1	YES	NO	205841-3
	205841-2	NO	NO	205841-2
	205841-1	NO	NO	205841-1
PART NUMBER LOCATED ON FLANGE EDGE		THREADED INSERTS	PERIPHERAL SEAL	PART NUMBER

- 1 CONTACT CAVITIES IDENTIFIED BY CHARACTERS ON FRONT AND REAR FACES OF CONNECTOR.
- 2 WILL ACCEPT (8) SIZE 20 PIN CONTACTS.
- 3 AMP LOGO AND PART NUMBER LOCATED ON ANY FLANGE EDGE SEE CHART FOR PART NUMBER
- 4 OBSOLETE PARTS: OBSOLETE CIS STREAMLINING PER D.RENAUD/D.SINISI

THIS DRAWING IS A CONTROLLED DOCUMENT.		DWN	4/5/91		 TE Connectivity
		CHK	7-24-92		
		APVD	-		
		NAME	-		
DIMENSIONS: INCHES		TOLERANCES UNLESS OTHERWISE SPECIFIED:		PRODUCT SPEC	
		0 PLC ± -		108-10024	
		1 PLC ± -		APPLICATION SPEC	
		2 PLC ± -		-	
		3 PLC ± .005		SIZE	
		4 PLC ± -		CAGE CODE	
		ANGLES ± -		DRAWING NO	
		FINISH		RESTRICTED TO	
MATERIAL		-		-	
THERMOPLASTIC, BLK		-		-	
CUSTOMER DRAWING			WEIGHT	-	
			SCALE	2:1	
			SHEET	1 OF 1	
			REV	N4	