

SIGN	DATE	DESCRIPTION	APPROVER
△	04/08'09	The current rating and operating temperature are changed	Jacke
△	04/08'09	Added cULus standard	Jacke
△	2010.01.30	The material is changed from Brass to Copper	Jacke
△	07/31'12	Added TUV standard	Chen Bo
△	07/31'12	The IEC spec is removed	Chen Bo
△	07/31'12	Soldering temperature changed from 250°C±10°C/5Sec to 260°C± 5°C/5Sec	Chen Bo

THIS IS CAD DRAWING, DO NOT REVISE MANUALLY!!!

Material

- △3 ● Item a Male contact pin : Copper with Tin plated
- Item b Terminal (housing):Thermoplastic (UL94V-0)

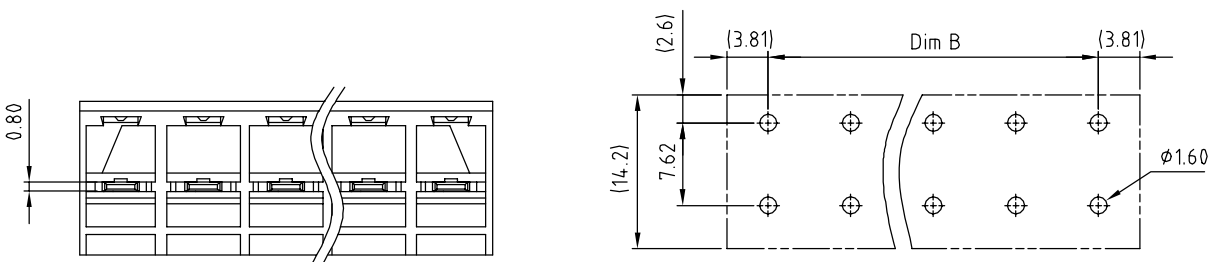
△5	Electrical	cULus	TUV
●	Voltage rating:	300V	800V
△1	Current rating:	32A	32A
●	Withstanding Voltage:	1.6KV	6KV
●	Operating temperature:	-40°C to +115°C	
△6	Soldering temperature:	260°C± 5°C/5 Sec	
△4	Safety Approval:	cULus	TUV
●	Critical dimension:	▽	

VC xx 00 x 1 xxxx G

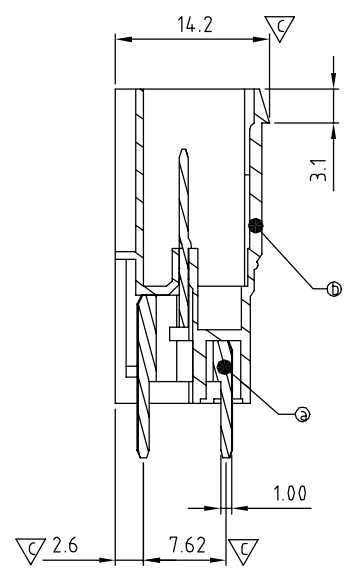
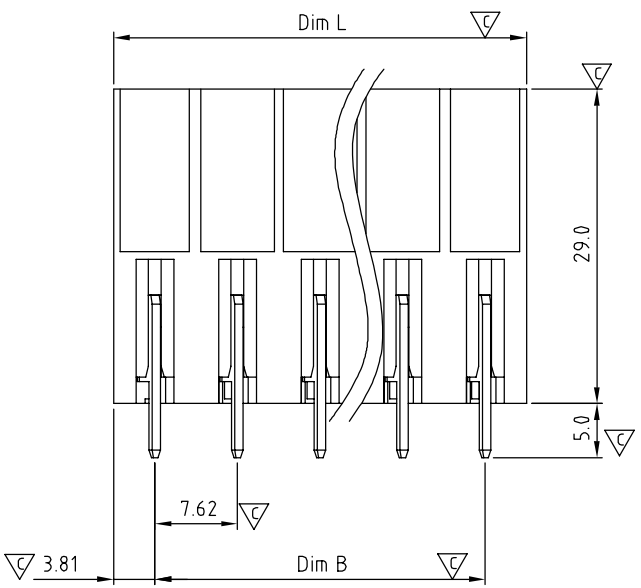
Solid Block
02 2 POLES
03 3 POLES
... ..
16 16 POLES

COLOR
0 Black (RAL9005)
2 Red (RAL3001/D)
3 Orange(RAL2011/P)
4 Yellow(RAL1018/A)
5 Green(RAL6018/T)
6 Blue (RAL5015/A)
8 Grey(RAL7035/D)

G RoHS compliant (lead<4%)
In copper Alloy
000 0 Standard @ Logo
000 A Standard ANY Logo
Any special item by customer request, please contact sales department.



P.C.B LAYOUT



DIM		TOL			
		2P-5P	6P-10P	11P-13P	14P-16P
Dim L	N×7.62	±0.20	±0.30	±0.35	±0.40
Dim B	(N-1)×7.62	±0.20	±0.30	±0.35	±0.40

ANYTEK				CUSTOMER COPY			
ALL RIGHTS RESERVED. REPRODUCTION OR ISSUE TO THIRD PARTIES IN ANY FORM WHATSOEVER IS NOT PERMITTED WITHOUT WRITTEN AUTHORITY FROM THE PROPRIETOR. PROPERTY OF ANYTEK TECHNOLOGY CO., LTD							
TITLE		VC 7.62 SERIES Vertical (180D)					
PART NO.		VCxx00x1xxxxG			DWG NO.		8VC0002
APPROVED		CHECKED		DESIGNED		DRAWN	
		Chen Bo 07/31'12		Chen Bo 07/31'12		CUST NO.	
						Tolerance	
						X. ±0.50	
						X.X ±0.30	
						X.XX ±0.10	
						X° ±1°	
				SHEET: 01/01		UNIT: mm	
						SCALE: NONE	
						REV.: E	