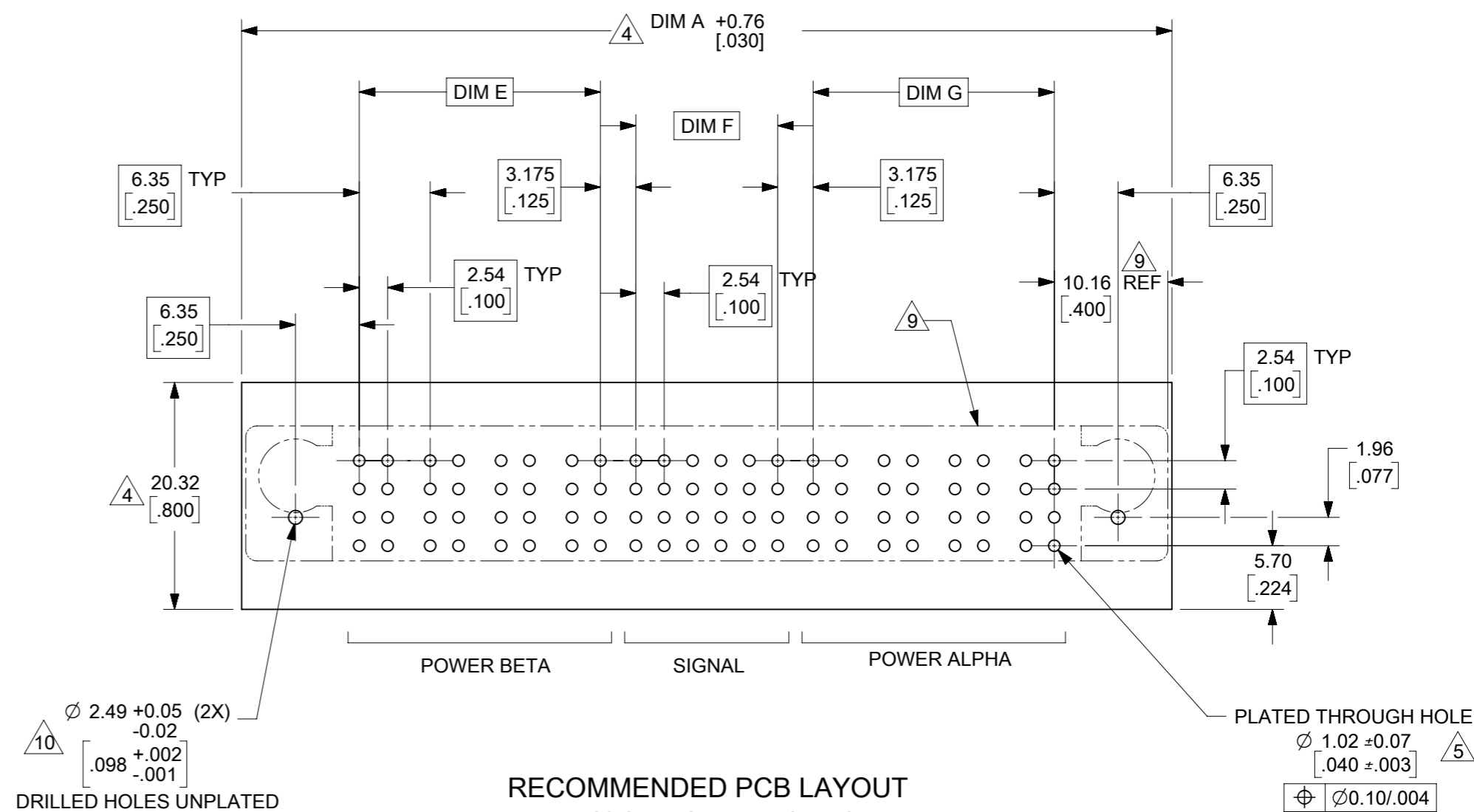


THIS DRAWING CONTAINS INFORMATION THAT IS PROPRIETARY TO MOLEX ELECTRONIC TECHNOLOGIES, LLC AND SHOULD NOT BE USED WITHOUT WRITTEN PERMISSION											
DIMENSION UNITS		SCALE		CURRENT REV DESC: OBSOLETE PART NO						molex	
MM/IN		NTS									
GENERAL TOLERANCES (UNLESS SPECIFIED)				EC NO: 618848		DRWN: AKUMAR19		2018/07/16		POWER CONN. RECEPTACLE	
				CHK'D: GGA		APPR: GGA		2019/09/05		P-S-P CONFIGURATION VERT. PRESS-FIT, W/G POST	
				INITIAL REVISION:		DRWN: KMGH		2002/11/19		PRODUCT CUSTOMER DRAWING	
				ANGULAR TOL ± 3.0°		APPR: SKTOH		2002/11/21		DOCUMENT NUMBER	
DRAFT WHERE APPLICABLE MUST REMAIN WITHIN DIMENSIONS				THIRD ANGLE PROJECTION		DRAWING		SERIES		MATERIAL NUMBER	
				A3-SIZE		87633		SEE TABLE		CUSTOMER	
						GENERAL MARKET		SHEET NUMBER		1 OF 3	

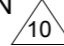
NOTES

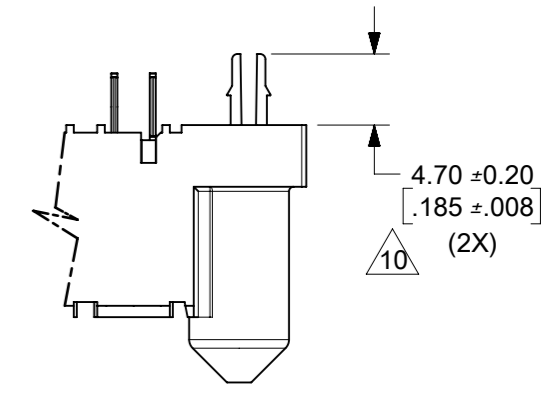
- 1 MATERIALS :-
HOUSING - LCP, GLASS FILLED, UL94V-0,
COLOR: BLACK.
SIGNAL TERMINAL - COPPER ALLOY
POWER TERMINAL - COPPER ALLOY
- 2 FINISH :-
SIGNAL & POWER CONTACTS
0.76 MICROMETER MINIMUM GOLD (Au) AT CONTACT AREA
AND 2.54 MICROMETER MINIMUM TIN AT SOLDER TAIL
AREA OVER 1.27µm MINIMUM NICKEL (Ni) UNDERPLATE.
- 3 SPECIFICATIONS :-
PRODUCT SPECIFICATION : PS-87633-006
APPLICATION SPECIFICATION : AS-87633-007
- 4 COMPONENT STAY AWAY ZONE FROM CONNECTOR.
- 5 PCB NOTE FOR DIAMETER 1.02/.040 PLATED HOLE.
- DRILLED HOLE SIZE IS 1.151/.0453
- PLATED WITH 0.007/.0003 MINIMUM TIN OVER
0.03/.001 TO 0.08/.003 COPPER PLATING TO ACHIEVE
1.02±0.08/.040±.003 HOLE.
- 6 ALL TERMINAL TIPS ARE DESIGNED WITH EXPOSED BASE COPPER.
THIS IS CREATED BY FINAL CUTTING PROCESS AFTER PLATING.
- 7 MANUFACTURER LOGO, PART NUMBER AND YEAR-WEEK CODE.
- 8 4Pa-24S-4Pb CONFIGURATION IS SHOWN FOR ILLUSTRATION ONLY.
P-S-P CONFIGURATION IS AVAILABLE UP TO 203MM/8INCH.
PLEASE CONTACT MOLEX SALES PERSONNEL FOR OTHER
CONFIGURATION AND OPTION NEEDED.
- 9 IMAGINARY LINE AND DIMENSION TO POSITION AND PROVIDE
CONNECTOR ORIENTATION WITH RESPECT TO PCB LAYOUT.
- 10 OPTIONAL BOARDLOCK FEATURE FOR SYMETRICAL POWER CONFIG
FULL PROOFING UPON CUSTOMER REQUEST.



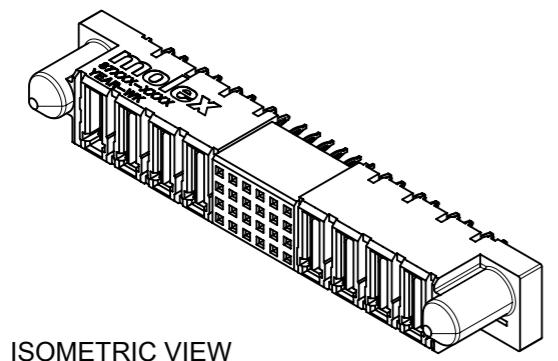
**RECOMMENDED PCB LAYOUT
(COMPONENT SIDE)**

THIS DRAWING CONTAINS INFORMATION THAT IS PROPRIETARY TO MOLEX ELECTRONIC TECHNOLOGIES, LLC AND SHOULD NOT BE USED WITHOUT WRITTEN PERMISSION											
DIMENSION UNITS MM/IN		SCALE NTS		CURRENT REV DESC: OBSOLETE PART NO				molex		POWER CONN. RECEPTACLE P-S-P CONFIGURATION VERT. PRESS-FIT, W/G POST	
GENERAL TOLERANCES (UNLESS SPECIFIED)				EC NO: 618848 DRWN: AKUMAR19 2018/07/16 CHK'D: GGA 2019/09/05 APPR: GGA 2019/09/05							
4 PLACES ±		±		INITIAL REVISION:				DOCUMENT NUMBER		DOC TYPE DOC PART REVISION	
3 PLACES ±		± 0.01		DRWN: KMGH 2002/11/19				SD-87633-013		PSD 001 E	
2 PLACES ±		± 0.25		APPR: SKTOH 2002/11/21				MATERIAL NUMBER		CUSTOMER	
1 PLACE ±		±		DRAFT WHERE APPLICABLE MUST REMAIN WITHIN DIMENSIONS				SEE TABLE		GENERAL MARKET	
0 PLACES ±		±		THIRD ANGLE PROJECTION				DRAWING		SHEET NUMBER	
ANGULAR TOL ± 3.0°				A3-SIZE				SERIES		87633	


PART NUMBER	P-S-P CONFIGURATION			RECESSED POWER CIRCUIT#	DIMENSIONS								BOARDLOCK OPTION 	PACKAGING
	POWER BETA	SIGNAL	POWER ALPHA		A	B	C	D	E	F	G	H		
87633-1000	5	24	3	NIL	$\frac{82.54}{3.250}$	$\frac{74.93}{2.950}$	$\frac{73.65}{2.900}$	$\frac{59.69}{2.350}$	$\frac{27.94}{1.100}$	$\frac{12.70}{.500}$	$\frac{15.24}{.600}$	$\frac{3.43}{.135}$	NIL	TRAY
87633-1011	7	32	6	NIL	$\frac{119.38}{4.700}$	$\frac{111.76}{4.400}$	$\frac{110.48}{4.350}$	$\frac{96.52}{3.800}$	$\frac{40.64}{1.600}$	$\frac{17.78}{.700}$	$\frac{34.29}{1.350}$	$\frac{3.43}{.135}$	NIL	
87633-1026	4	48	4	NIL	$\frac{97.79}{3.850}$	$\frac{90.17}{3.550}$	$\frac{88.90}{3.500}$	$\frac{74.93}{2.950}$	$\frac{21.59}{0.850}$	$\frac{27.94}{1.100}$	$\frac{21.59}{0.850}$	$\frac{3.43}{.135}$	YES	



BOARDLOCK OPTION



ISOMETRIC VIEW

THIS DRAWING CONTAINS INFORMATION THAT IS PROPRIETARY TO MOLEX ELECTRONIC TECHNOLOGIES, LLC AND SHOULD NOT BE USED WITHOUT WRITTEN PERMISSION											
DIMENSION UNITS		SCALE		CURRENT REV DESC: OBSOLETE PART NO							
MM/IN		NTS									
GENERAL TOLERANCES (UNLESS SPECIFIED)				EC NO: 618848				POWER CONN. RECEPTACLE			
				DRWN: AKUMAR19 2018/07/16				P-S-P CONFIGURATION VERT. PRESS-FIT, W/G POST			
4 PLACES ±				CHK'D: GGA 2019/09/05				PRODUCT CUSTOMER DRAWING			
3 PLACES ±				APPR: GGA 2019/09/05							
2 PLACES ± 0.25				INITIAL REVISION:				DOCUMENT NUMBER			
1 PLACE ±				DRWN: KMG0H 2002/11/19				SD-87633-013			
0 PLACES ±				APPR: SKTOH 2002/11/21				PSD 001 E			
ANGULAR TOL ± 3.0°				DRAFT WHERE APPLICABLE MUST REMAIN WITHIN DIMENSIONS				THIRD ANGLE PROJECTION			
DRAWING		SERIES		MATERIAL NUMBER		CUSTOMER		SHEET NUMBER			
A3-SIZE		87633		SEE TABLE		GENERAL MARKET		3 OF 3			