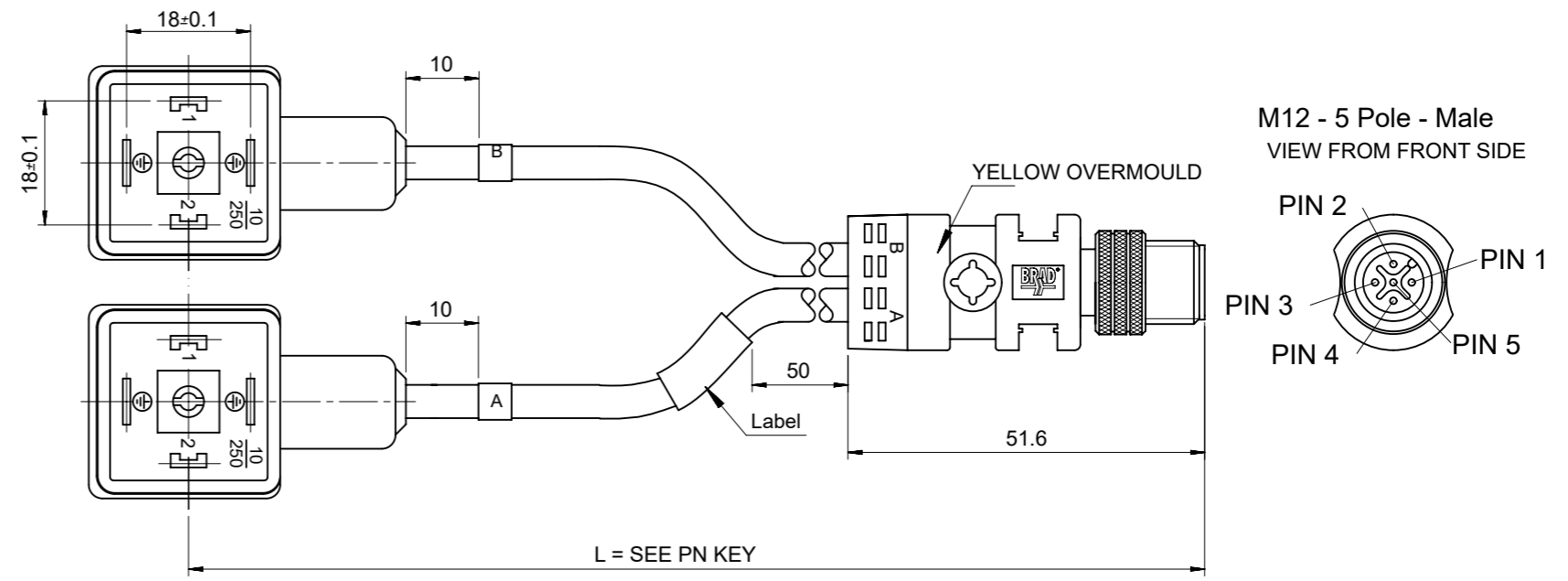
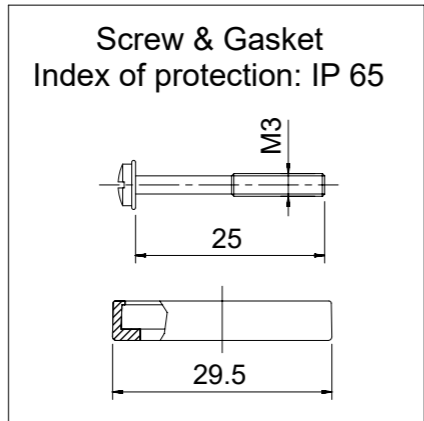
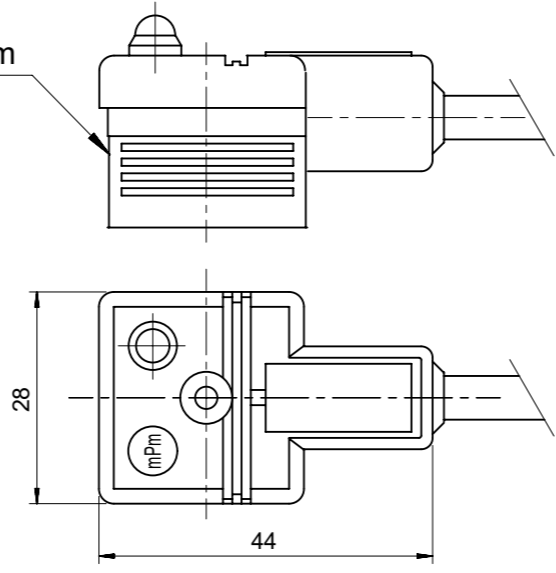


Table of length tolerances

| Over | Up to and including | Tolerance (+) |
|-------|---------------------|---------------|
| 0 | 305 | +19 |
| 305 | 915 | +45 |
| 915 | 1830 | +56 |
| 1830 | 3660 | +89 |
| 3660 | 7320 | +165 |
| 7320 | 14640 | +317 |
| 14640 | 30500 | +610 |
| 30500 | > | +2% of length |



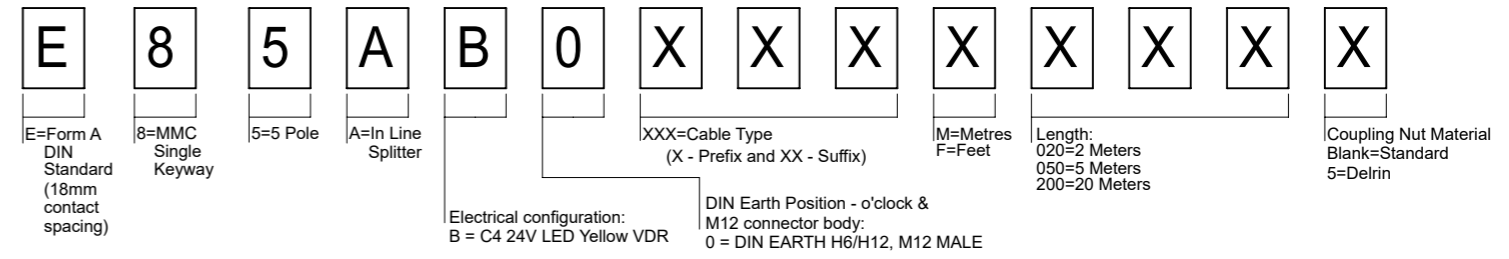
Electrical diagram printed in white



PN's List

| Engineering number | SAP Part Number | Cable Length [mm] | Cable type |
|--------------------|-----------------|-------------------|------------------------------|
| E85AB0P12M006 | 1210360377 | 600 | PUR Black 0.5mm ² |
| E85AB0P12M020 | 1210360533 | 2000 | PUR Black 0.5mm ² |
| E85AB0P12M010 | 1210360577 | 1000 | PUR Black 0.5mm ² |
| E85AB0E12M006 | 1210360598 | 600 | PVC Black 0.5mm ² |
| E85AB0E12M0155 | 1210360599 | 1500 | PVC Black 0.5mm ² |
| E85AB0P12M0201 | 1210360681 | 2000 | PUR Black 0.5mm ² |
| E85AB0E12M010 | 1210360700 | 1000 | PVC Black 0.5mm ² |
| E85AB0A58M010 | 1210360750 | 1000 | PVC Black 20AWG |
| E85AB0E12M030 | 1210360838 | 3000 | PVC Black 0.5mm ² |

PART No MATRIX - PN KEY



Notes:
1. Dimensions without tolerance are referential.

THIS DRAWING CONTAINS INFORMATION THAT IS PROPRIETARY TO MOLEX ELECTRONIC TECHNOLOGIES, LLC AND SHOULD NOT BE USED WITHOUT WRITTEN PERMISSION

| | | | | | | |
|--|------------|---|--------------------------------|----------------|----------------------------|---|
| DIMENSION UNITS: mm | SCALE: NTS | CURRENT REV DESC: OBSOLETE PART NUMBERS | molex | | | |
| GENERAL TOLERANCES (UNLESS SPECIFIED) | | | | | | E85AB0XXXXXX ILS - 2XDIN-A H6/H12 C4H M12 5P AC MA |
| 4 PLACES ± | | | PRODUCT CUSTOMER DRAWING | | | |
| 3 PLACES ± | | | DOCUMENT NUMBER: SD-121036-013 | | | |
| 2 PLACES ± | | | DOC TYPE: PSD | | | |
| 1 PLACE ± | | | DOC PART: 001 | | | |
| 0 PLACES ± | | | REVISION: B | | | |
| ANGULAR TOL ± ° | | | SHEET NUMBER: 1 OF 1 | | | |
| DRAFT WHERE APPLICABLE MUST REMAIN WITHIN DIMENSIONS | | THIRD ANGLE PROJECTION | DRAWING: A3-SIZE | SERIES: 121036 | MATERIAL NUMBER: SEE TABLE | CUSTOMER: GENERAL MARKET |