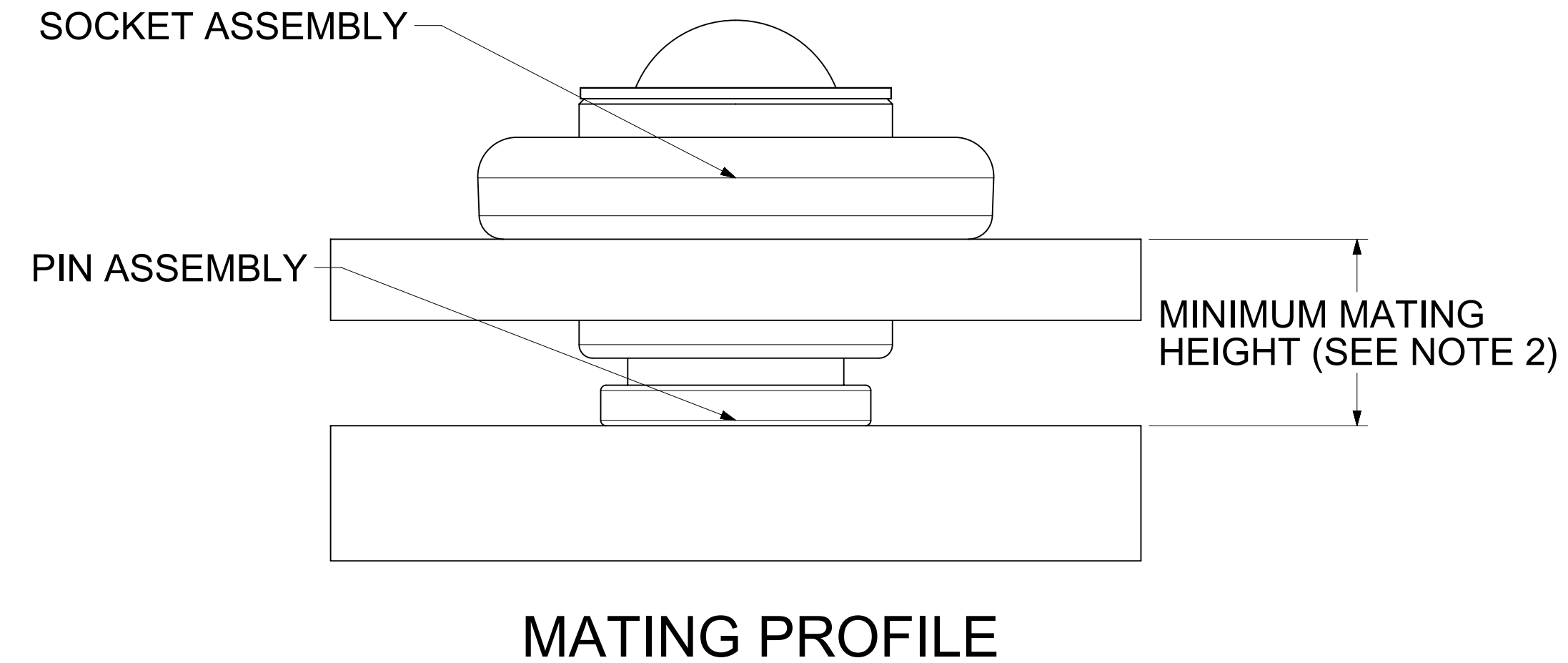
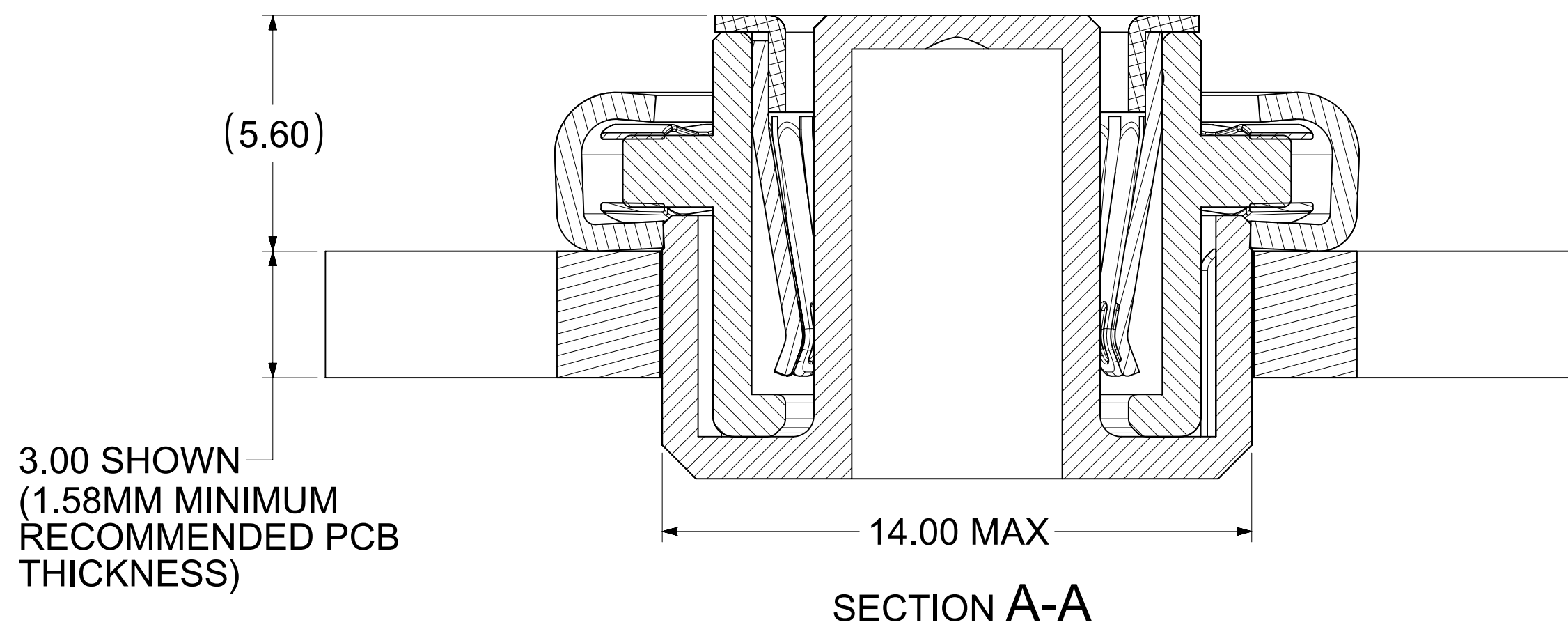
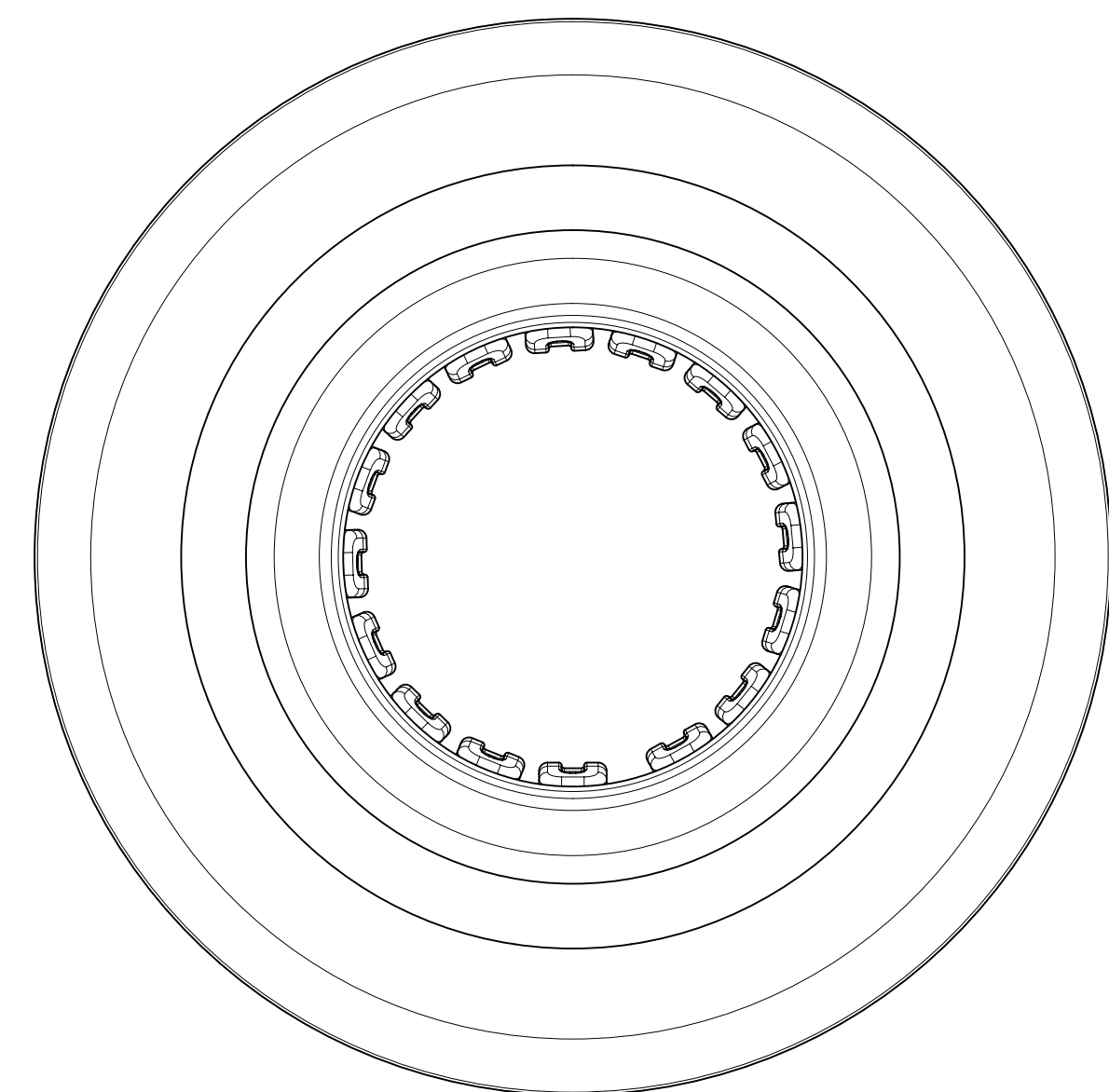
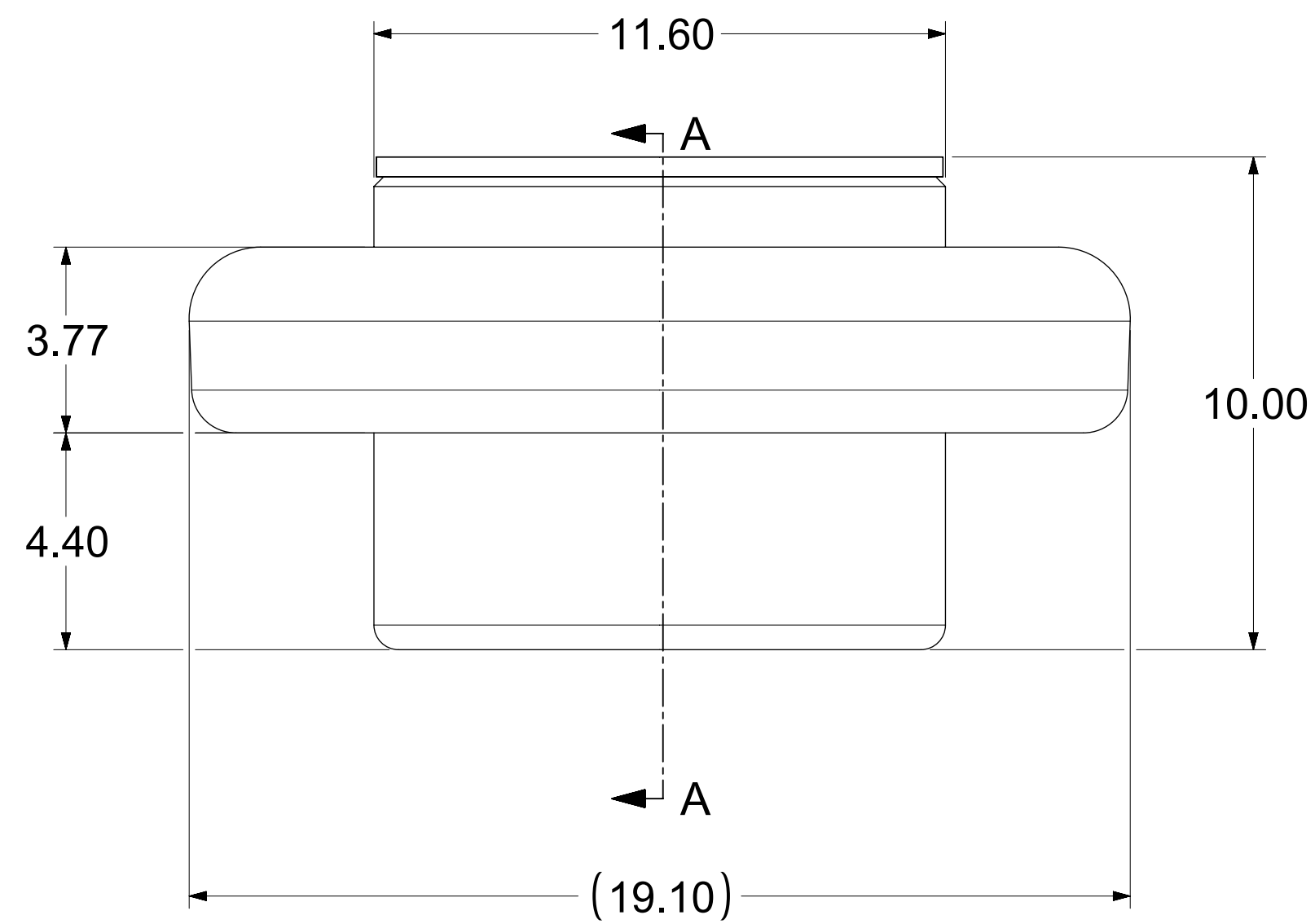
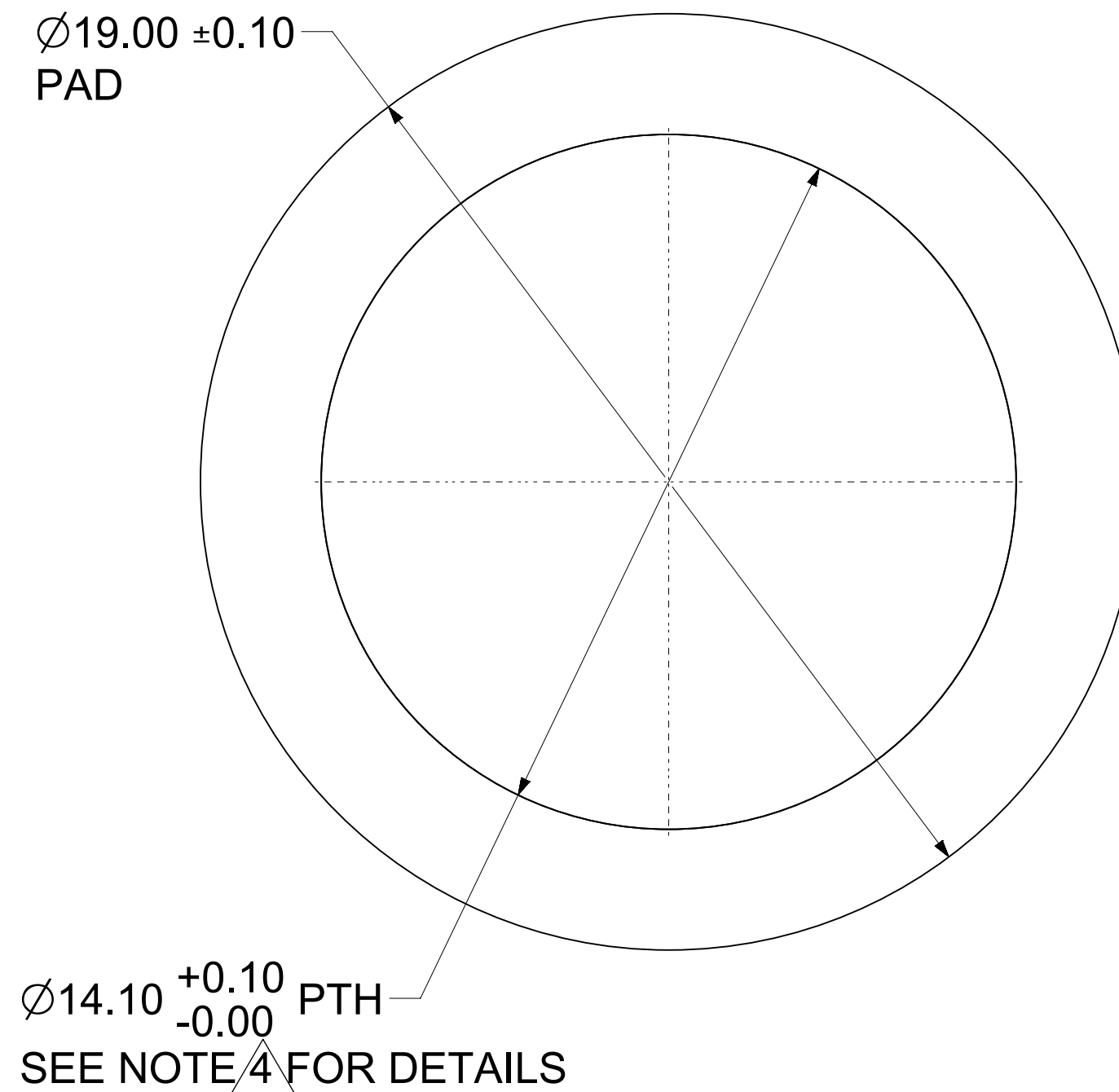


RECOMMENDED PCB LAYOUT



NOTES:

- MATERIALS:**
 PICK AND PLACE CAP: LCP UL94, V-0 COLOR BLACK
 RETENTION CAP: STAINLESS STEEL
 BASE METAL: HIGH CONDUCTIVE COPPER ALLOY
 PLATING ON CONTACTS: 0.75 MICRON MIN GOLD OVER 1.27 MICRON MIN NICKEL
 PLATING ON BODY: 3.18 MICRON MIN SILVER OVER 1.27 MICRON MIN NICKEL
- MATES WITH STANDARD PIN DRAWINGS (MATING DISTANCE BASED ON 1.58MM BOARD THICKNESS):**
 - 8.0MM SMT DRAWING 2032633080-SD, MIN. MATING DISTANCE 6.7MM
 - 8.0MM PRESS FIT DRAWING 2032630001-SD, MIN. MATING DISTANCE 6.9MM
 - 8.0MM SCREW MOUNT DRAWING 2032634185-SD, MIN. MATING DISTANCE 9.9MM
- PRODUCT SPECIFICATION:** 2043130001-PS
- APPLICATION SPECIFICATION:** 2043130001-AS
SEE APPLICATION SPEC FOR SOLDERING INFORMATION.
- PACKAGING SPECIFICATION:** 2043650000-PK
- SILVER COMPONENTS WILL BE SUPPLIED TARNISH FREE BUT MAY TARNISH OVER TIME.**
- PICK AND PLACE CAP TO BE REMOVED AFTER SOLDERING. CAP TO BE PUSHED OUT OF BOTTOM FROM THE TOP.**
- DATE CODE TO BE LASER MARKED APPROXIMATELY WHERE SHOWN USING DDYY FORMAT**

THIS DRAWING CONTAINS INFORMATION THAT IS PROPRIETARY TO MOLEX ELECTRONIC TECHNOLOGIES, LLC AND SHOULD NOT BE USED WITHOUT WRITTEN PERMISSION											
DIMENSION UNITS		SCALE		CURRENT REV DESC: UPDATED THE TITLE BLOCK							
mm		NTS									
GENERAL TOLERANCES (UNLESS SPECIFIED)											
ANGULAR TOL		± 0.5°									
4 PLACES		±		EC NO: 747243		2023/02/28					
3 PLACES		±		DRWN: SACHIK7		2023/04/25					
2 PLACES		± 0.15		CHK'D: SCS02		2023/04/26					
1 PLACE		± 0.25		APPR: HTHYAGARAJ		2023/04/26					
0 PLACES		±		INITIAL REVISION:		2019/10/03					
				DRWN: RLOW		2019/10/04					
				APPR: BPISZCZOR							
DRAFT WHERE APPLICABLE MUST REMAIN WITHIN DIMENSIONS				THIRD ANGLE PROJECTION		DRAWING		SERIES		MATERIAL NUMBER	
				D-SIZE		212195		2121955010		GENERAL MARKET	
										CUSTOMER	
										SHEET NUMBER	
										1 OF 1	