

## 868 MHz RF USB dongle based on the SPSGRF-868 transceiver module



### Features

- Based on SPSGRF-868 module which features:
  - low data rate, low-power, sub-1GHz SPIRIT1 transceiver
  - integrated balun (BALF-SPI-01D3)
  - chip antenna
- On-board STM32L151CBU6A ultra low power ARM® Cortex®-M3 microcontroller
- Modulation schemes: 2-FSK, GFSK, MSK, GMSK, OOK and ASK
- Air data rate: from 1 to 500 kbps
- Fully compliant with the SPIRIT1 development kit firmware and GUI
- Debug connector
- USB interface

### Description

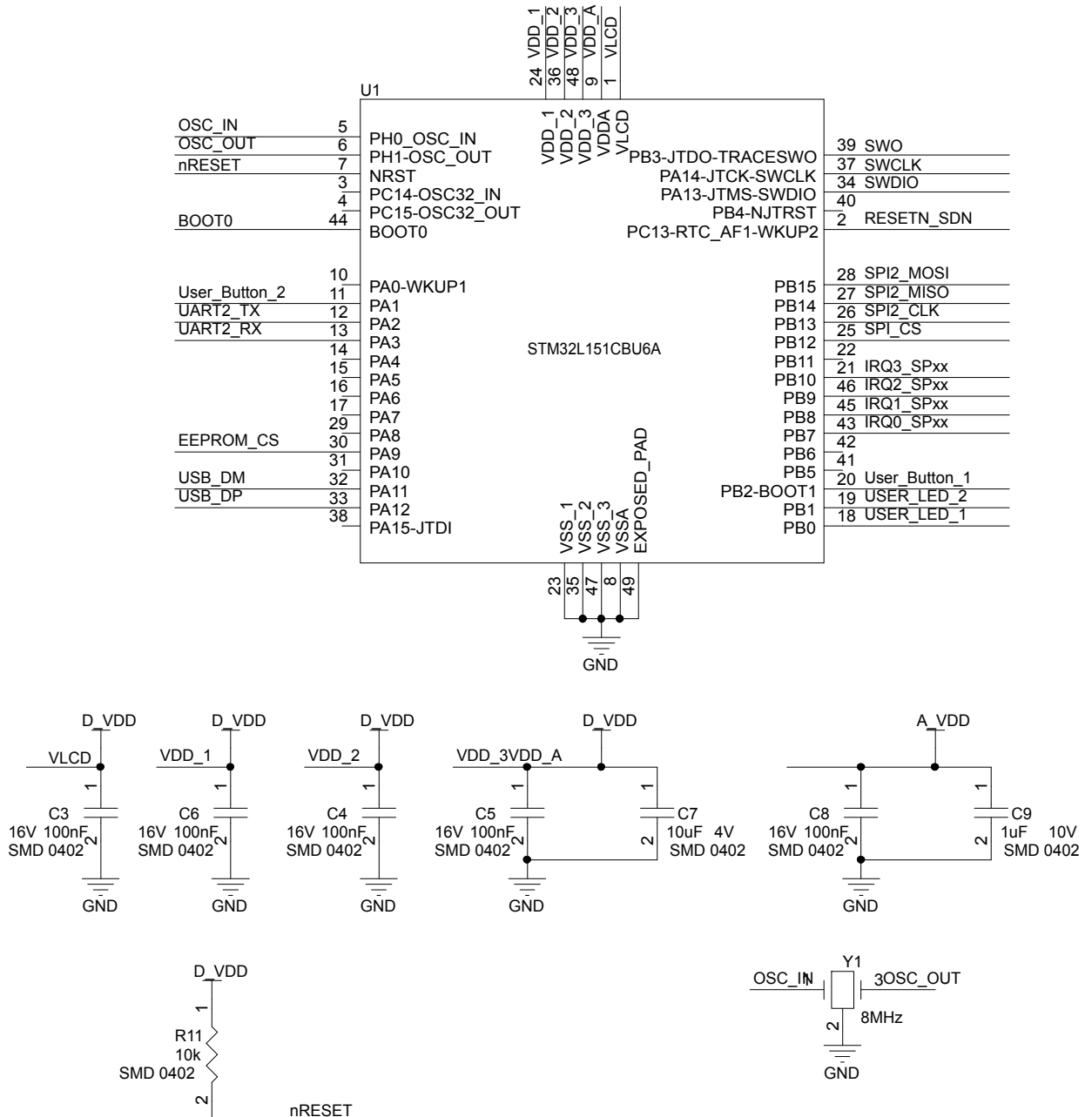
The STEVAL-IDS001V4M evaluation board is based on the SPSGRF-868 CE certified RF module with the SPIRIT1 low-power Sub 1GHz transceiver and embeds the STM32L151CBU6A ultra low-power ARM Cortex-M3 MCU.

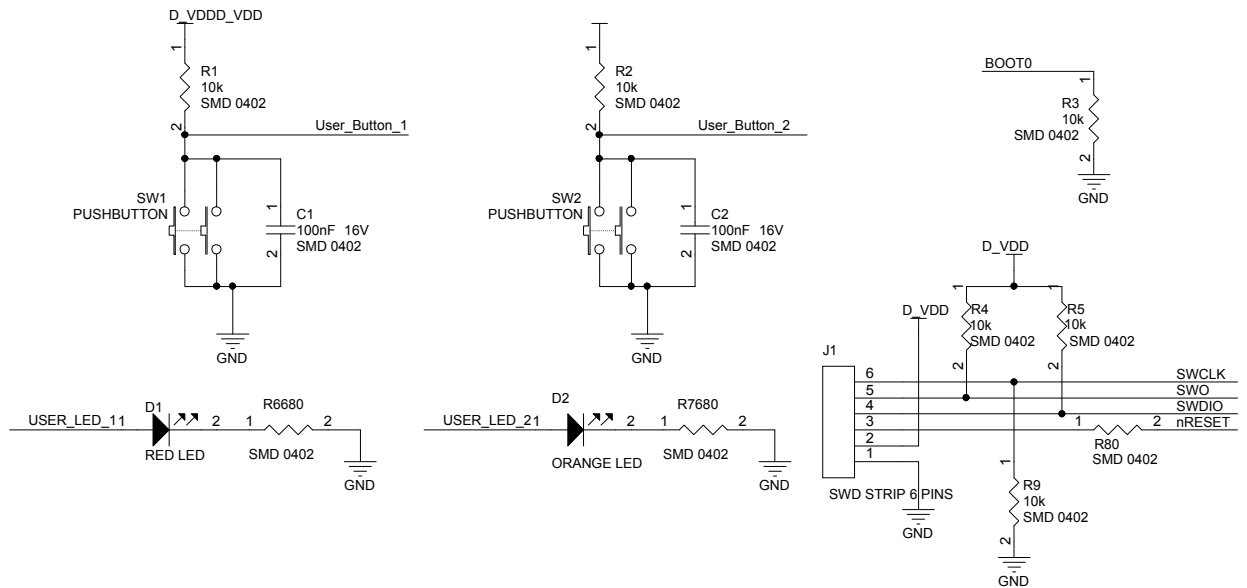
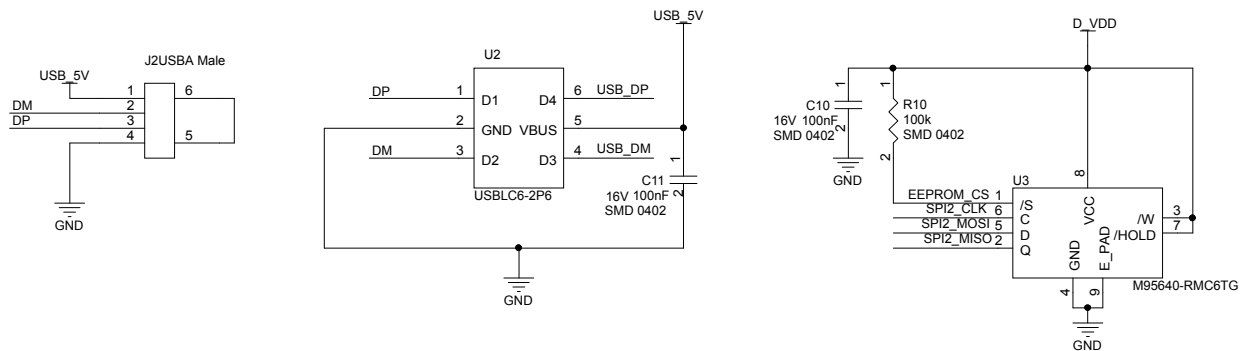
The SPSGRF-868 module integrates the BALF-SPI-01D3 match balun and a chip antenna, and operates in the 868 MHz ISM band.

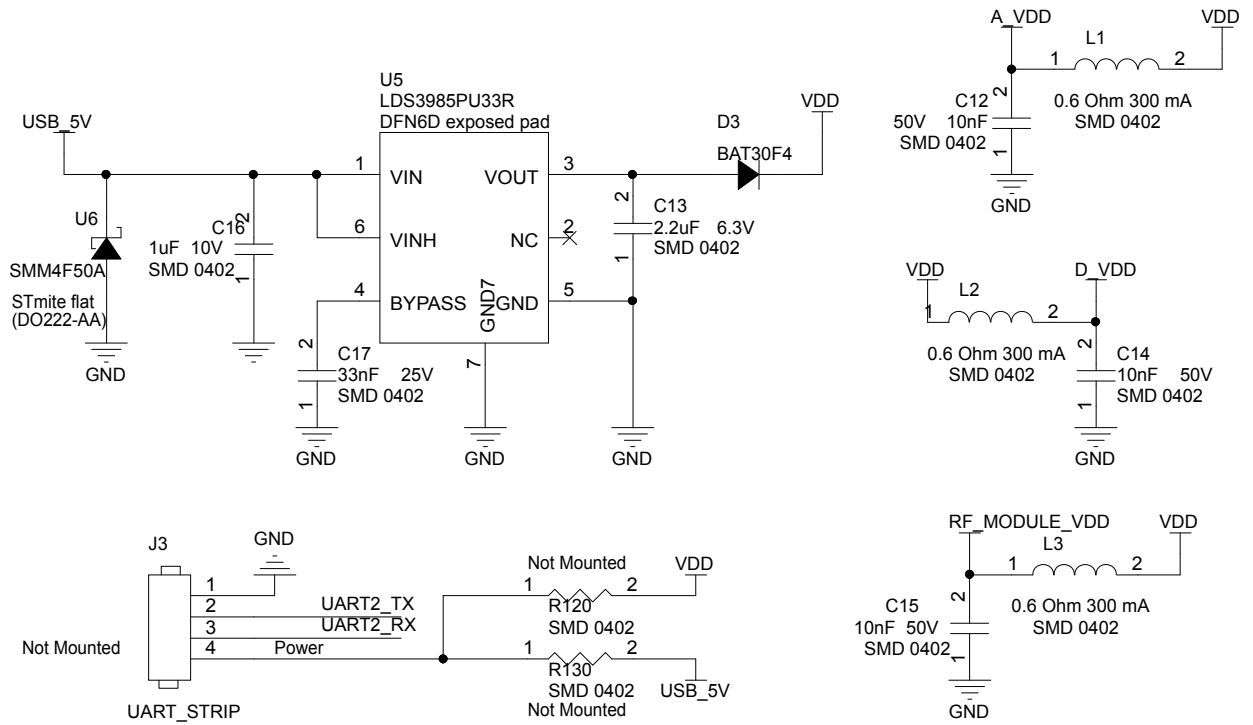
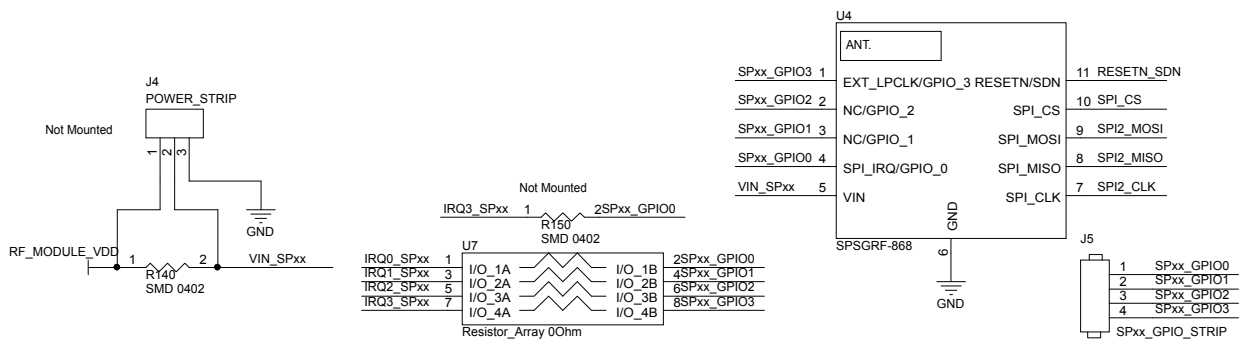
The STEVAL-IDS001V4M evaluation board features a USB connector for PC-GUI interaction and firmware updates, and an SWD connector for specific firmware development.

Product summary	
868 MHz RF USB dongle based on the SPSGRF-868 transceiver module	STEVAL-IDS001V4M
Sub-GHz low power programmable RF transceiver module	SPSGRF-868
Match balun with integrated harmonic filter	BALF-SPI-01D3
Low data rate, low power Sub 1GHz transceiver	SPIRIT1
Ultra-low-power ARM Cortex-M3 MCU	STM32L151CBU6A
Applications	Smart City Smart Home Industrial Tools Wireless connectivity

# 1 Schematic diagrams

**Figure 1. STEVAL-IDS001V4M circuit schematic - MCU oscillator and voltage**


**Figure 2. STEVAL-IDS001V4M circuit schematic - SWD, boot, user LEDs and user buttons**

**Figure 3. STEVAL-IDS001V4M circuit schematic - USB and EEPROM**


**Figure 4. STEVAL-IDS001V4M circuit schematic - power management stage**

**Figure 5. STEVAL-IDS001V4M circuit schematic - RF module**


## Revision history

**Table 1. Document revision history**

Date	Version	Changes
02-Jul-2015	1	Initial release.
20-Apr-2020	2	Updated all document to reflect new MCU (STM32L151C8U6A) and new signal Schottky diode (BAT30F4).

**IMPORTANT NOTICE – PLEASE READ CAREFULLY**

STMicroelectronics NV and its subsidiaries (“ST”) reserve the right to make changes, corrections, enhancements, modifications, and improvements to ST products and/or to this document at any time without notice. Purchasers should obtain the latest relevant information on ST products before placing orders. ST products are sold pursuant to ST’s terms and conditions of sale in place at the time of order acknowledgement.

Purchasers are solely responsible for the choice, selection, and use of ST products and ST assumes no liability for application assistance or the design of Purchasers’ products.

No license, express or implied, to any intellectual property right is granted by ST herein.

Resale of ST products with provisions different from the information set forth herein shall void any warranty granted by ST for such product.

ST and the ST logo are trademarks of ST. For additional information about ST trademarks, please refer to [www.st.com/trademarks](http://www.st.com/trademarks). All other product or service names are the property of their respective owners.

Information in this document supersedes and replaces information previously supplied in any prior versions of this document.

© 2020 STMicroelectronics – All rights reserved