



soberton inc.

# PT PIEZO AUDIO TRANSDUCER

Acoustic Product Specification

Product Number: PT-1704



Release | Revision: D/2018

## CONTENTS

This document contains the technical specifications for the Piezo Audio Transducer.

### Page 1

Specifications

Mechanical Characteristics

### Page 2

Environment Test

Reliability Test

### Page 3

Inspection Fixture

Frequency Response

### Page 4

Dimensions

### Page 5

Packing

## Specifications

Item	Unit	Specification	Condition
Rated Voltage	Vp-p	3.0	
Operating Voltage	Vp-p	20 Max	
Mean Current	mA	3 Max.	At rated voltage
Capacitance at 30Hz	pF	15000±30%	
Sound Output	dB	75	At 10cm at rated voltage.
Rated Frequency	Hz	4000±500	
Operating Temp	°C	-20 ~ +60	
Storage Temp	°C	-30 ~ +70	
Dimension	mm	Ø17.0xH4.0	See attached drawing.
Weight	gram	0.8	
Material		PPO(Black)	
Terminal		Wire Type (Plating Sn)	Wire 85mm (UL1571 / AWG32#)
Environmental Protection Regulation		RoHS	

### Test condition:

Temperature: +25±2°C Related Humidity: 65±5% Air Pressure: 86-106KPa

## Mechanical Characteristics

Item	Test Condition	Evaluation Standard
Solderability	Lead terminals are immersed in rosin for 5 seconds and then immersed in the solder bath at +250±5°C for 3±1 seconds.	90% min. lead terminals shall be wet with solder. (Except the edge of terminal)
Soldering Heat Resistance	Lead terminals are immersed in the soldering bath at +250±5°C for 3±1 seconds.	No interference in operation.
Terminal Mechanical Strength	The pull force shall be applied to double lead wire: Horizontal 3.0N(0.306kg) for 30 seconds. Vertical 2.0N(0.204kg) for 30 seconds.	No damage and cutting off.
Vibration	The buzzer shall be measured after a vibration of amplitude of 1.5mm with 10Hz to 55Hz band of vibration frequency is applied to each of 3 perpendicular directions for 2 hours.	The value of oscillation frequency current consumption should be in ±10% compared with initial ones. The SPL should be in ±10dB compared with initial one.
Drop Test	The part is dropped from a height of 75cm onto a 40mm thick wooden board 3 times in 3 axes (X,Y,Z). A total of 9 times.	



soberton inc.

# PT PIEZO AUDIO TRANSDUCER

Acoustic Product Specification

Product Number: PT-1704



Release | Revision: D/2018

## CONTENTS

This document contains the technical specifications for the Piezo Audio Transducer.

### Page 1

Specifications

Mechanical Characteristics

### Page 2

Environment Test

Reliability Test

### Page 3

Inspection Fixture

Frequency Response

### Page 4

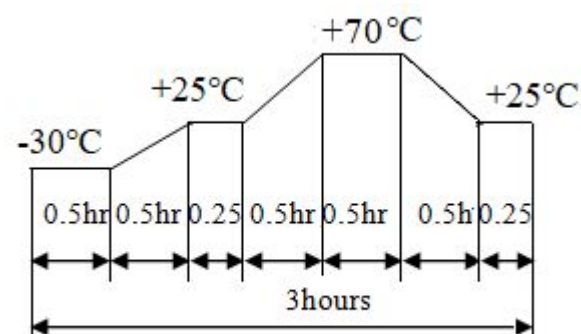
Dimensions

### Page 5

Packing

## Environment Test

Item	Test Condition	Evaluation Standard
High Temp. Test	The part is placed in a chamber at +70°C for 96 hours.	After the test, the part shall meet specifications without any degradation in appearance and performance except SPL. After 4 hours at +25°C ±2°C, the SPL should be in ±10dBA compared with initial one.
Low Temp. Test	The part is placed in a chamber at -30°C for 96 hours.	
Humidity Test	The part is placed in a chamber at +70°C, and 90±5% relative humidity for 96 hours.	
Temp/Humidity Cycle	The part shall be subjected to 5 cycles, Each cycle shall consist of:	



## Reliability Test

Item	Test Condition	Evaluation Standard
Operating Life Test	<b>1. Continuous Life Test</b> 48 hours of continuous operation at +60°C with the maximum rated voltage applied.	After the test, the part shall meet specifications without any degradation in appearance and performance except SPL. After 4 hours at +25°C ±2°C, the SPL should be in ±10dBA compared with initial one.
	<b>2. Intermittent Life Test</b> A duty cycle of 1 minute on, 1 minute off, a minimum of 1000 times at +25±2°C and the maximum rated voltage applied.	

### Standard Test Condition:

- a) Temperature: +5~+35°C
- b) Humidity: 45~85%
- c) Pressure: 86~106KPa



soberton inc.

# PT PIEZO AUDIO TRANSDUCER

Acoustic Product Specification

Product Number: PT-1704



Release | Revision: D/2018

## CONTENTS

This document contains the technical specifications for the Piezo Audio Transducer.

### Page 1

Specifications

Mechanical Characteristics

### Page 2

Environment Test

Reliability Test

### Page 3

Inspection Fixture

Frequency Response

### Page 4

Dimensions

### Page 5

Packing

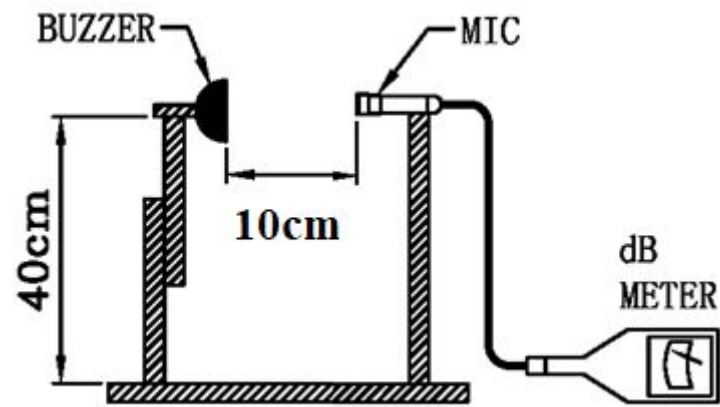
## Inspection Fixture

### S.P.L Measuring Circuit

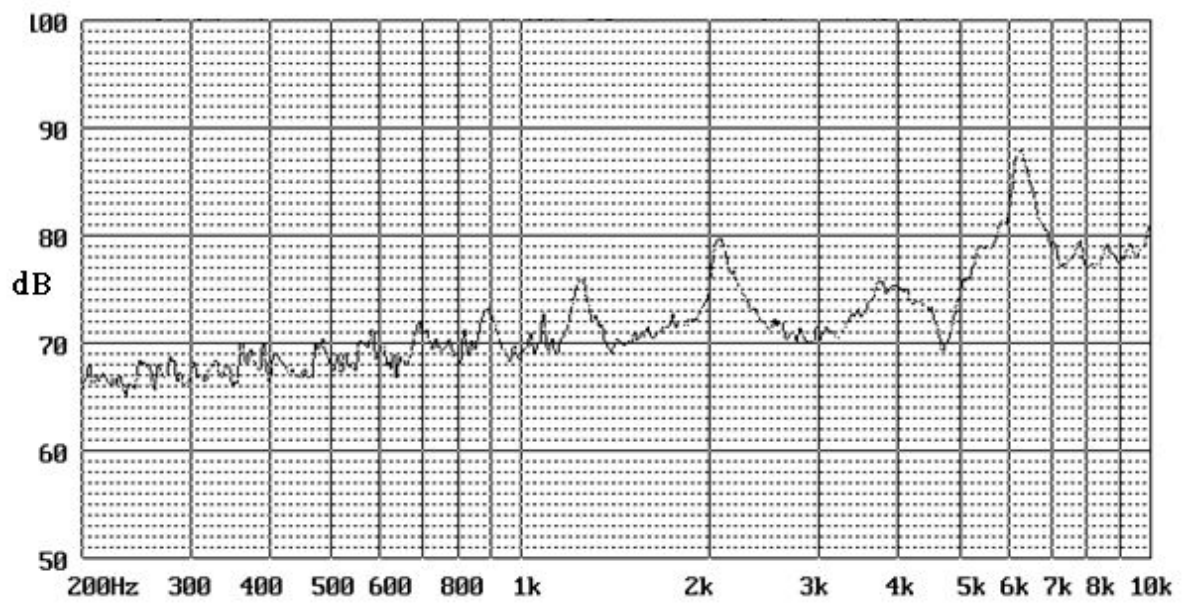
Input Signal: 3.0 Vp-p , square wave , 4000Hz

MIC: S.P.L meter TES1351B or equivalent

S.G: Hewlett Packard 33120A Function Generator or equivalent



## Frequency Response



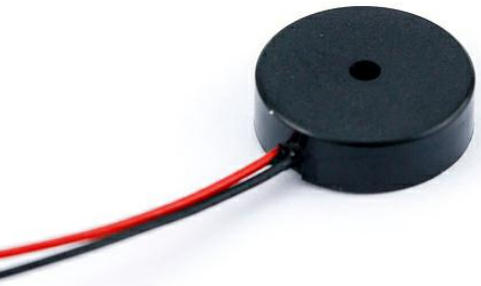


soberton inc.

# PT PIEZO AUDIO TRANSDUCER

Acoustic Product Specification

Product Number: PT-1704



Release | Revision: D/2018

## CONTENTS

This document contains the technical specifications for the Piezo Audio Transducer.

### Page 1

Specifications

Mechanical Characteristics

### Page 2

Environment Test

Reliability Test

### Page 3

Inspection Fixture

Frequency Response

### Page 4

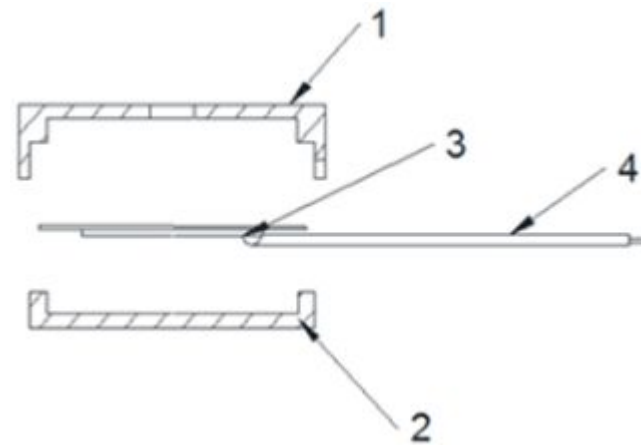
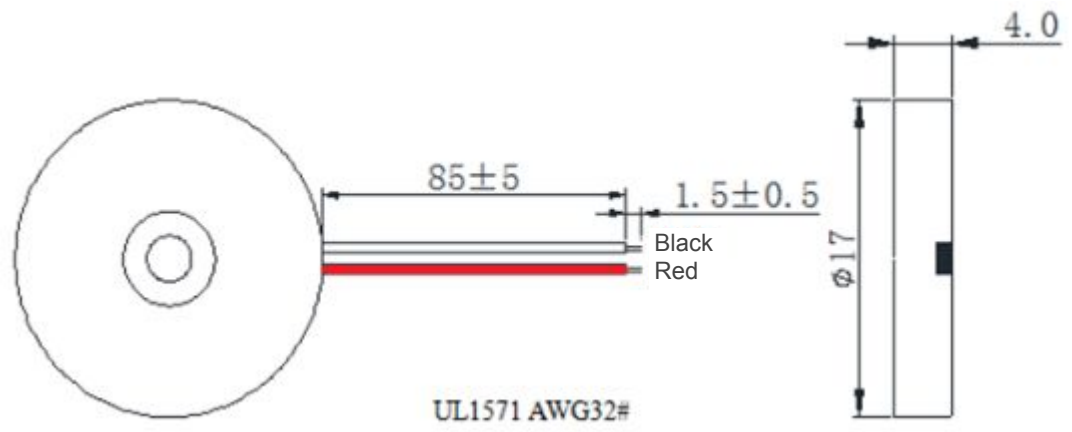
Dimensions

### Page 5

Packing

## Dimensions

Tolerance:  $\pm 0.5$  (unit: mm)



No.	Part Name	Material	Quantity
1	Case	PPO	1
2	Case	PPO	1
3	Piezo	Copper + Ceramics	1
4	Wire (85mm)	UL 1571 / AWG32# (30V $\phi$ 0.5mm)	2



soberton inc.

# PT PIEZO AUDIO TRANSDUCER

Acoustic Product Specification

Product Number: PT-1704



Release | Revision: D/2018

## CONTENTS

This document contains the technical specifications for the Piezo Audio Transducer.

### Page 1

Specifications

Mechanical Characteristics

### Page 2

Environment Test

Reliability Test

### Page 3

Inspection Fixture

Frequency Response

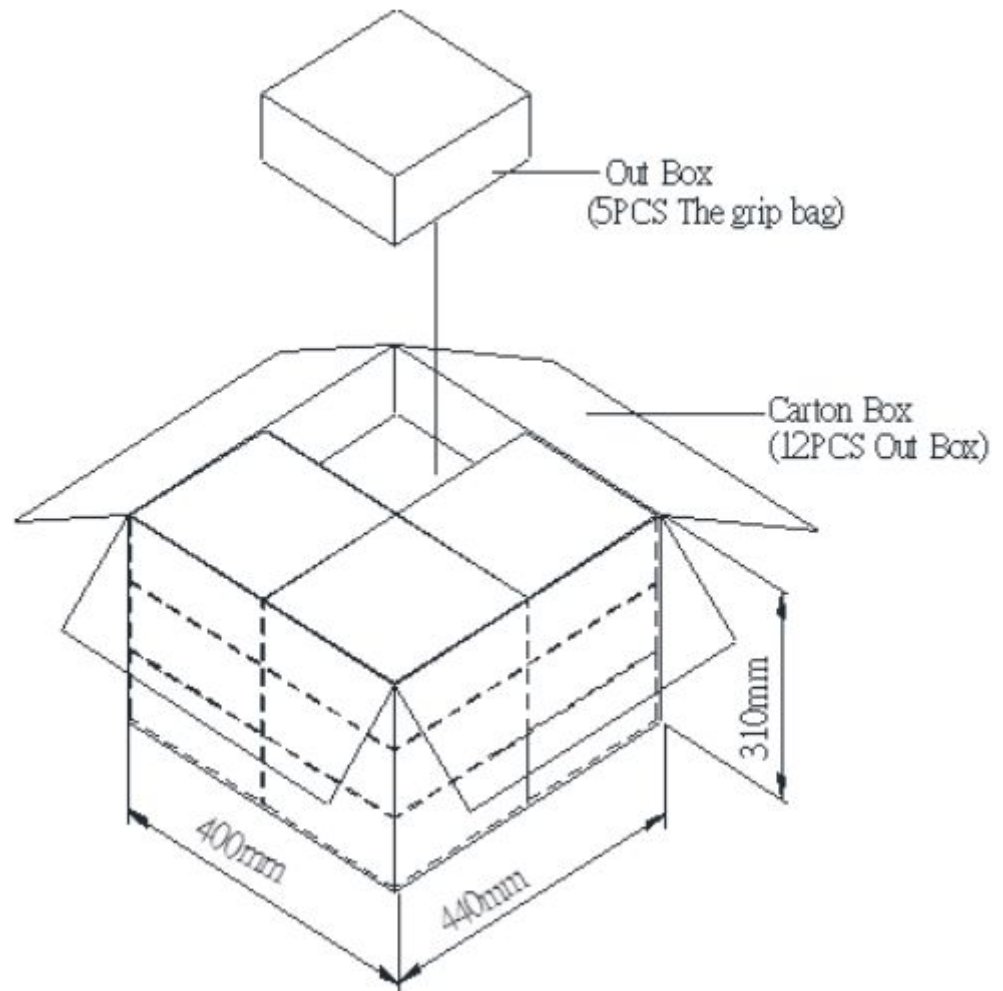
### Page 4

Dimensions

### Page 5

Packing

## Packing



Packing Box	L x W x H (mm)	Quantity (pcs)
Plastic Bag	170 x 120 x 0.1	200
Out Box	210 x 190 x 100	1,000
Carton	440 x 400 x 310	12,000