

60384-1 ✓ ACTIVE

AMPLIVAR

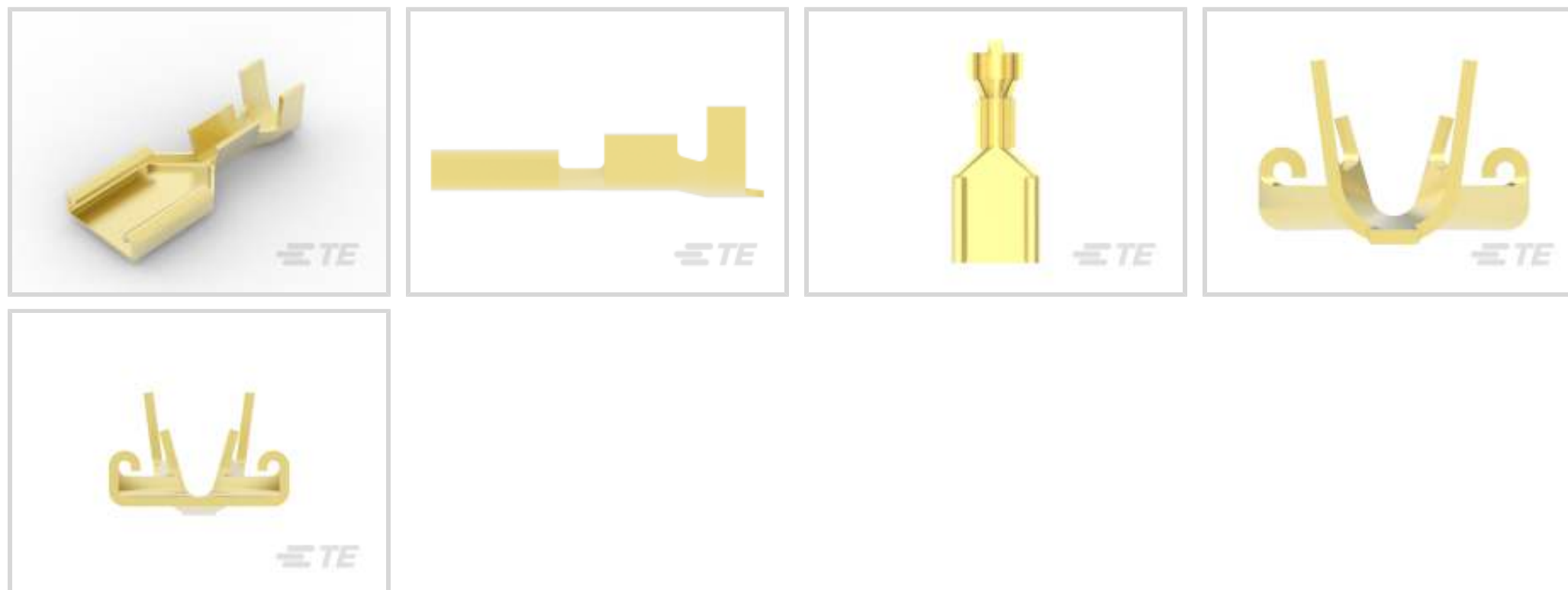
TE Internal #: 60384-1

Quick Disconnects, Receptacle, 20 – 16 AWG Wire Size, .51 – 1.31 mm² Wire Size, 1000 – 3000 CMA Wire Size, Mating Tab Width 6.35 mm [.25 in], AMPLIVAR

[View on TE.com >](#)



Terminals & Splices > Quick Disconnects



Quick Disconnect Terminal Type: **Receptacle**

Wire Size: **1000 – 3000 CMA**

Mating Tab Width: **6.35 mm [.25 in]**

Features

Product Type Features

Compatible With Discrete Wire Type	Magnet Wire
Insertion Force	Low

Configuration Features

Connection Capacity	Single
---------------------	--------

Contact Features

Quick Disconnect Terminal Type	Receptacle
Mating Tab Width	6.35 mm [.25 in]
Mating Tab Thickness	.81 mm [.032 in]
Terminal Orientation	Straight
Contact Base Material	Brass
Terminal Plating Material	Unplated
Crimp Type	F-Crimp
Barrel Type	Open

Termination Features

Product Terminates To	Wire & Cable
-----------------------	--------------



Mechanical Attachment

Wire Insulation Support	Without
Mating Retention Type	Dimple

Dimensions

Terminal Material Thickness	.4 mm[.016 in]
Product Length	17.53 mm[.69 in]
Compatible Insulation Diameter Range	2.54 – 3.56 mm[.1 – .14 in]
Wire Size	1000 – 3000 CMA

Usage Conditions

Insulation Option	Uninsulated
-------------------	-------------

Industry Standards

Agency/Standard	CSA, UL
-----------------	---------

Packaging Features

Packaging Quantity	12000
Packaging Method	Reel

Product Compliance

[For compliance documentation, visit the product page on TE.com>](#)

EU RoHS Directive 2011/65/EU	Compliant
EU ELV Directive 2000/53/EC	Compliant
China RoHS 2 Directive MIIT Order No 32, 2016	No Restricted Materials Above Threshold
EU REACH Regulation (EC) No. 1907/2006	Current ECHA Candidate List: JUNE 2023 (235) Candidate List Declared Against: JAN 2023 (233) Does not contain REACH SVHC
Halogen Content	Low Halogen - Br, Cl, F, I < 900 ppm per homogenous material. Also BFR/CFR/PVC Free
Solder Process Capability	Not applicable for solder process capability

Product Compliance Disclaimer

This information is provided based on reasonable inquiry of our suppliers and represents our current actual knowledge based on the information they provided. This information is subject to change. The part numbers that TE has identified as EU RoHS compliant have a maximum concentration of 0.1% by weight in homogenous materials for lead, hexavalent chromium, mercury, PBB, PBDE, DBP, BBP, DEHP, DIBP, and 0.01% for cadmium, or qualify for an exemption to these limits as defined in the Annexes of Directive 2011/65/EU (RoHS2). Finished electrical and electronic equipment products will be CE marked as required by Directive 2011/65/EU. Components may not be CE marked. Additionally, the part

numbers that TE has identified as EU ELV compliant have a maximum concentration of 0.1% by weight in homogenous materials for lead, hexavalent chromium, and mercury, and 0.01% for cadmium, or qualify for an exemption to these limits as defined in the Annexes of Directive 2000/53/EC (ELV). Regarding the REACH Regulation, the information TE provides on SVHC in articles for this part number is based on the latest European Chemicals Agency (ECHA) 'Guidance on requirements for substances in articles' posted at this URL: <https://echa.europa.eu/guidance-documents/guidance-on-reach>

Compatible Parts

 <p>TE Part # 63622-1 RCPT AMVAR 250 FAST LIF 016BR</p>	 <p>TE Part # 63623-1 RCPT AMVAR 250 FAST LIF 016BR</p>	 <p>TE Part # 2150720-1 OC-AT-E-FM-090F155F-001-0053</p>	 <p>TE Part # 63497-1 AMPLIVAR TAB 032 TPBR</p>
 <p>TE Part # 63165-1 250 AMVAR FAST TAB 032TPBR</p>	 <p>TE Part # 60385-2 .250 FAST REC IS 18-2/17 TPBR</p>	 <p>TE Part # 1742678-2 187 RCPT FAST AMVR 0157TPPB</p>	 <p>TE Part # 62922-1 250 FAST TAB AMVAR 032TPBR</p>
 <p>TE Part # 1-969049-1 AMPLIVAR STATOR BUCHS</p>	 <p>TE Part # 1217835-1 RECP AMVAR 250 FAST 016BR</p>	 <p>TE Part # 2-2150720-1 OC-PA-E-FM-090F155F-001-0053</p>	 <p>TE Part # 2-2150720-2 OC-PA-E-FA-090F155F-001-0053</p>
 <p>TE Part # 2150720-2 OC-AT-E-FA-090F155F-001-0053</p>	 <p>TE Part # 62069-1 250 AMVAR FAS REC 23 19 MAG BR</p>	 <p>TE Part # 62091-2 250 FLG FAST RCPT 18-12 PTPBR</p>	 <p>TE Part # 63480-1 RCPT STATOR 27-22 0173PTPBR</p>



TE Part # 63497-2
AMPLIVAR TAB 032 TPBR



TE Part # 63623-2
RCPT AMVAR 250FAST LIF 016TPBR



TE Part # 7-2150720-7
OC-090F155F -CRIMPTOOLINGKIT

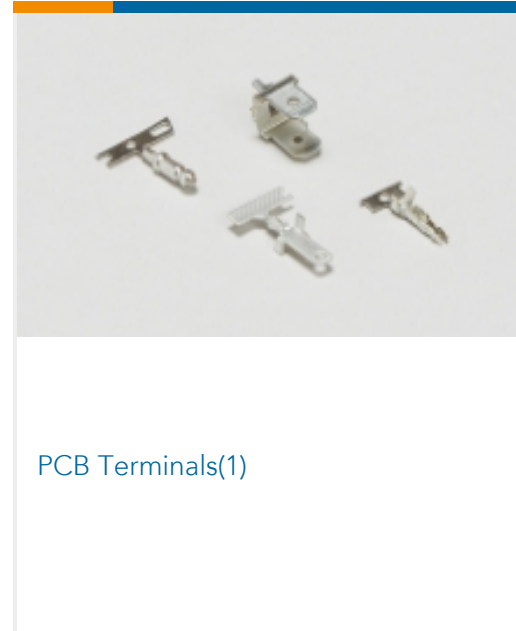
Also in the Series | **AMPLIVAR**



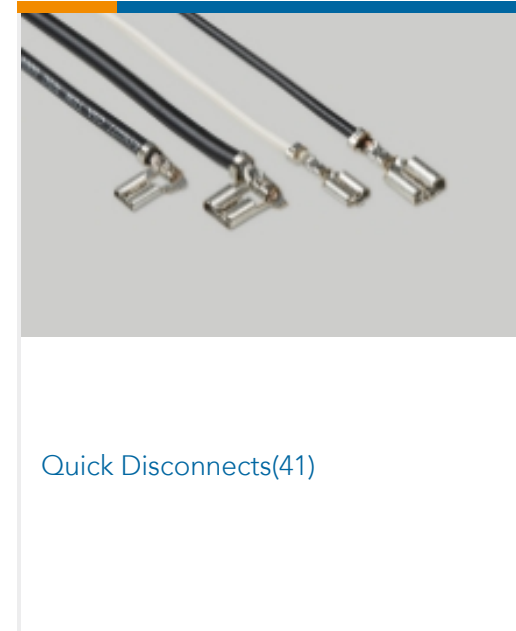
Crimp Wire Pins, Tabs & Ferrules(5)



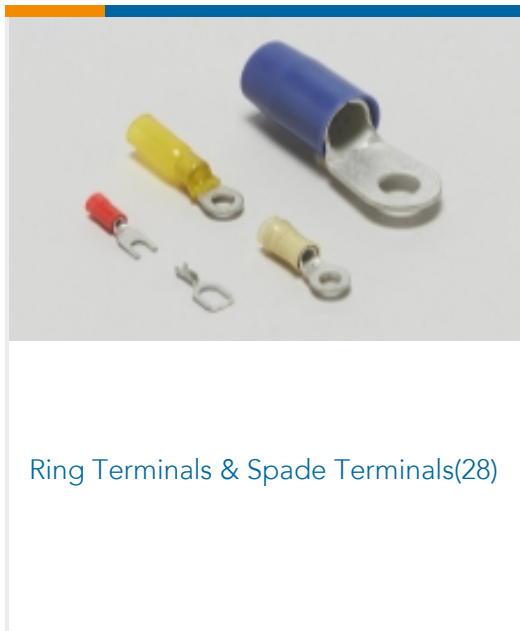
Magnet Wire Terminals(4)



PCB Terminals(1)



Quick Disconnects(41)



Ring Terminals & Spade Terminals(28)

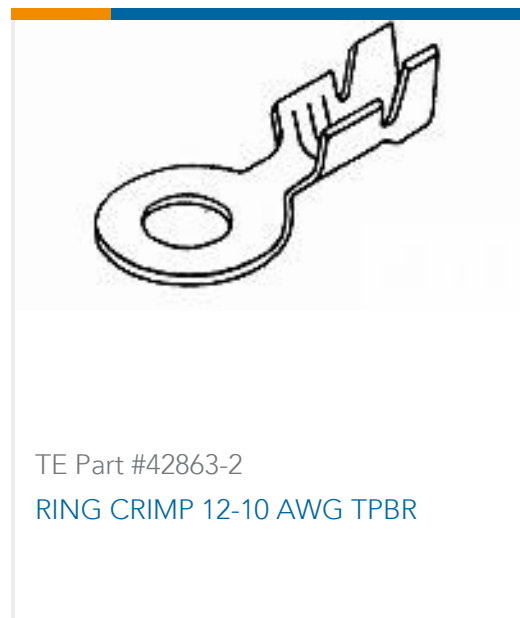


Splices(77)

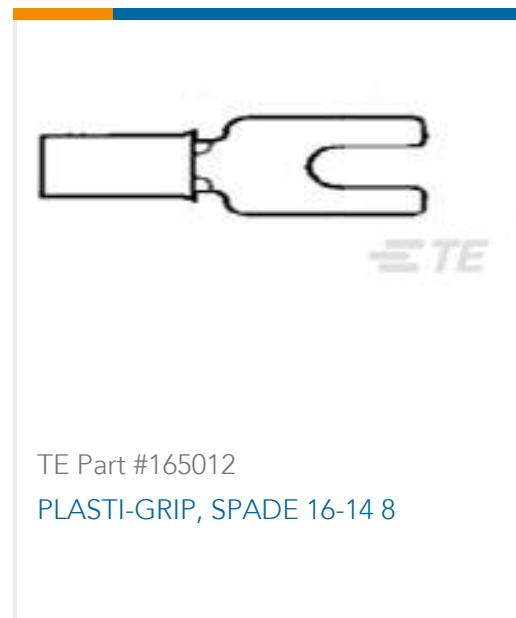
Customers Also Bought



TE Part #102387-7
30 MODIV HSG COMP DR .100 POL



TE Part #42863-2
RING CRIMP 12-10 AWG TPBR



TE Part #165012
PLASTI-GRIP, SPADE 16-14 8



TE Part #52291-4
TERMINAL R PG 8 5/16



TE Part #1-480699-0
02P UMNL CAP HSG NATL



TE Part #63622-1
RCPT AMVAR 250 FAST LIF 016BR



TE Part #63596-1
187 FASTON REC 18-14 AWG BR



TE Part #2-520128-2
ULTRA-FAST 250 ASY REC 22-18 AWG TPBR



Documents

Product Drawings

[.250 FAST REC IS 1000 BR](#)

English

CAD Files

[3D PDF](#)

3D

Customer View Model

[ENG_CVM_CVM_60384-1_Z.2d_dxf.zip](#)

English

Customer View Model

[ENG_CVM_CVM_60384-1_Z.3d_igs.zip](#)

English

Customer View Model

[ENG_CVM_CVM_60384-1_Z.3d_stp.zip](#)

English

By downloading the CAD file I accept and agree to the [Terms and Conditions](#) of use.

Datasheets & Catalog Pages

[82004 FASTON Terminals \(Insulated and Uninsulated\) Catalog - FASTON Receptacles Section](#)

English

Product Specifications

[Application Specification](#)

English

Product Environmental Compliance

[Product Compliance](#)

English

[Product Compliance](#)

English

Agency Approvals

[CSA Certificate](#)

English

[CSA Certificate](#)



English