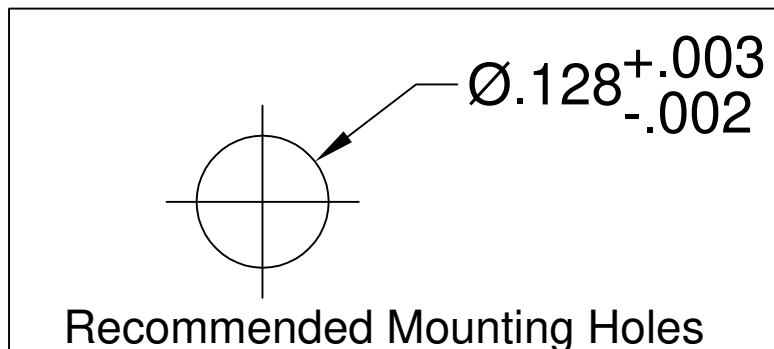
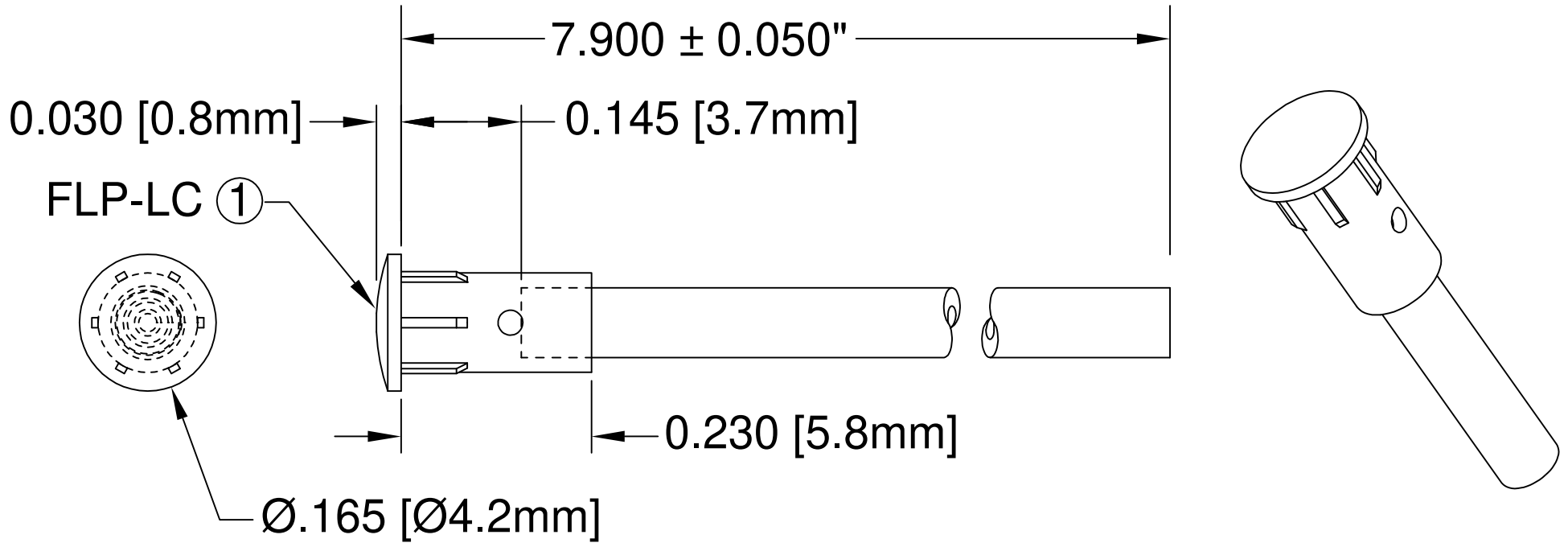


ITEM	QTY	PART NUMBER	PART DESCRIPTION
1	1	FLP-LC	HOLDER CAP, FLEXIBLE LIGHT-PIPE
2	1	FLPC-7.755	LIGHT PIPE CABLE, CUT LENGTH IN INCHES

REV.	DESCRIPTION	DATE	APPROVED
A	Engineering Release.	06/15/05	M. C.



STANDARD TOLERANCE (UNLESS OTHERWISE SPECIFIED)		BIVAR®	
DECIMALS	ANGULAR	4 THOMAS, IRVINE, CA. 92618	
.X $\pm .1$	X° $\pm 1^\circ$	TEL: (949) 951-8808 FAX: (949) 951-3974	
.XX $\pm .02$		TITLE: LENS CAP / FLP ASSEMBLY, 4mm ROUND	
.XXX $\pm .010$		PART NO: LC-7.9	REVISION: A
DESIGNED: Ty Yin	DATE: 06/15/05	CAGE CODE : 32559	SHEET # 1 OF 1
CHECKED: M. Chen	DATE: 06/15/05	CAD GENERATED DOCUMENT, DO NOT MEASURE DRAWING.	