

5-160555-2 ✓ ACTIVE

FASTON | FASTON 110

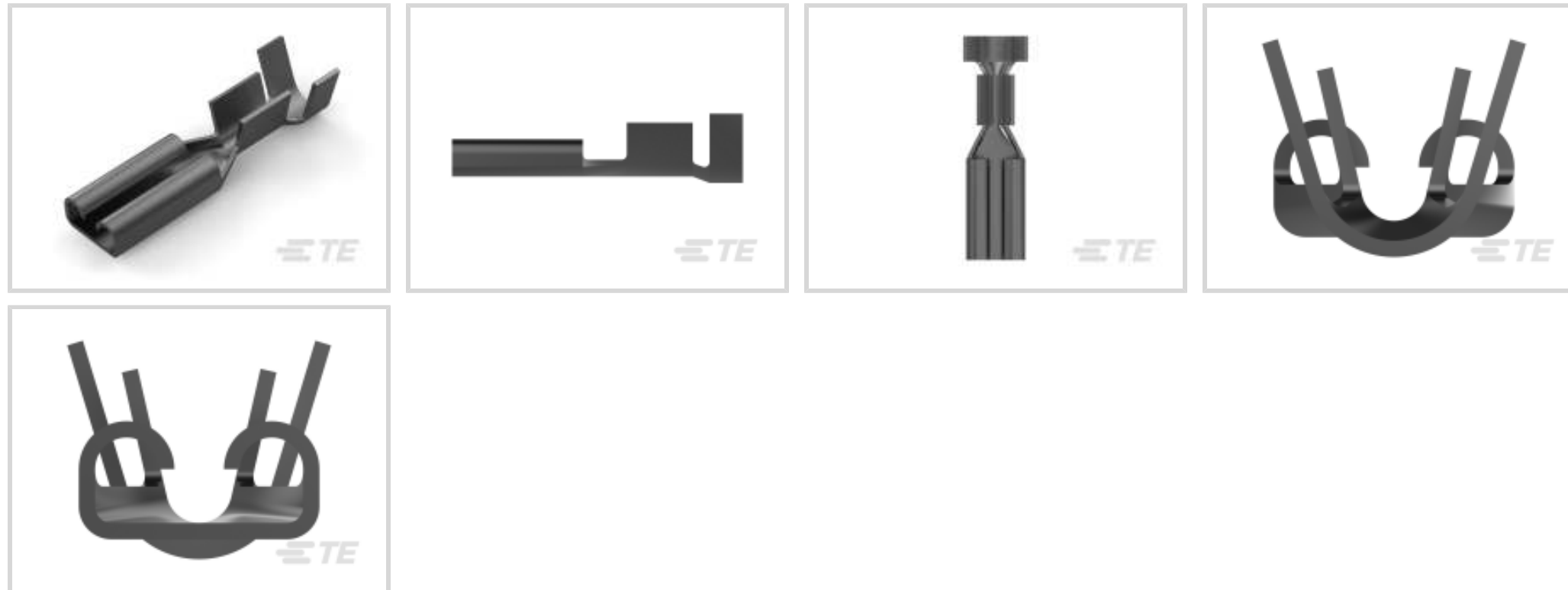
TE Internal #: 5-160555-2

Quick Disconnects, Receptacle, 20 – 18 AWG Wire Size, .51 – 1.03 mm² Wire Size, Mating Tab Width 2.8 mm [.11 in], Straight, Brass, FASTON 110

[View on TE.com >](#)



Terminals & Splices > Quick Disconnects



Quick Disconnect Terminal Type: **Receptacle**

Wire Size: .51 – 1.03 mm²

Mating Tab Width: 2.8 mm [.11 in]

Mating Tab Thickness: .81 mm [.032 in]

Features

Product Type Features

Insertion Force	Normal
-----------------	--------

Configuration Features

Connection Capacity	Single
---------------------	--------

Compatible With Wire & Cable Type	Discrete Wire
-----------------------------------	---------------

Contact Features

Quick Disconnect Terminal Type	Receptacle
--------------------------------	------------

Mating Tab Width	2.8 mm [.11 in]
------------------	-----------------

Mating Tab Thickness	.81 mm [.032 in]
----------------------	------------------

Terminal Orientation	Straight
----------------------	----------

Contact Base Material	Brass
-----------------------	-------

Terminal Plating Material	Tin
---------------------------	-----

Crimp Type	F-Crimp
------------	---------

Barrel Type	Open
-------------	------

Termination Features



Product Terminates To	Wire & Cable
-----------------------	--------------

Mechanical Attachment

Wire Insulation Support	With
-------------------------	------

Mating Retention Type	Dimple
-----------------------	--------

Dimensions

Terminal Material Thickness	.25 mm[.01 in]
-----------------------------	----------------

Product Length	14 mm[.551 in]
----------------	----------------

Compatible Insulation Diameter Range	2.03 – 3 mm[.08 – .118 in]
--------------------------------------	----------------------------

Wire Size	.51 – 1.03 mm ²
-----------	----------------------------

Usage Conditions

Insulation Option	Uninsulated
-------------------	-------------

Operating Temperature Range	-40 – 110 °C[-40 – 230 °F]
-----------------------------	----------------------------

Industry Standards

Agency/Standard	CSA, UL
-----------------	---------

Packaging Features

Packaging Quantity	10000
--------------------	-------

Packaging Method	Strip/Reel
------------------	------------

Other

Terminals & Splices Comment	Chamfered
-----------------------------	-----------

Product Compliance

[For compliance documentation, visit the product page on TE.com>](#)

EU RoHS Directive 2011/65/EU	Compliant
------------------------------	-----------

EU ELV Directive 2000/53/EC	Compliant
-----------------------------	-----------

China RoHS 2 Directive MIIT Order No 32, 2016	No Restricted Materials Above Threshold
---	---

EU REACH Regulation (EC) No. 1907/2006	Current ECHA Candidate List: JUNE 2023 (235) Candidate List Declared Against: JUNE 2023 (235) Does not contain REACH SVHC
--	---

Halogen Content	Low Halogen - Br, Cl, F, I < 900 ppm per homogenous material. Also BFR/CFR/PVC Free
-----------------	---

Solder Process Capability	Not applicable for solder process capability
---------------------------	--

Product Compliance Disclaimer

This information is provided based on reasonable inquiry of our suppliers and represents our current actual knowledge based on the information they provided. This information is subject to change. The part numbers that TE has identified as EU RoHS compliant have a maximum concentration of 0.1% by weight in homogenous materials for lead, hexavalent chromium, mercury, PBB, PBDE, DBP, BBP, DEHP, DIBP, and 0.01% for cadmium, or qualify for an exemption to these limits as defined in the Annexes of Directive 2011/65/EU (RoHS2). Finished electrical and electronic equipment products will be CE marked as required by Directive 2011/65/EU. Components may not be CE marked. Additionally, the part numbers that TE has identified as EU ELV compliant have a maximum concentration of 0.1% by weight in homogenous materials for lead, hexavalent chromium, and mercury, and 0.01% for cadmium, or qualify for an exemption to these limits as defined in the Annexes of Directive 2000/53/EC (ELV). Regarding the REACH Regulation, the information TE provides on SVHC in articles for this part number is based on the latest European Chemicals Agency (ECHA) 'Guidance on requirements for substances in articles' posted at this URL: <https://echa.europa.eu/guidance-documents/guidance-on-reach>

Compatible Parts



TE Part # 881607-2
110 FASTON REC 20-17 AWG TPBR



TE Part # 737107-4
110 FASTON REC 20-17 AWG TPBR



TE Part # 2-2150203-1
OCEAN_2.0_APPLICATOR-E-070F120F



TE Part # 2-2150203-2
OCEAN_2.0_APPLICATOR-E-070F120FA



TE Part # 2150203-1
OCEAN_2.0_APPLICATOR-E-070F120F



TE Part # 2150203-2
OCEAN_2.0_APPLICATOR-E-070F120FA



TE Part # 7-2150203-1
OCEAN_2.0_APPLICATOR-E-070F120F



TE Part # 7-2150203-2
OCEAN_2.0_APPLICATOR-E-070F120FA



KIT
REPRESENTATION ONLY

TE Part # 7-2150203-7
OCEAN_2.0_SPARE_PART_KIT-070F120F



TE Part # 881607-1
110 FASTON REC 20-17 AWG BR

Also in the Series | FASTON 110



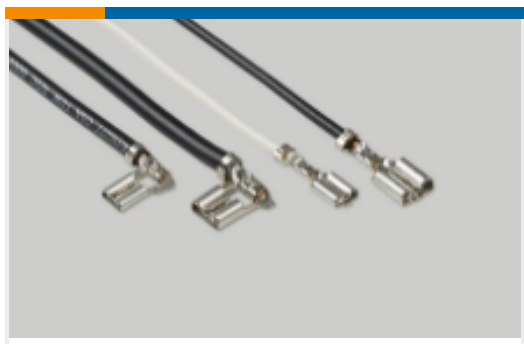
Crimp Terminal Housings(13)



Insertion & Extraction Tools(1)



PCB Terminals(21)



Quick Disconnects(172)

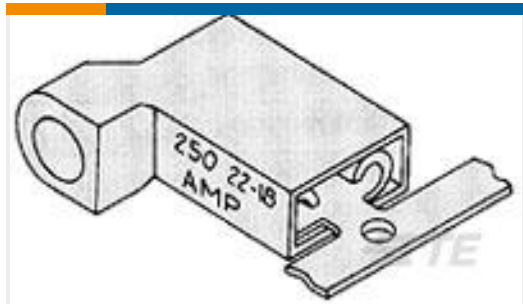
Customers Also Bought



TE Part #1717109-1
0.64 III 16POS PLUG ASSY



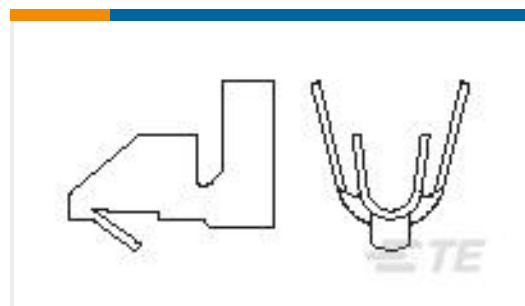
TE Part #770904-4
MINI UMNL SOK CONT 22-18 AWG



TE Part #3-520340-2
ULTRA-FAST 187 ASY REC 16-14 AWG TPBR



TE Part #61375-1
250 FASTON REC 18-14 AWG TPBR



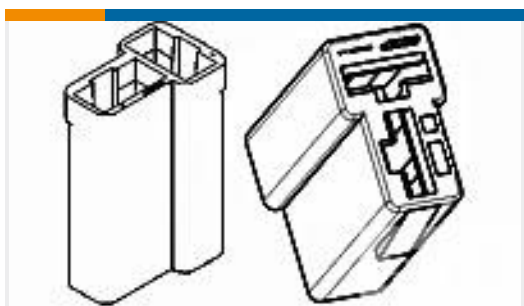
TE Part #3-770565-2
MINI AMP-IN 22-18 AWG LF



TE Part #1670804-1
MCON 2.8 TERMINAL - LL



TE Part #4-745130-5
SHLDING FERRULE,PLTD,BULK PKG



TE Part #1-180907-0
FF 250 REC HSG 2P NYLON NAT

Documents

Product Drawings

[110 FASTON REC 20-18 AWG TPBR](#)

English

CAD Files

[3D PDF](#)

3D

Customer View Model

[ENG_CVM_CVM_5-160555-2_AV_c-5-160555-2-av.2d_dxf.zip](#)

English

Customer View Model

[ENG_CVM_CVM_5-160555-2_AV_c-5-160555-2-av.3d_igs.zip](#)

English

Customer View Model

[ENG_CVM_CVM_5-160555-2_AV_c-5-160555-2-av.3d_stp.zip](#)

English

By downloading the CAD file I accept and agree to the [Terms and Conditions](#) of use.



Product Specifications

[.110, .187 & 250 Series FASTON Terminals](#)

English

[Product Specification](#)

English

Product Environmental Compliance

[TE Material Declaration](#)

English

Agency Approvals

[UL Report](#)

English