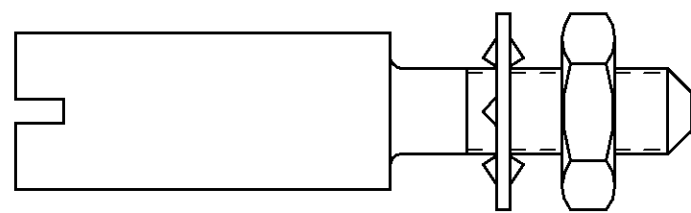
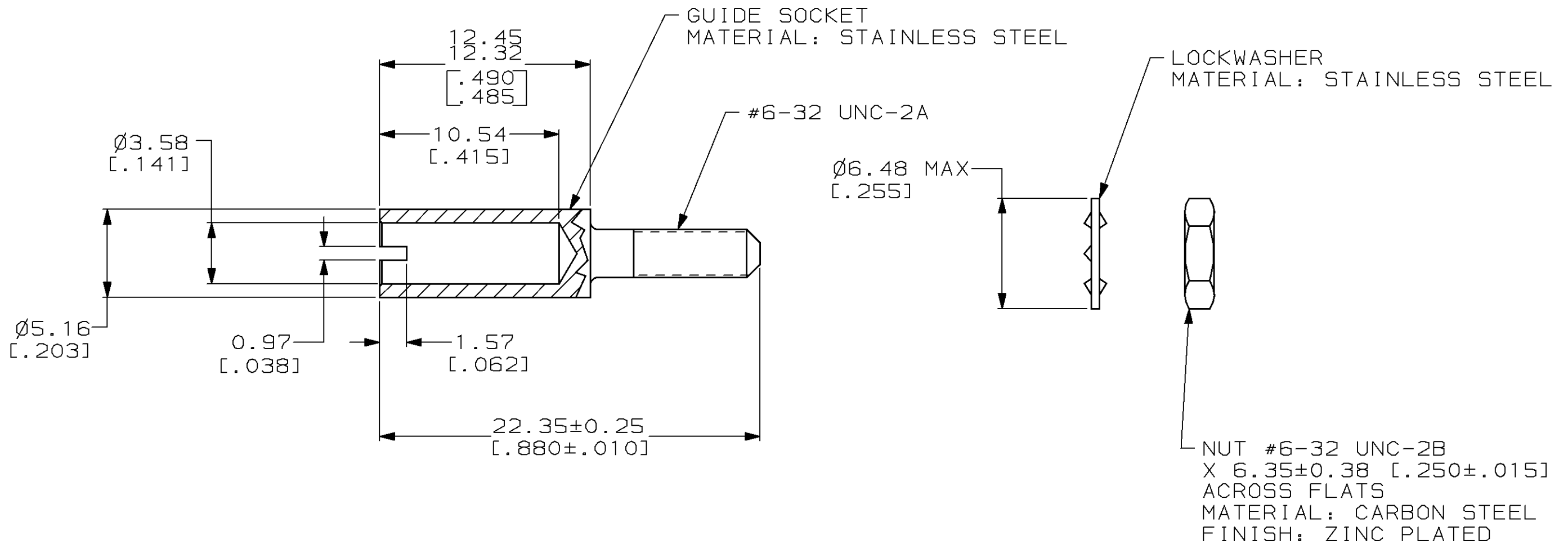


THIS DRAWING IS UNPUBLISHED. RELEASED FOR PUBLICATION, 19 .
 © COPYRIGHT 19 BY AMP INCORPORATED. ALL RIGHTS RESERVED.

LOC	DIST	REVISIONS			
P	LTR	DESCRIPTION	DATE	DWN	APVD
FT	8				
	H	REDRAWN W/O CHANGE PER EC 0020-287-96	03 JUN 96	-	-



ASSEMBLED VIEW

203966-1

PART NUMBER

THIS DRAWING IS A CONTROLLED DOCUMENT.

DIMENSIONS:	TOLERANCES UNLESS OTHERWISE SPECIFIED:
mm [INCHES]	
0 PLC	±-
1 PLC	±-
2 PLC	±0.13 [.005]
3 PLC	±-
4 PLC	±-
ANGLES	±-
MATERIAL	FINISH
SEE CALLOUTS	SEE CALLOUTS

DWN	B. CARBO	03 JUN 96
CHK	R. STONE	18 JUL 96
APVD	G. A. STEINHAUER	24 JUL 96
PRODUCT SPEC		
APPLICATION SPEC		
WEIGHT		
CUSTOMER DRAWING		

AMP AMP Incorporated Harrisburg, PA 17105-3608		
NAME GUIDE SOCKET KIT, CORNER, UNASSEMBLED, MINIATURE RECTANGULAR, 75 & 104 POSITION, M SERIES		
SIZE	CAGE CODE	DRAWING NO
A3	00779	C-203966
SCALE	SHEET	REV
4:1	1 OF 1	H