



Electrical Specifications

Cutoff Frequency (Fc): 18 MHz

Passband: 18-600 MHz

Insertion Loss @ 36MHz: 0.5dB Max.

Passband Return Loss: 15dB Min.

Rejection: 49 dB Min. @ 6.85 MHz

Mechanical

Connector Type: BNC(M) & BNC(F)

Dimensions: 2.5" x 1.125" x 0.75"

Environmental

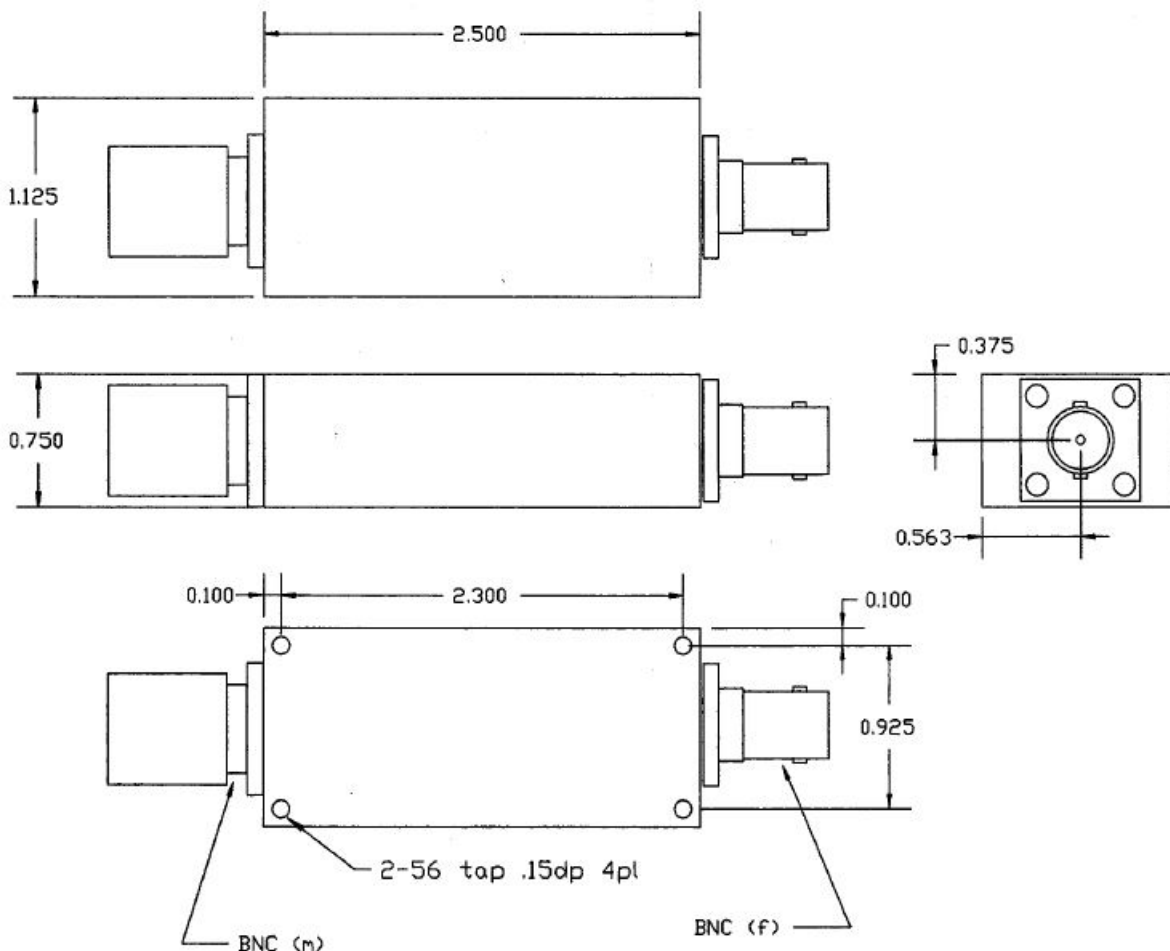
Operating Temperature: -25°C to +70°C

Storage Temperature: -60°C to +90°C

Shock: 10 G. 11ms

Vibration: 10 G. 5 to 200Hz

Outline Drawing:





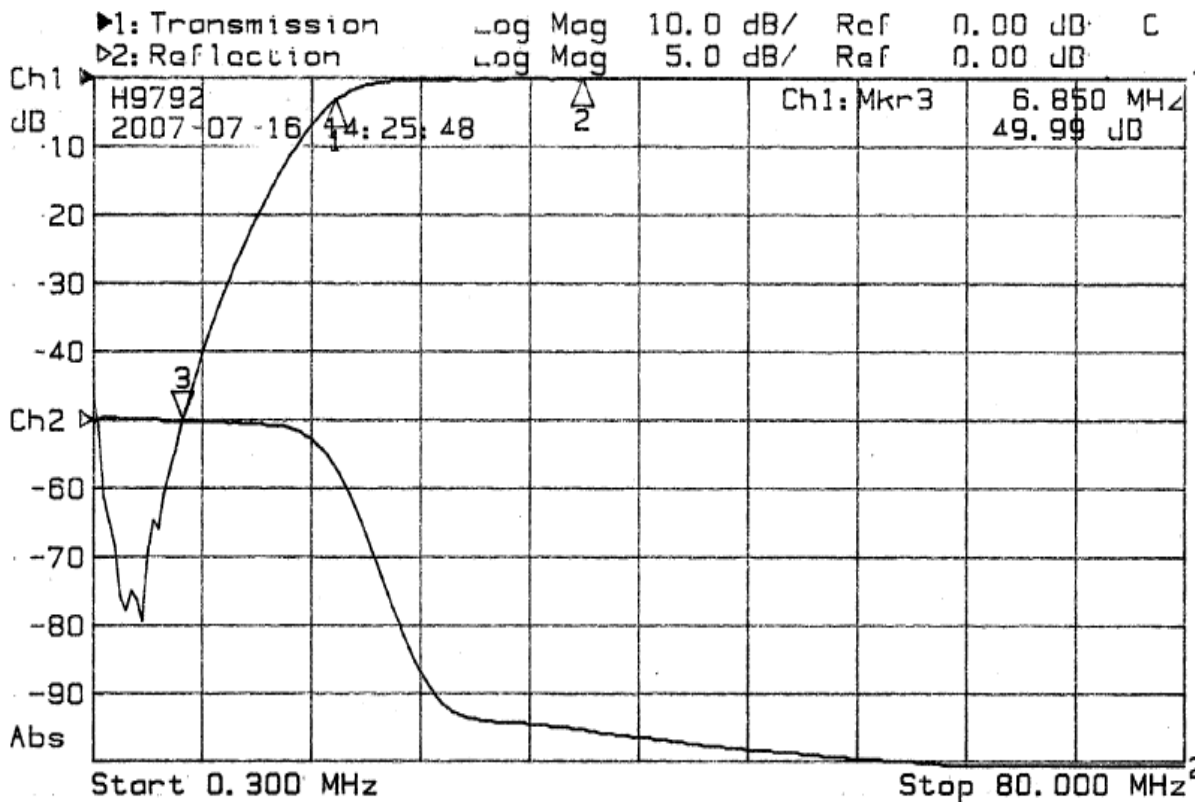
ANATECH ELECTRONICS INC
RF & Microwave Filters & Products

18 MHz LC High Pass Filter

Part Number: AE18H9792



Response Plot :



1: Mkr (MHz)	dB	2: Mkr (MHz)	dB
1:	18.00	-3.23	
2:	36.00	-0.15	
3>	6.85	-49.99	

[Handwritten signature]